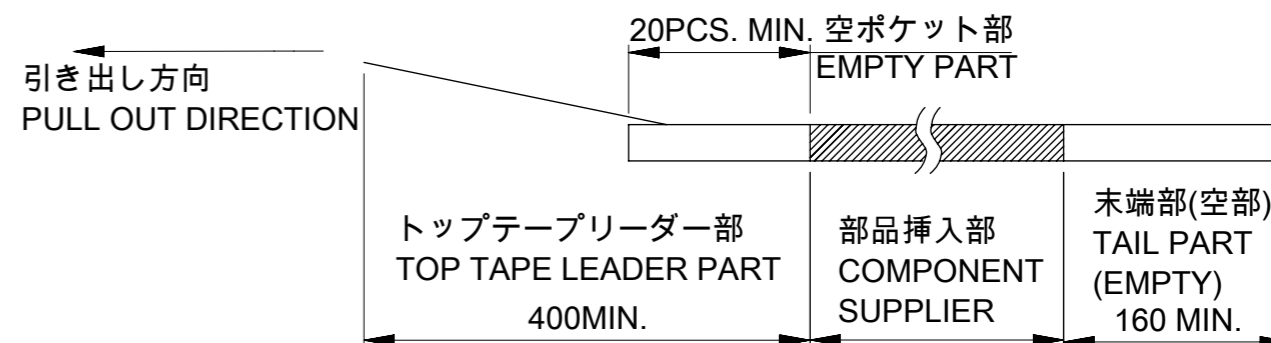


注記 NOTES

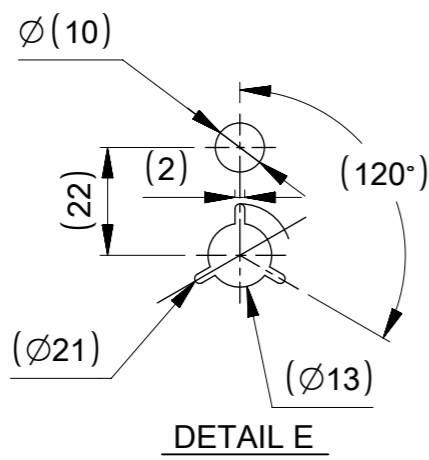
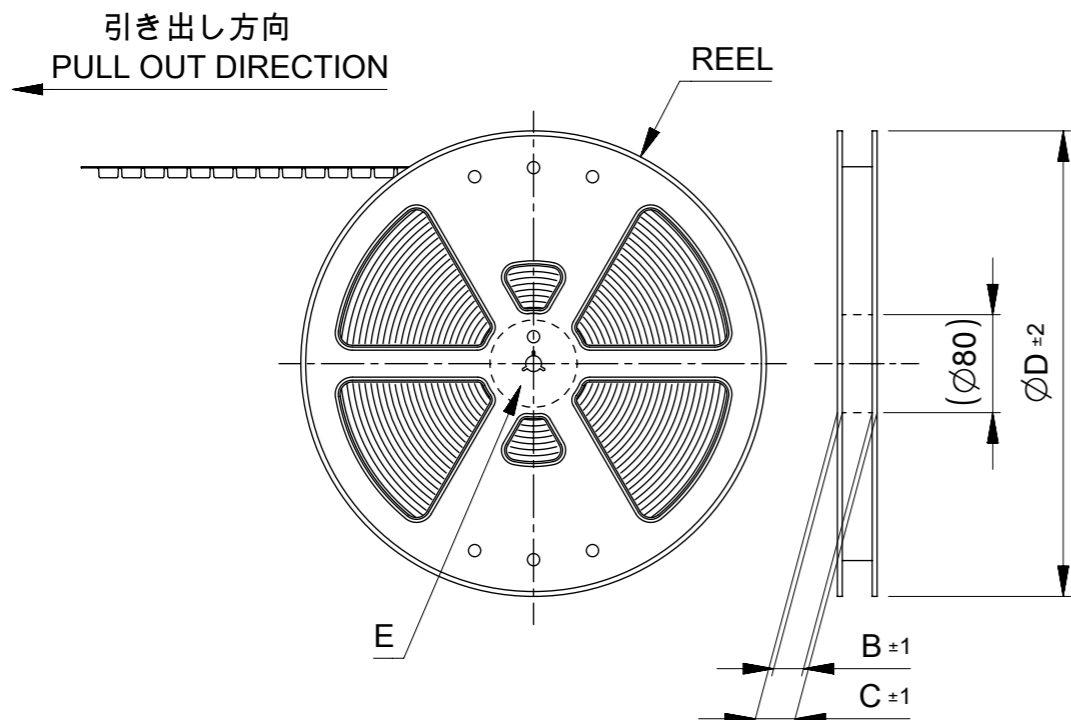
- 製品詳細寸法については製品単体図面を参照下さい。
FOR DETAILED DIMENSION, SEE PRODUCT DRAWING.
- 梱包数量 : 1000個/リール(14CKT), 1500個/リール(20,30,32CKT)
THE NUMBER OF PACKAGED CONNECTORS : 1000 PCS/REEL(14CKT)
: 1500 PCS/REEL(20,30,32CKT)

- リードテープ長さ
LEAD TAPE LENGTH

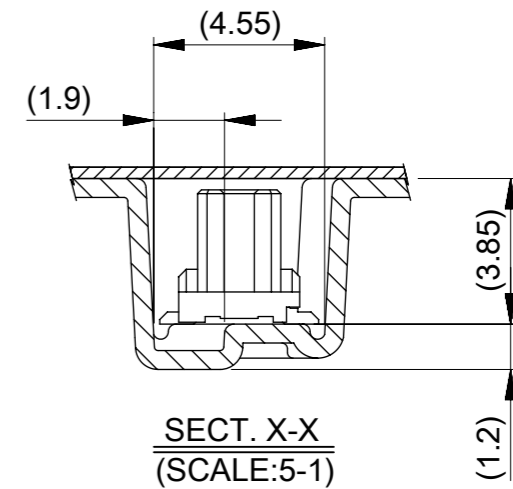
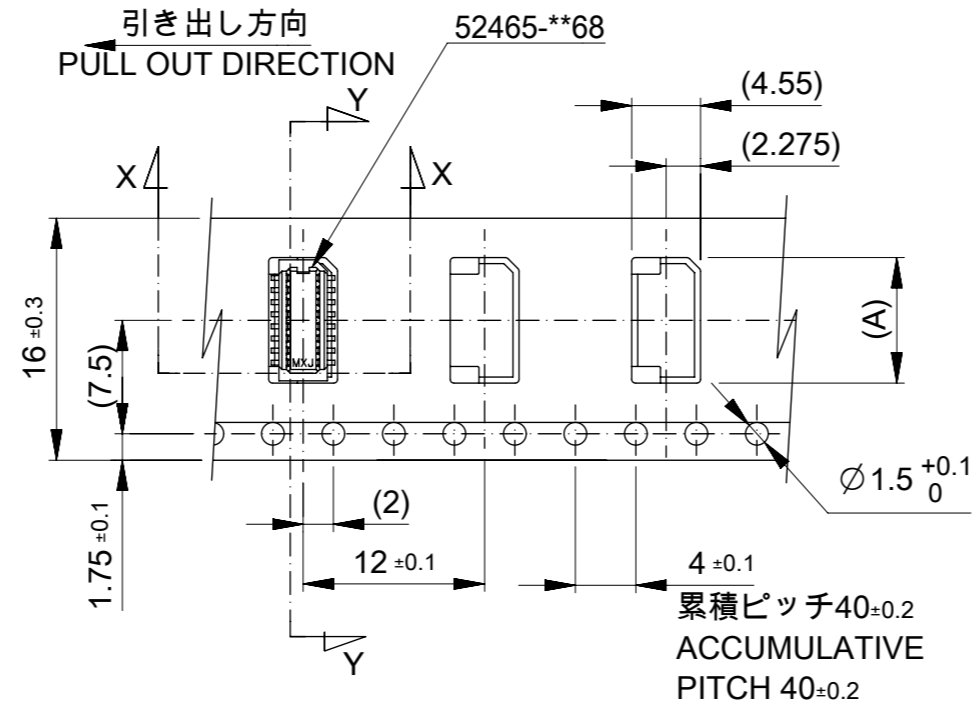
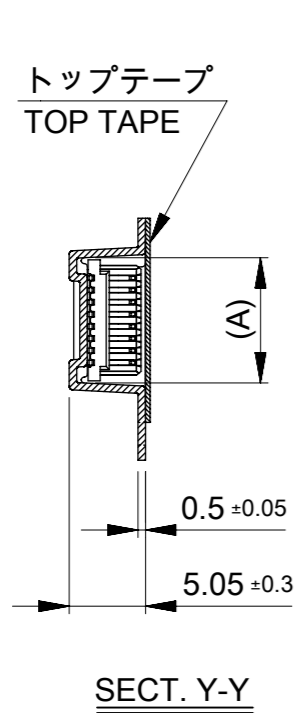


- 材料
MATERIAL
キャリアテープ : ポリプロピレン(PP)
CARRIER TAPE : POLYPROPYLENE (PP)
トップテープ : PET, PE, PEF
TOP TAPE : PET, PE, PEF
リール : ポリスチレン(PS) <リサイクル材含む>
REEL : POLYSTYRENE (PS) <RECYCLE MATERIAL CONTAINED >

- ELV及びRoHS適合品
ELV AND RoHS COMPLIANT.
- トップテープの剥離強度については IEC60286-3 に準拠。
TOP TAPE PEEL FORCE IS DEFINED BY IEC60286-3.



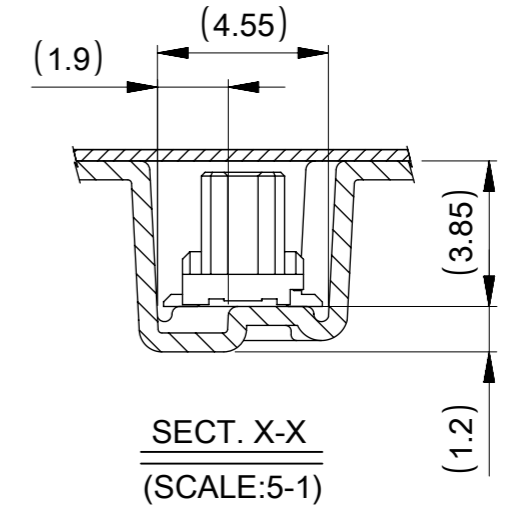
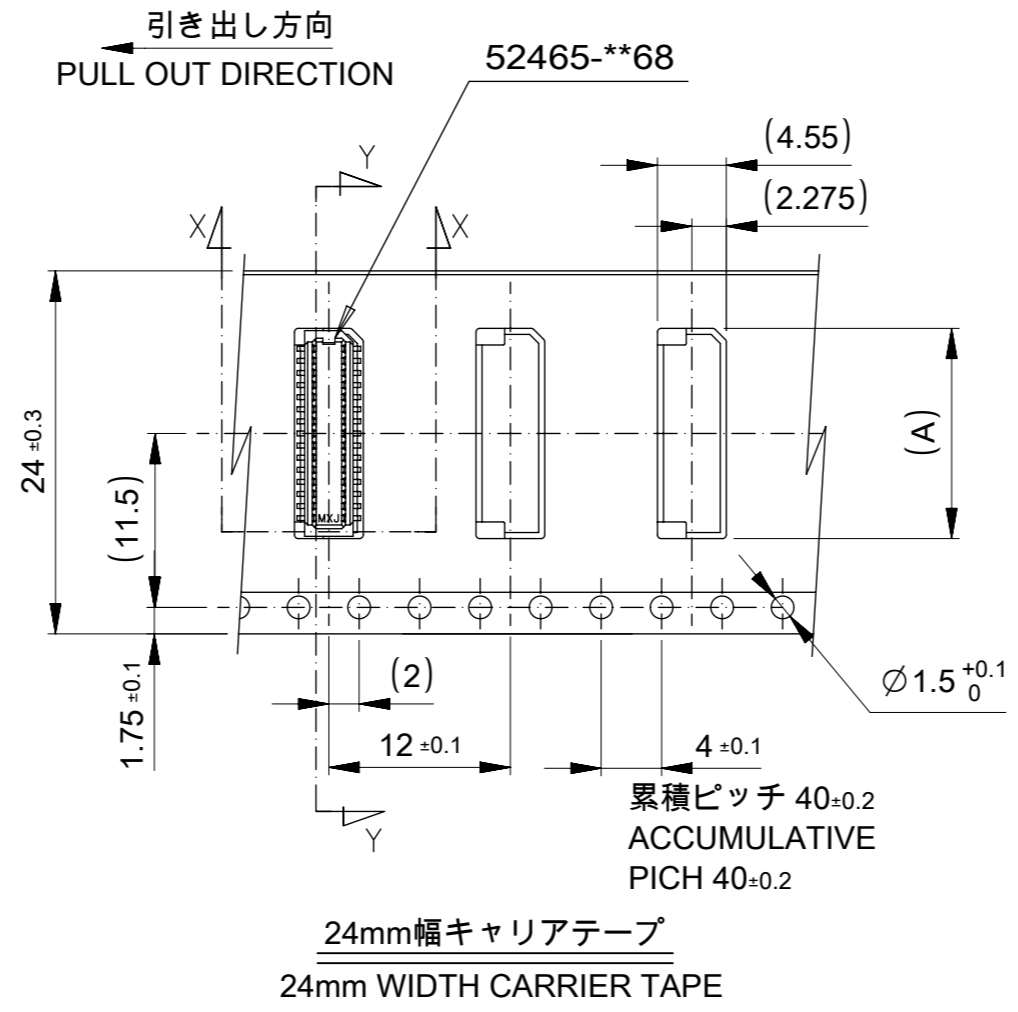
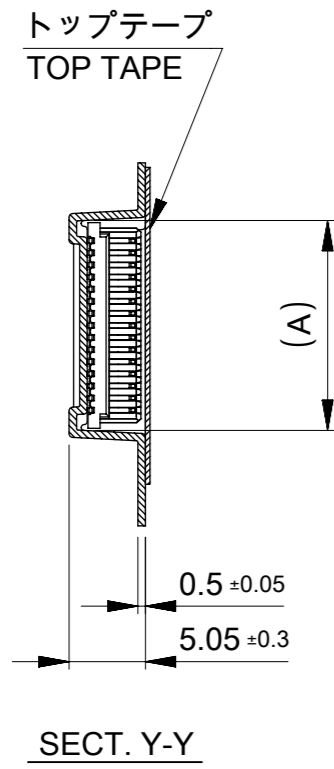
THIS DRAWING CONTAINS INFORMATION THAT IS PROPRIETARY TO MOLEX ELECTRONIC TECHNOLOGIES, LLC AND SHOULD NOT BE USED WITHOUT WRITTEN PERMISSION		CURRENT REV DESC:		molex	
DIMENSION UNITS	SCALE				
mm	NTS			PRODUCT CUSTOMER DRAWING	
GENERAL TOLERANCES (UNLESS SPECIFIED)		EC NO: 656567		DOCUMENT NUMBER	
ANGULAR TOL ±		DRWN: AHMADI2 2021/01/28		524650000	
4 PLACES ±		CHK'D: HSHIMYOYAMA 2021/02/26		DOC TYPE	
3 PLACES ±		APPR: SHOSHIKAWA 2021/02/26		PSD	
2 PLACES ±		INITIAL REVISION:		DOC PART	
1 PLACE ±		DRWN: RMIYAMOTO 2018/07/31		001	
0 PLACES ±		APPR: TKUSUHARA01 2018/08/02		REVISION	
DRAFT WHERE APPLICABLE MUST REMAIN WITHIN DIMENSIONS		THIRD ANGLE PROJECTION	DRAWING	SERIES	SHEET NUMBER
			A3-SIZE	52465	1 OF 3



16mm幅キャリアテープ
16mm WIDTH CARRIER TAPE

16	330	21.4	17.4	7.5	52465-1462	14
キャリアテープ幅 CARRIER TAPE WIDTH	D	C	B	A	EMBOSSED TAPE PACKAGE ORDER NO	極数 CIRCUITS

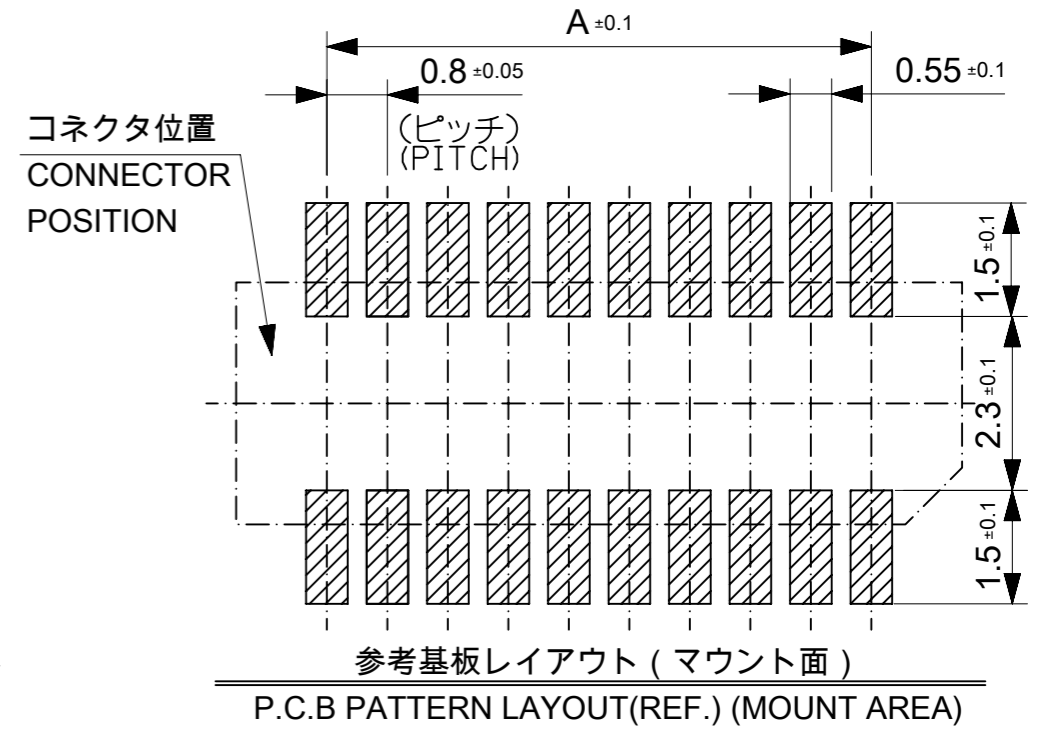
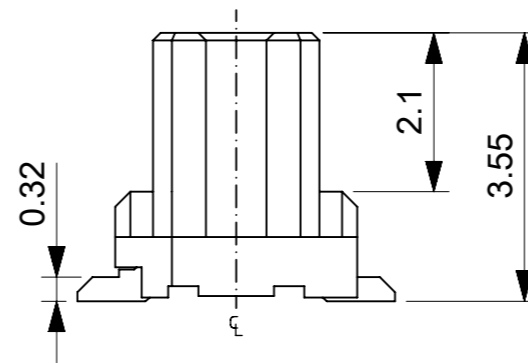
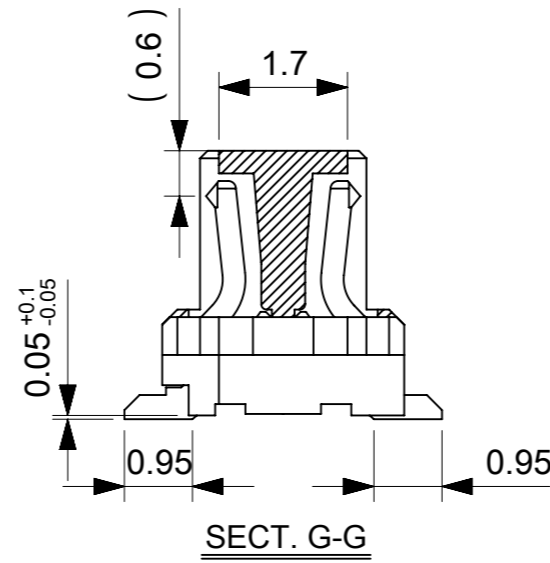
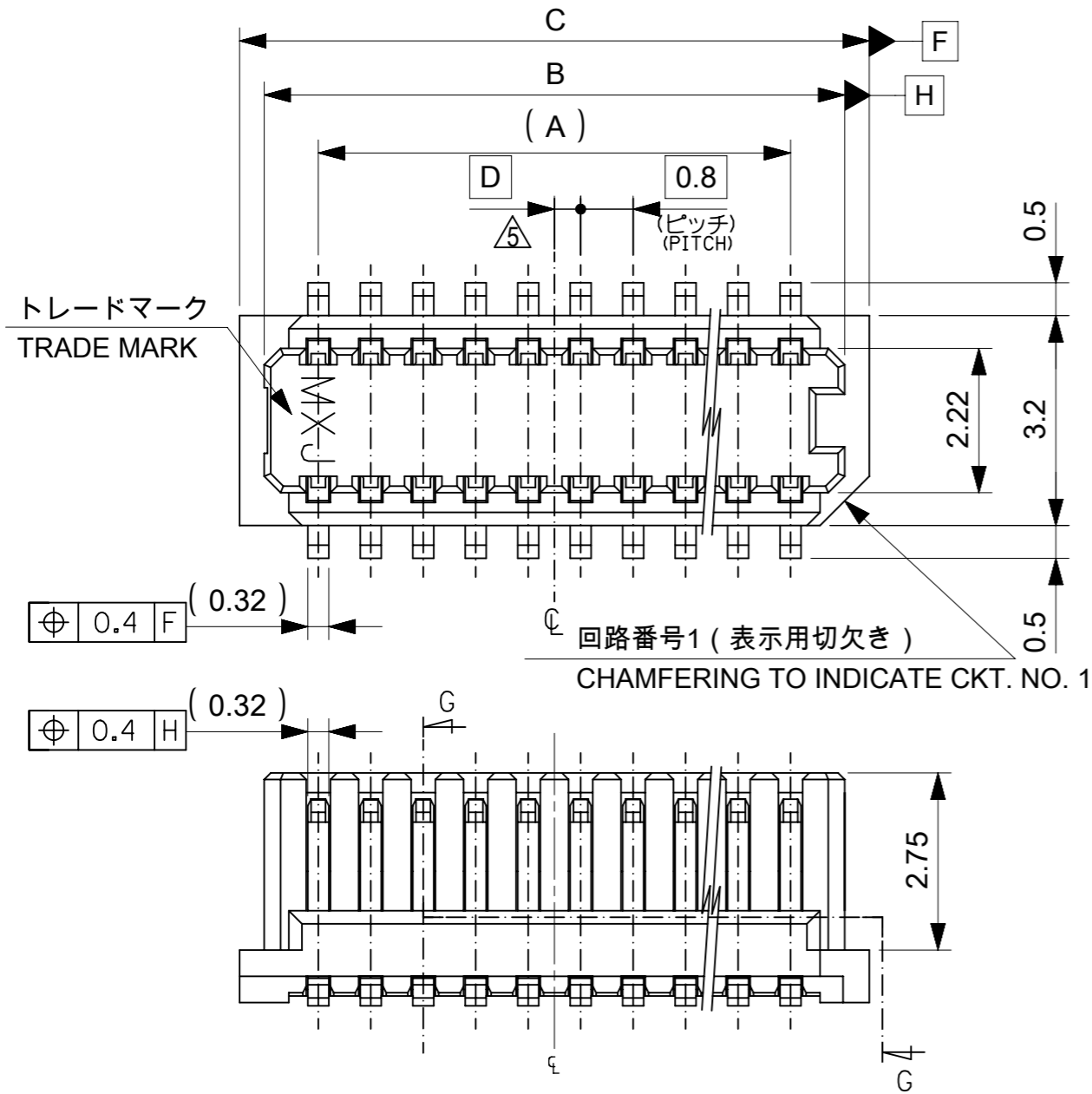
THIS DRAWING CONTAINS INFORMATION THAT IS PROPRIETARY TO MOLEX ELECTRONIC TECHNOLOGIES, LLC AND SHOULD NOT BE USED WITHOUT WRITTEN PERMISSION		CURRENT REV DESC:		molex	
DIMENSION UNITS mm	SCALE NTS				
GENERAL TOLERANCES (UNLESS SPECIFIED)		EC NO: 656567		PRODUCT CUSTOMER DRAWING	
ANGULAR TOL ± °		DRWN: AHMADI2 2021/01/28		DOCUMENT NUMBER	
4 PLACES ±		CHK'D: HSHIMUYAMA 2021/02/26		524650000	
3 PLACES ±		APPR: SHOSHIKAWA 2021/02/26		DOC TYPE	
2 PLACES ±		INITIAL REVISION:		PSD	
1 PLACE ±		DRWN: RMIYAMOTO 2018/07/31		DOC PART	
0 PLACES ±		APPR: TKUSUHARA01 2018/08/02		001	
DRAFT WHERE APPLICABLE MUST REMAIN WITHIN DIMENSIONS		THIRD ANGLE PROJECTION		REVISION	
		DRAWING		C	
		SERIES		SHEET NUMBER	
		A3-SIZE		2 OF 3	
		52465			
		MATERIAL NUMBER		CUSTOMER	
		GENERAL			



24	380	29.4	25.4	14.7	52465-3262	32
				13.9	52465-3062	30
				9.9	52465-2062	20
キャリアテープ幅 CARRIER TAPE WIDTH	D	C	B	A	EMBOSSED TAPE PACKAGE ORDER NO	極数 CIRCUITS

THIS DRAWING CONTAINS INFORMATION THAT IS PROPRIETARY TO MOLEX ELECTRONIC TECHNOLOGIES, LLC AND SHOULD NOT BE USED WITHOUT WRITTEN PERMISSION

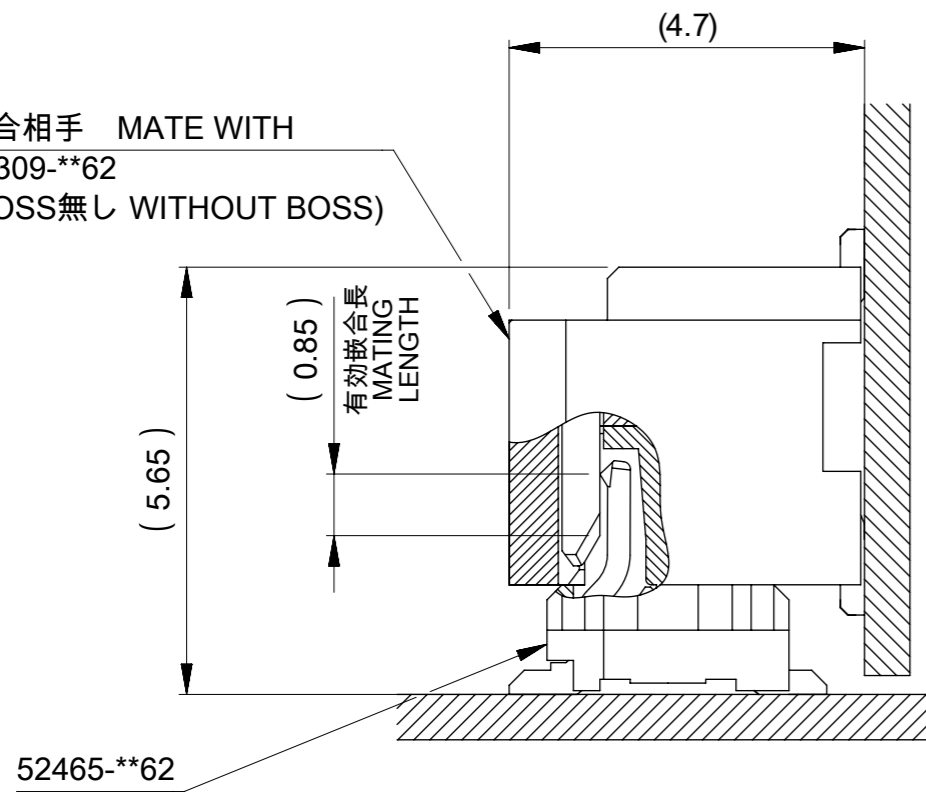
DIMENSION UNITS mm	SCALE NTS	CURRENT REV DESC:	
GENERAL TOLERANCES (UNLESS SPECIFIED)		<p>molex</p> <p>0.8 MM PITCH B-TO-B CONN. RECEPTACLE (WITHOUT BOSS) EMBOSS TAPE PACKAGE</p> <p>PRODUCT CUSTOMER DRAWING</p>	
ANGULAR TOL	±		
4 PLACES	±		
3 PLACES	±		
2 PLACES	±		
1 PLACE	±	EC NO: 656567	2021/01/28
0 PLACES	±	DRWN: AHMADI2	2021/02/26
DRAFT WHERE APPLICABLE MUST REMAIN WITHIN DIMENSIONS		CHK'D: HSHIMOYAMA	2021/02/26
THIRD ANGLE PROJECTION		APPR: SHOSHIKAWA	2021/02/26
DRAWING		INITIAL REVISION:	DOCUMENT NUMBER
A3-SIZE		DRWN: RMIYAMOTO	524650000
SERIES		APPR: TKUSUHARA01	DOC TYPE
52465		2018/07/31	PSD
MATERIAL NUMBER		2018/08/02	DOC PART
CUSTOMER			001
GENERAL			C
SHEET NUMBER			3 OF 3



0.4	14.4	13.65	12.0	52465-3262	32
0.8	13.6	12.85	11.2	52465-3062	30
0.4	9.6	8.85	7.2	52465-2062	20
0.8	7.2	6.45	4.8	52465-1462	14
D	C	B	A	EMBOSSSED TAPE	CKT
				ORDER NO. オーダー番号	極数

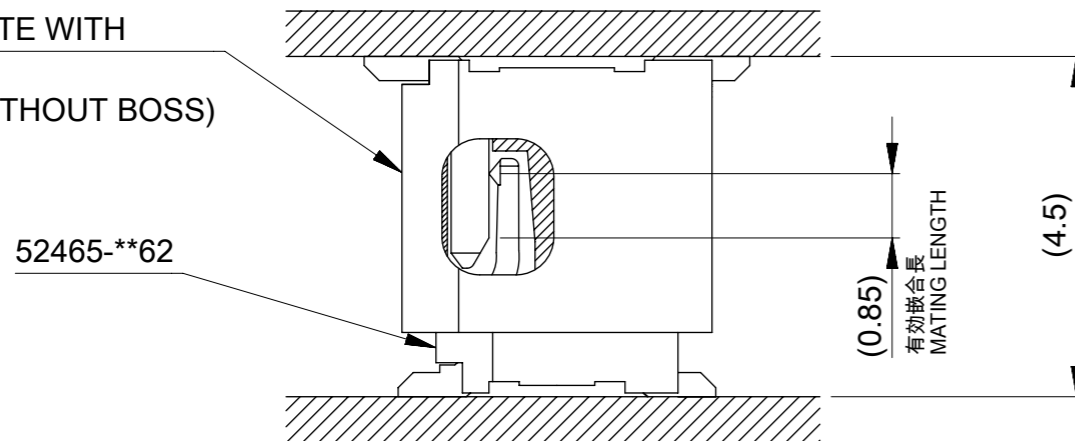
THIS DRAWING CONTAINS INFORMATION THAT IS PROPRIETARY TO MOLEX ELECTRONIC TECHNOLOGIES, LLC AND SHOULD NOT BE USED WITHOUT WRITTEN PERMISSION		CURRENT REV DESC:		molex		
DIMENSION UNITS	SCALE					
mm	NTS			PRODUCT CUSTOMER DRAWING		
GENERAL TOLERANCES (UNLESS SPECIFIED)				DOCUMENT NUMBER		
ANGULAR TOL ± 3.0°				524651000		
4 PLACES ± 0.2		EC NO: 656567		DOC TYPE		
3 PLACES ± 0.2		DRWN: AHMADI2		DOC PART		
2 PLACES ± 0.2		CHK'D: HSHIMUYAMA		REVISION		
1 PLACE ± 0.2		APPR: SHOSHIKAWA		B		
0 PLACES ± 0.2		INITIAL REVISION:				
DRAFT WHERE APPLICABLE MUST REMAIN WITHIN DIMENSIONS		DRWN: RMIYAMOTO				
THIRD ANGLE PROJECTION		APPR: TKUSUHARA01				
DRAWING		SERIES				
A3-SIZE		52465				
MATERIAL NUMBER		CUSTOMER				
GENERAL		GENERAL				
SHEET NUMBER		1 OF 2				

嵌合相手 MATE WITH
53309-**62
(BOSS無し WITHOUT BOSS)



嵌合状態図 (参考)
MATED DRAWING(REF.)

嵌合相手 MATE WITH
53307-**62
(BOSS無し WITHOUT BOSS)



嵌合状態図 (参考)
MATED DRAWING(REF.)

NOTES

- 1 材質
MATERIAL
ハウジング : ポリアミド (PA)、ガラス充填、UL94 V-0、ナチュラル (クリーム)
HOUSING : POLYAMIDE, GLASS FILLED, UL94 V-0, NATURAL (CREAM)
ターミナル : リン青銅 (t=0.32)
TERMINAL : PHOSPHER BRONZE (t=0.32)
- 2 メッキ仕様
PLATING
コンタクト部 : 部分金メッキ (0.1マイクロメートル以上)
CONTACT AREA : SEPARATED GOLD PLATING (0.1 MICRO METER MINIMUM)
テール部 : 部分金メッキ
TAIL AREA : SEPARATED GOLD PLATING
下地メッキ : ニッケルメッキ (1.0マイクロメートル以上)
UNDER-PLATING : NICKEL (1.0 MICRO METER MINIMUM)
- 3 嵌合相手 : 53307シリーズ (14CKT), 53309シリーズ (20,30,32CKT)
MATES WITH 53307 SERIES (14CKT), 53309 SERIES (20,30,32CKT)
- 4 テール平坦度は0.1以下
TAIL COPLANALITY TO BE 0.1 MAXIMUM.
- △5 ハウジングのCLから隣接するターミナルのCLまでの位置とする。
SHOW POSITION FROM CL OF HOUSING TO CL OF ADJUSTMENT TERMINALS.
- 6 一对の基板の嵌合において、本製品を2個以上使用することはできません。
MXJ DOES NOT RECOMMEND THE USAGE OF TWO OR MORE OF THESE CONNECTORS BETWEEN A SINGLE PAIR OF P.C.BOARD.
- 7 ELV及びRoHS適合品
ELV AND RoHS COMPLIANT.

THIS DRAWING CONTAINS INFORMATION THAT IS PROPRIETARY TO MOLEX ELECTRONIC TECHNOLOGIES, LLC AND SHOULD NOT BE USED WITHOUT WRITTEN PERMISSION		CURRENT REV DESC:		molex	
DIMENSION UNITS	SCALE				
mm	NTS			0.8 MM PITCH B-TO-B CONN. RECEPTACLE (WITHOUT BOSS)	
GENERAL TOLERANCES (UNLESS SPECIFIED)				PRODUCT CUSTOMER DRAWING	
ANGULAR TOL	± 3.0 °			DOCUMENT NUMBER	
4 PLACES	± 0.2	EC NO: 656567		524651000	
3 PLACES	± 0.2	DRWN: AHMADI2 2021/01/28		DOC TYPE	
2 PLACES	± 0.2	CHK'D: HSHIMUYAMA 2021/02/26		PSD	
1 PLACE	± 0.2	APPR: SHOSHIKAWA 2021/02/26		DOC PART	
0 PLACES	± 0.2	INITIAL REVISION:		001	
DRAFT WHERE APPLICABLE MUST REMAIN WITHIN DIMENSIONS		DRWN: RMIYAMOTO 2018/07/31		REVISION	
THIRD ANGLE PROJECTION		APPR: TKUSUHARA01 2018/08/02		B	
DRAWING		SERIES		SHEET NUMBER	
A3-SIZE		52465		2 OF 2	
MATERIAL NUMBER		CUSTOMER			
		GENERAL			