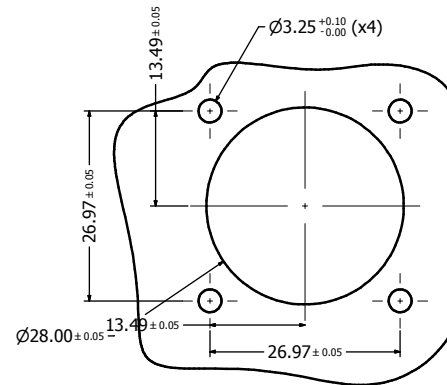
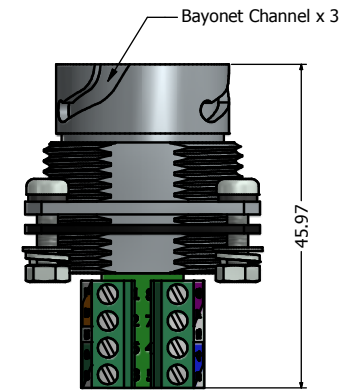


Recommended Double-D Panel Cutout



Recommended Round Panel Cutout

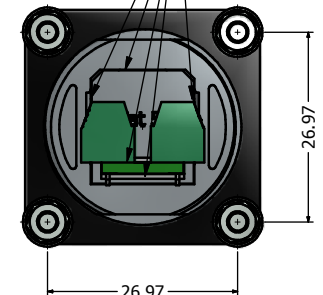
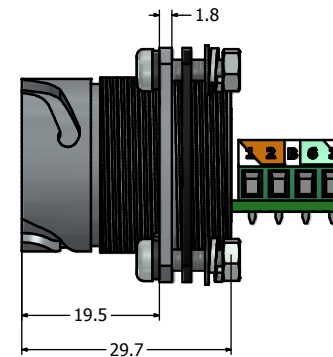
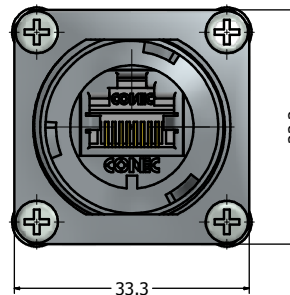


Notes:

- Electrical Specifications:
 - Meets EIA/TIA-568-B.2 Cat.5e Specification
 - Contact Resistance: 20 mOhm max.
 - Insulation Resistance: 500MOhm min. @ 100 VDC
 - Current Rating: 1.2A max. at 25°C
 - Working Voltage: 100 VDC
 - DWV: 1000 VDC/60s Contact to Contact, 1500 VDC/60s Contact to Metal Shell
 - Operating Temperature: -40°C to +85°C
- Material and Finish:
 - Receptacle Housing (with Flange): Zinc Die-Cast, Finish: Nickel Plated
 - RJ45 Jack Metal Shell: Copper Alloy, Nickel Plated
 - RJ45 Jack Plastic Housing: Glass filled PBT UL94 V-0, Color: Black
 - RJ45 Jack Contacts: Phosphor Bronze, Finish: 50u" Gold min. over Nickel
 - Terminal Block Insulator: Polyamide, UL94 V-0 Rated
 - Terminal: Brass, Tin Plated
 - Gage Clamp: Brass, Tin Plated
 - M2 Screw: Steel, Zinc Plated
 - Panel Gasket: NBR, Color: Black
 - M3 Mounting Hardware: Stainless Steel

Includes 4 x (Screw + Nut + Flat Washer + Spring Lock Washer)
- Connector can be front or rear mounted to a maximum panel thickness of 3.2mm.
- IP67 rated when covered or fully mated with the appropriate mating connector
- Hardware shipped unassembled
- Recommended M3 screw mounting torque: 8 to 10 lb-inch

Sealed with Sealing Compound, provides IP67 even when uncovered (For potted version only)



Directive 2002/95/EC RoHS Compliant

Description	Part Number
Nickel Plated Zinc Die-Cast with Cat5e RJ45 Jack with Terminal Block	17-111134
Potted Nickel Plated Zinc Die-Cast with Cat5e RJ45 Jack with Terminal Block	17-111144

THIS DRAWING MAY NOT BE COPIED OR REPRODUCED IN ANY WAY AND MAY NOT BE PASSED ON TO A THIRD PARTY WITHOUT WRITTEN PERMISSION. OWNERSHIP AND COPYRIGHT OF CONEC CORPORATION. DO NOT ALTER CAD DRAWING BY HAND	Customer:		Tolerance Unless otherwise specified 0 PLC ±0.30 1 PLC ±0.20 2 PLC ±0.10 3 PLC ±0.05 ANGLES ±1°		Scale:	Dim. in mm	
	Name	Title			Approval Date	Material: See Notes	
				2012	Date	Name	Cat. 5e RJ45 + Terminal Block Receptacle (with Flange) Assembly Kit Nickel Plated Zinc Die-Cast Version
				Draw.	Nov. 22	Vincent Ke	
				Appd.	Nov. 22	J. Chaudry	
				Norm		Drawing No.: 17K1A382	DIN A3
	b	1 x b	Mar/07/2013	Vincent Ke		Part No.: SEE PART NUMBER TABLE	Sheet 1/1
	a	original					
	Rev.	Changes	Date	Name			