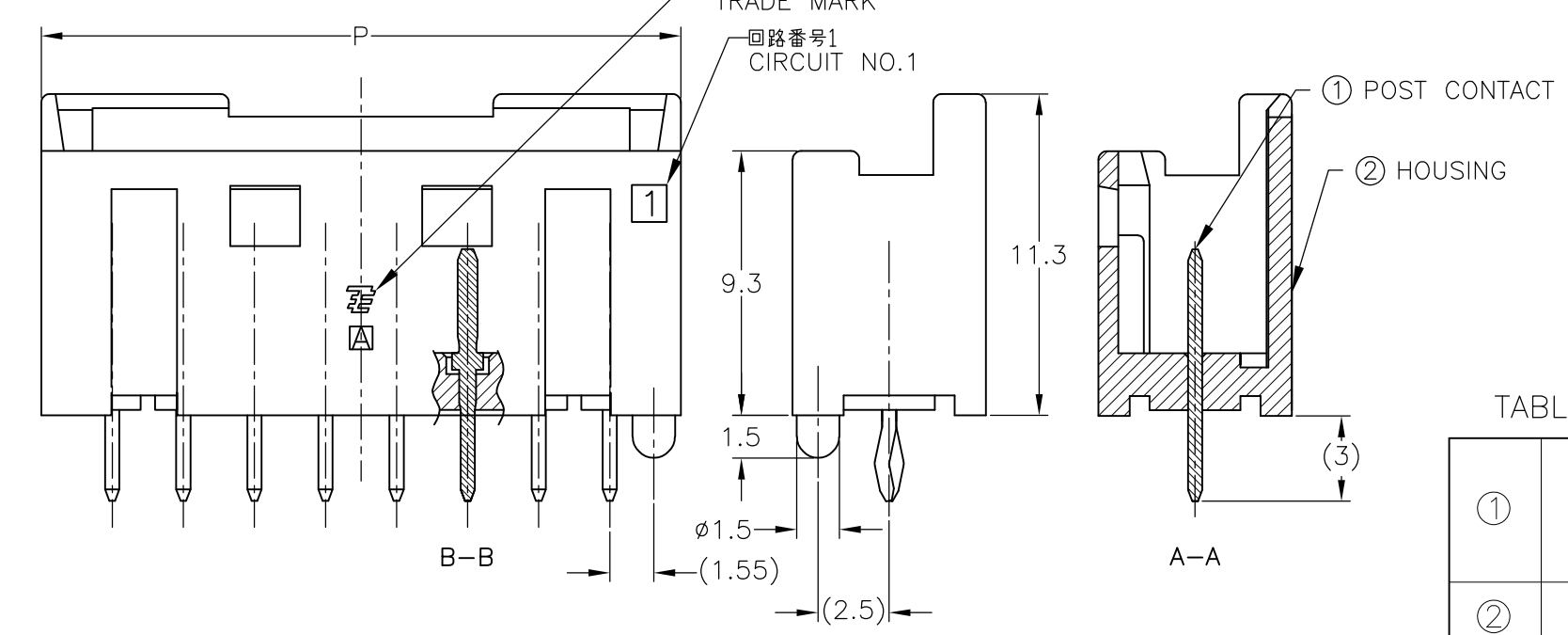
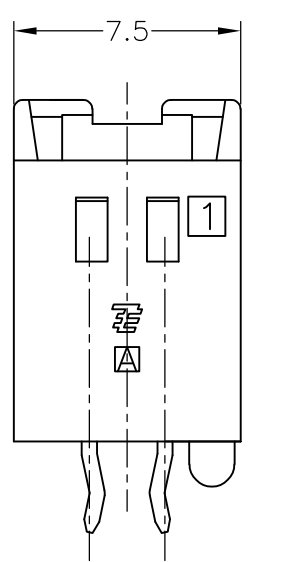
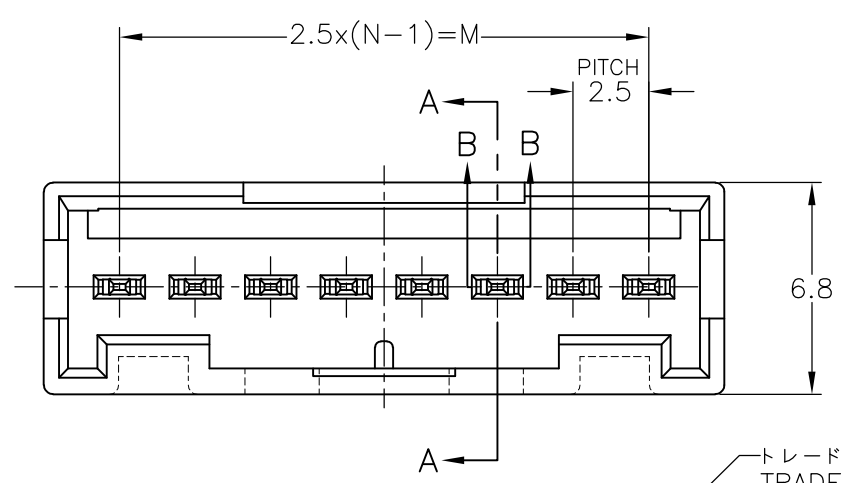
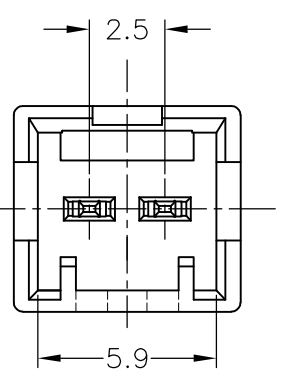


THIS DRAWING IS UNPUBLISHED. RELEASED FOR PUBLICATION JUN, 2004.
 © COPYRIGHT 2004 BY TYCO ELECTRONICS CORPORATION. ALL INTERNATIONAL RIGHTS RESERVED.

| LOC | DIST | REVISIONS | | | | | |
|-----|------|-----------|---------|---------------|-----------|-----|------|
| J | / | P | LTR | DESCRIPTION | DATE | DWN | APVD |
| | | D1 | REVISED | ECR-10-019260 | 16SEP2010 | T.T | T.M |

-1747067-; AS SHOWN

(2極)
(2 POS)



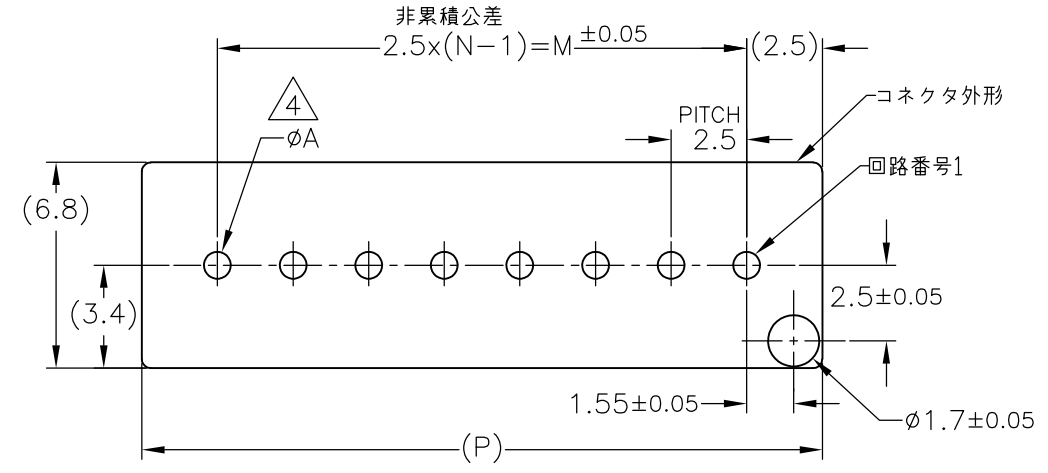
- 1 一般公差: ±0.3, ±3°
- 2 材料: TABLE 1参照のこと
- 3 かん合相手製品型番: 表参照のこと。(SHEET 2)
- ④ 適用基板穴径: φA
パンチ加工穴: 0.7+0.1
ドリル加工穴: 0.9±0.05

- 1 GENERAL TOLERANCE: ±0.3, ±3°
- 2 MATERIAL: SEE TABLE 1
- 3 MATING CONN. P/N: SEE TABLE (SHEET 2)
- ④ APPLICABLE P.C.B. HOLE DIA: φA
PUNCHED HOLE: 0.7+0.1
DRILLED HOLE: 0.9±0.05

TABLE 1

| NO. 項番 | NAME 名称 | MATERIAL 材料 |
|-----------|--------------------------|--|
| ① | POST CONTACT ポストコンタクト | BRASS, FINISH: CONTACT POINT Au, TINE Tin, OVER Ni 黄銅 下地: Niめっき、 仕上: 接触部金めっき、 タイン部錫めっき |
| ② | HDR HOUSING ヘッダーハウジング | 66NYLON GF UL94V-0 66ナイロン・ガラス強化 UL94V-0 |

基板取付穴寸法 2P~8P



型番はシート 2 枚目参照
FOR PART NO. SEE SHEET 2 OF 2

| | | | | |
|---|--|--|---|-----------------|
| THIS DRAWING IS A CONTROLLED DOCUMENT. | | DWN T.HATANO 09JUN2004 | Tyco Electronics Corporation Kawasaki, Japan | |
| DIMENSIONS: 単位: 耗 mm | | CHK A.OISHI 09JUN2004 | NAME N.YAMASAKI | |
| TOLERANCES UNLESS OTHERWISE SPECIFIED: 一般公差 | | APVD N.YAMASAKI 09JUN2004 | PRODUCT SPEC 製品規格 108-5992 | |
| 0 PLC ±- | | APPLICATION SPEC 取付適用規格 114-5359 | | |
| 1 PLC ±- | | WEIGHT | | |
| 2 PLC ±- | | SIZE A3 | | |
| 3 PLC ±- | | CAGE CODE 00779 | | |
| 4 PLC ±- | | DRAWING NO G-1747067 | | |
| ANGLES ±- | | RESTRICTED TO | | |
| MATERIAL 材料 SEE TABLE 1 | | FINISH 仕上 | | |
| CUSTOMER DRAWING | | SCALE 尺度 4:1 | | SHEET 1 OF 2 |
| | | | | REV D1 |

THIS DRAWING IS UNPUBLISHED. RELEASED FOR PUBLICATION JUN, 2004.
 © COPYRIGHT 2004 BY TYCO ELECTRONICS CORPORATION. ALL INTERNATIONAL RIGHTS RESERVED.

| LOC | DIST | REVISIONS 変更 | | | | | |
|-----|------|-----------------|-----|-------------|------|-----|------|
| J | / | P | LTR | DESCRIPTION | DATE | DWN | APVD |
| | | - | | SEE SHEET 1 | - | - | - |

| Part No. | Pin 8 | Pin 7 | Pin 6 | Pin 5 | Pin 4 | Pin 3 | Pin 2 | Pin 1 | Circuit No. | Remarks | HSG POS. | M | N | P | BOSS | COLOR | POS | PITCH | P/N | |
|-------------|-------|-------|-------|-------|-------|-------|-------|-------|--|---------|----------|-----|------|-----|------|---------|---------|-------|-----------|-------------|
| X-1747066-6 | X | X | * | - | - | * | - | * | 本コネクタは 5P ヘッダーハウジングの回路 No.1,3,6 にポストコンタクトをアセンブリする。 | 6 | | | 12.5 | 6 | 17.5 | WITH | NATURAL | 3 | 7.5,5.0 | 2069907-1 |
| X-1747066-5 | X | X | X | * | * | - | - | * | 本コネクタは 5P ヘッダーハウジングの回路 No.1,4,5 にポストコンタクトをアセンブリする。 | 5 | | | 10 | 5 | 15.0 | ▲ | NATURAL | 3 | 7.5,2.5 | 1827738-1 |
| X-1747066-7 | X | * | * | * | * | - | - | * | 本コネクタは 7P ヘッダーハウジングの回路 No.1,4,5,6,7 にポストコンタクトをアセンブリする。 | 7 | | | 15 | 7 | 20.0 | | NATURAL | 5 | # | 1747509-1 |
| X-1747066-5 | X | X | X | * | - | * | - | * | 本コネクタは 5P ヘッダーハウジングの回路 No.1,3,5 にポストコンタクトをアセンブリする。 | 5 | | | 10 | 5 | 15.0 | | NATURAL | 3 | 5 | 1747661-1 |
| X-1747066-3 | X | X | X | X | X | * | - | * | 本コネクタは 3P ヘッダーハウジングの回路 No.1,3 にポストコンタクトをアセンブリする。 | 3 | | | 5 | 3 | 10.0 | | NATURAL | 2 | 5 | 1747508-1 |
| X-1747066-8 | * | * | * | * | * | * | * | * | | 8 | | | 17.5 | 8 | 22.5 | | YELLOW | 8 | 2.5 | 3-1747067-8 |
| | * | * | * | * | * | * | * | * | | 8 | | | 17.5 | 8 | 22.5 | | BLUE | 8 | ▲ | 2-1747067-8 |
| | * | * | * | * | * | * | * | * | | 8 | | | 17.5 | 8 | 22.5 | | RED | 8 | | 1-1747067-8 |
| | * | * | * | * | * | * | * | * | | 8 | | | 17.5 | 8 | 22.5 | | NATURAL | 8 | | 1747067-8 |
| X-1747066-7 | X | * | * | * | * | * | * | * | | 7 | | | 15 | 7 | 20.0 | | YELLOW | 7 | | 3-1747067-7 |
| | X | * | * | * | * | * | * | * | | 7 | | | 15 | 7 | 20.0 | | BLUE | 7 | | 2-1747067-7 |
| | X | * | * | * | * | * | * | * | | 7 | | | 15 | 7 | 20.0 | | RED | 7 | | 1-1747067-7 |
| | X | * | * | * | * | * | * | * | | 7 | | | 15 | 7 | 20.0 | | NATURAL | 7 | | 1747067-7 |
| X-1747066-6 | X | * | * | * | * | * | * | * | | 6 | | | 12.5 | 6 | 17.5 | | YELLOW | 6 | | 3-1747067-6 |
| | X | * | * | * | * | * | * | * | | 6 | | | 12.5 | 6 | 17.5 | | BLUE | 6 | | 2-1747067-6 |
| | X | * | * | * | * | * | * | * | | 6 | | | 12.5 | 6 | 17.5 | | RED | 6 | | 1-1747067-6 |
| | X | * | * | * | * | * | * | * | | 6 | | | 12.5 | 6 | 17.5 | | NATURAL | 6 | | 1747067-6 |
| X-1747066-5 | X | * | * | * | * | * | * | * | | 5 | | | 10 | 5 | 15.0 | | YELLOW | 5 | | 3-1747067-5 |
| | X | * | * | * | * | * | * | * | | 5 | | | 10 | 5 | 15.0 | | BLUE | 5 | | 2-1747067-5 |
| | X | * | * | * | * | * | * | * | | 5 | | | 10 | 5 | 15.0 | | RED | 5 | | 1-1747067-5 |
| | X | * | * | * | * | * | * | * | | 5 | | | 10 | 5 | 15.0 | | NATURAL | 5 | | 1747067-5 |
| X-1747066-4 | X | * | * | * | * | * | * | * | | 4 | | | 7.5 | 4 | 12.5 | | YELLOW | 4 | | 3-1747067-4 |
| | X | * | * | * | * | * | * | * | | 4 | | | 7.5 | 4 | 12.5 | | BLUE | 4 | | 2-1747067-4 |
| | X | * | * | * | * | * | * | * | | 4 | | | 7.5 | 4 | 12.5 | | RED | 4 | | 1-1747067-4 |
| | X | * | * | * | * | * | * | * | | 4 | | | 7.5 | 4 | 12.5 | | NATURAL | 4 | | 1747067-4 |
| X-1747066-3 | X | * | * | * | * | * | * | * | | 3 | | | 5 | 3 | 10.0 | | YELLOW | 3 | | 3-1747067-3 |
| | X | * | * | * | * | * | * | * | | 3 | | | 5 | 3 | 10.0 | | BLUE | 3 | | 2-1747067-3 |
| | X | * | * | * | * | * | * | * | | 3 | | | 5 | 3 | 10.0 | | RED | 3 | | 1-1747067-3 |
| | X | * | * | * | * | * | * | * | | 3 | | | 5 | 3 | 10.0 | | NATURAL | 3 | | 1747067-3 |
| X-1747066-2 | X | * | * | * | * | * | * | * | | 2 | | | 2.5 | 2 | 7.5 | | BLACK | 2 | | 4-1747067-2 |
| | X | * | * | * | * | * | * | * | | 2 | | | 2.5 | 2 | 7.5 | | YELLOW | 2 | | 3-1747067-2 |
| | X | * | * | * | * | * | * | * | | 2 | | | 2.5 | 2 | 7.5 | | BLUE | 2 | | 2-1747067-2 |
| | X | * | * | * | * | * | * | * | | 2 | | | 2.5 | 2 | 7.5 | ▼ | RED | 2 | ▼ | 1-1747067-2 |
| X | * | * | * | * | * | * | * | | 2 | | | 2.5 | 2 | 7.5 | WITH | NATURAL | 2 | 2.5 | 1747067-2 | |

| | | | | | | | | | | | | | |
|--|-----------------|--------------------|--|---------------------|--|---|--|--------------|------------|---------------|--------------|-----------|--|
| 嵌合相手型番 MATING CONN P/N | 8 7 6 5 4 3 2 1 | 回路 NO. CIRCUIT NO. | 備考 REMARKS | ハウジング極数 HSG POS. | M | N | P | ボス BOSS | 色 COLOR | 極数 POS | ピッチ PITCH | 型番 P/N | |
| ポストコンタクト位置 * : ポストコンタクト - : ピン抜き POST CONTACT POSITION * : POST CONTACT - : VACANCY | | | THIS DRAWING IS A CONTROLLED DOCUMENT. DIMENSIONS: 単位: 耗 mm TOLERANCES UNLESS OTHERWISE SPECIFIED: 一般公差 0 PLC ±- 1 PLC ±- 2 PLC ±- 3 PLC ±- 4 PLC ±- ANGLES ±- | | DWN T.HATANO 09JUN2004 CHK A.OISHI 09JUN2004 APVD N.YAMASAKI 09JUN2004 PRODUCT SPEC 製品規格 108-5992 APPLICATION SPEC 取付適用規格 114-5359 WEIGHT | | Tyco Electronics Corporation Kawasaki, Japan NAME 名称 GRACE INERTIA CONNECTOR 2.5 HDR ASSY SIZE A3 CAGE CODE 00779 DRAWING NO 番号 G-1747067 | | | RESTRICTED TO | | | |
| MATERIAL 材料 FINISH 仕上 | | | | CUSTOMER DRAWING | | | | SCALE 尺度 NTS | | SHEET 2 OF 2 | | REV D1 | |