

MATERIALS AND FINISHES

NOTE: PACKAGING BY PLASTIC BAG

MCX PLUG CONNECTOR:
SEE SD-73366-002

BODY: ZINC ALLOY
PLATED NICKEL

CENTER CONTACT: BRASS
PLATED GOLD

OUTER CONTACT: BERYLLIUM COPPER
PLATED GOLD

FERRULE: BRASS
PLATED NICKEL

INSULATOR: PTFE

HEAT SHRINK TUBE: VERSAFIT BLACK

CABLE : RG316/U OR EQUIVALENT

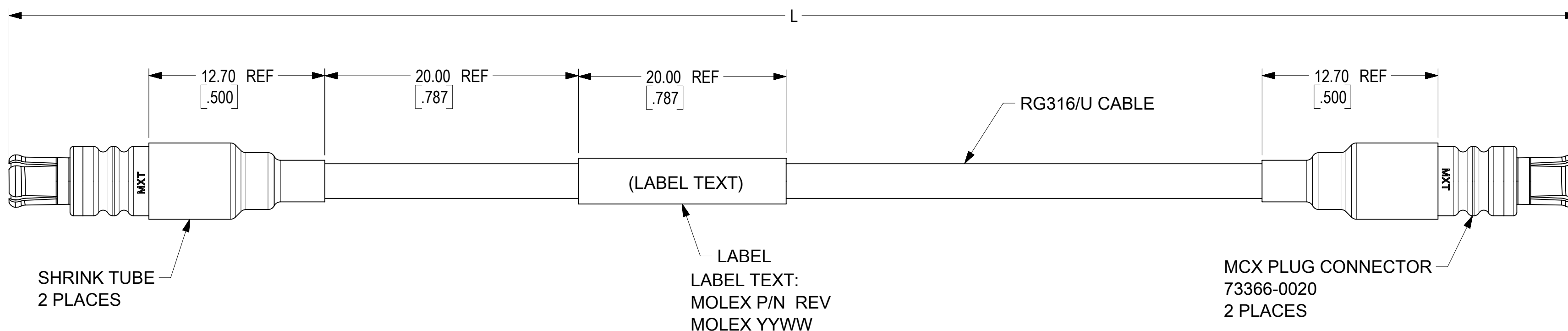
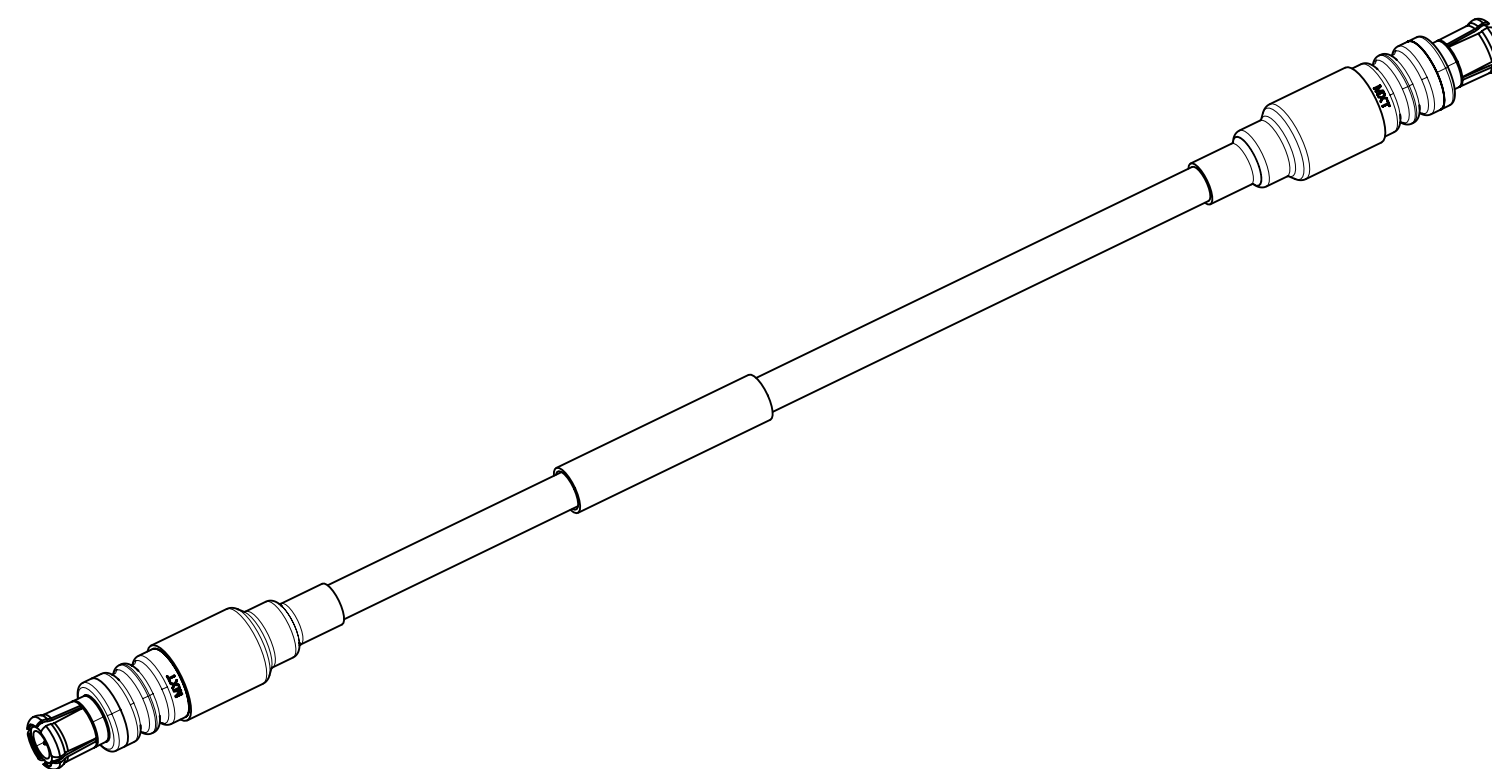


TABLE 1:

| | |
|---------------|---------------|
| CECC-22220 | MCX INTERFACE |
| SPECIFICATION | DESCRIPTION |

TABLE 2:

| | | |
|------------|-------------|---------------|
| 73230-5345 | 48.000±.787 | 1219.20±20.00 |
| 73230-5344 | 36.000±.394 | 914.40±10.00 |
| 73230-5343 | 24.000±.394 | 609.60±10.00 |
| 73230-5342 | 18.000±.394 | 457.20±10.00 |
| 73230-5341 | 12.000±.394 | 304.80±10.00 |
| 73230-5340 | 6.000±.394 | 152.40±10.00 |
| PART NO. | IN | MM |
| | L | |

| | | | | |
|-----------------|----|--------------|------------|----------|
| DOCUMENT STATUS | P1 | RELEASE DATE | 2021/09/06 | 05:04:40 |
|-----------------|----|--------------|------------|----------|

| | | | | | | | | |
|---|---|--|--|--|---|--------------------------|---|--|
| FUNCTIONAL SYMBOLS $\nabla_A = 0$ $\nabla_C = 0$ $\nabla_P = 0$ DIVISIONAL SYMBOLS 4 PLACES ± 3 PLACES ± 2 PLACES ± 1 PLACE ± 0 PLACES ± | THIS DRAWING CONTAINS INFORMATION THAT IS PROPRIETARY TO MOLEX ELECTRONIC TECHNOLOGIES, LLC AND SHOULD NOT BE USED WITHOUT WRITTEN PERMISSION | | CURRENT REV DESC: EC NO: 675788 DRWN: YHUANG11 CHK'D: WANGR2 APPR: LCHEN03 | | molex CA,MCX PLUG WITH RG316/U CABLE,50 OHMS EWR#: 14552-A | | | |
| | DIMENSION UNITS: MM/INCH SCALE: 4:1 | GENERAL TOLERANCES (UNLESS SPECIFIED) ANGULAR TOL ± ° | | 2021/06/10 2021/09/03 2021/09/06 | | PRODUCT CUSTOMER DRAWING | | |
| | DRAFT WHERE APPLICABLE MUST REMAIN WITHIN DIMENSIONS | | THIRD ANGLE PROJECTION | | DRAWING: C-SIZE SERIES: 73230 | | DOCUMENT NUMBER: 732305340 DOC TYPE: PSD DOC PART: 000 REVISION: A | |
| | MATERIAL NUMBER: SEE TABLE 2 CUSTOMER: GENERAL MARKET | | SHEET NUMBER: 1 OF 1 | | | | | |