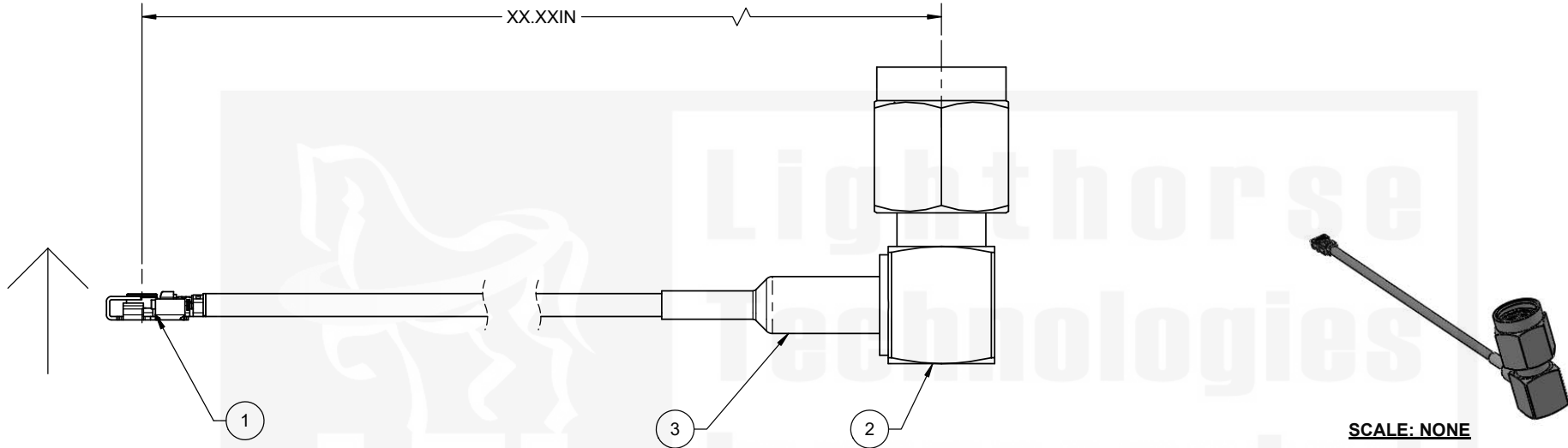


-XX IN THE ENDING OF THE CABLE PART NUMBER IS CALLING OUT THE LENGTH OF THE ASSEMBLY FROM CENTER TO MATING FLANGE OF CONNECTORS. EXAMPLES SHOWN BELOW:



LTI P/N: CB1.37-IPX4LLK-SALRMGT-4IN (4 INCHES)  
 CB1.37-IPX4LLK-SALRMGT-10IN (10 INCHES)

REVISIONS				
REV	ECR	DESCRIPTION	DRAWN	DATE
1		PRODUCTION RELEASE	M. LARSEN	06/07/2022



ITEM	PART NUMBER	DESCRIPTION	QTY
1	CB1.37-IPX4LLK-500MM	IPX4LLK (MHF4L LK) LOCKING, RHT ANGLE, JACK, USING 1.37 CABLE, BLACK, (I-PEX 20632-001R-37)	0.5
2	SALRM11GT-316	SMA, RIGHT ANGLE, REV POL PLUG, CABLE CRIMP	1
3	1635F-1/8"	.125 (1/8) DIA, .75 LENGTH, GREEN	1

IPX® AND MHF® ARE REGISTERED TRADEMARKS OF I-PEX CO., LTD. CORPORATION

DO NOT SCALE DRAWING		 <b>Lighthouse Technologies</b> San Diego, CA WWW.IPCONNECTOR.COM
TOLERANCES UNLESS OTHERWISE SPECIFIED DIMENSIONS ARE IN MILLIMETERS X = ±0.5 XX = ±0.25 XXX = ±0.13 ANGLE = ±30°		
THIRD ANGLE PROJECTION 		TITLE: CABLE ASSEMBLY, IPX4LLK (MHF4L LK), LOCKING, R/A JACK, CRIMP TO SMA, R/A RP PLUG, CRIMP USING 1.37 MICRO COAX
CUSTOMER APPROVAL SIGN / DATE:		SIZE PART/DWG. NO: REV <b>B CB1.37-IPX4LLK-SALRMGT-xxIN A</b>
ENG APPR. P. BURDGE 06/07/2022 CHECKED M. HELD 06/07/2022 DRAWN M. LARSEN 06/07/2022 NAME DATE	SCALE: 4:1 FILE NAME	SHEET 1 OF 1

PROPRIETARY AND CONFIDENTIAL

UNLESS OTHERWISE SPECIFIED: THIS DOCUMENT CONTAINS LIGHORSE TECHNOLOGIES INFORMATION. REPRODUCTION, USE, DISCLOSURE OR TRANSMITTAL OF ALL OR ANY PART OF THIS DOCUMENT IS PROHIBITED EXCEPT TO THE EXTENT APPROVED IN WRITING BY AN AUTHORIZED REPRESENTATIVE OF LIGHORSE TECHNOLOGIES. LIGHORSE TECHNOLOGIES RESERVES ALL RIGHTS UNDER PATENTS, TRADEMARKS, COPY RIGHTS AND TRADE SECRETS. COPY RIGHTS OF LIGHORSE TECHNOLOGIES 2011, ALL RIGHTS RESERVED.

