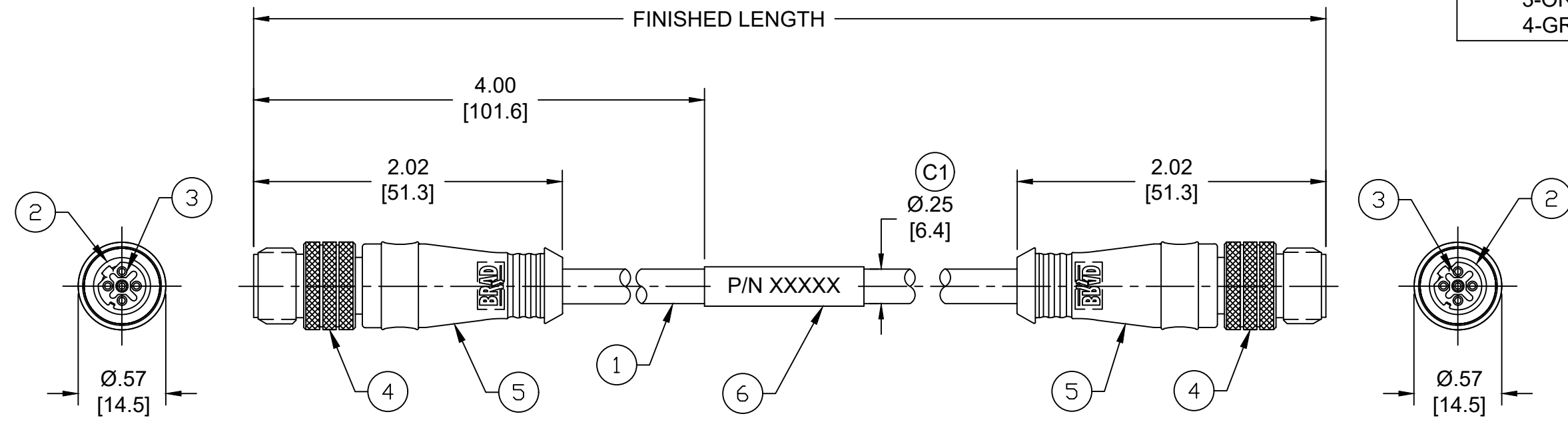
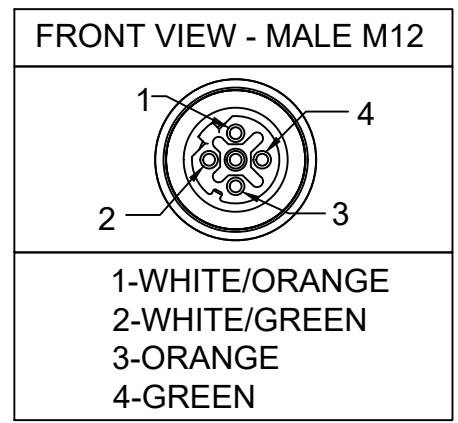


MATERIAL NUMBER	ENGINEERING NUMBER	FINISHED LENGTH
1201080421	E11A06008M005	0.5M [1FT 8 IN]
1201080312	E11A06008M400	40M[131FT 3 IN]
1201080439	E11A06008M800	80M[262FT 6 IN]



- NOTES:
- MATERIAL: AS NOTED
 - FINISH: AS NOTED
 - ELECTRICAL:
VOLTAGE: 30V AC/DC
CURRENT: 1.5A
 - TEMP RATING: -20°TO +80°C (C1)
 - PROTECTION: IP67 (WHEN MATED)
 - COUPLING THREAD: M12X1
 - UL LISTED FILE: E361772 (C1)
 - ALL DIMENSIONS ARE FOR REFERENCE UNLESS TOLERANCED OR NOTED OTHERWISE

PART NUMBER LEGEND
E11A06008M005
 ↓
 FINISHED LENGTH
 M005 - 0.5 METER
 M010 - 1 METER
 M200 - 20 METER

(C1) CABLE LENGTH TOLERANCES

<.3M [1FT]:	+19mm-0 [+ .75in-0]
.3 - .9M [1 - 3FT]:	+44.5mm-0 [+1.75in-0]
.9 - 1.8M [3 - 6FT]:	+55.6mm-0 [+2.19in-0]
1.8 - 3.7M [6 - 12FT]:	+88.9mm-0 [+3.50in-0]
3.7 - 7.3M [12 - 24FT]:	+165.1mm-0 [+6.50in-0]
7.3-14.6M [24 - 48FT]:	+317.5mm-0 [+12.50in-0]
14.6 - 30.5M [48-100FT]:	+622.3mm-0 [+24.50in-0]
OVER 30M [100FT]:	+2% OF FINISHED LENGTH

6	WRAP LABEL	VINYL	BLACK/WHITE
5	OVERMOLD	PUR	BLACK
4	COUPLING NUT	BRASS	NICKEL PLATED
3	CONTACT PIN	COPPER ALLOY	GOLD/NICKEL PLATED
2	MALE INSERT	PUR	BLACK
1	#24 AWG CABLE	TPE JACKET	ORANGE
ITEM	DESCRIPTION	MATERIAL	FINISH

FUNCTIONAL SYMBOLS F=0 E=0 P=0	THIS DRAWING CONTAINS INFORMATION THAT IS PROPRIETARY TO MOLEX ELECTRONIC TECHNOLOGIES, LLC AND SHOULD NOT BE USED WITHOUT WRITTEN PERMISSION		CURRENT REV DESC: ADDED TEMP RATING, UL NUMBER, CABLE DIA & TOL CHART. MODIFIED MATERIAL NUMBER CHART			
	GENERAL TOLERANCES (UNLESS SPECIFIED)					
	DIVISIONAL SYMBOLS		DRWN: ABENJAMINLW 2022/03/31		MICRO-CHANGE CORDSET, M12, 4 POLE, MALE - MALE, STRAIGHT, D-CODED, #24 AWG	
	DRAFT WHERE APPLICABLE MUST REMAIN WITHIN DIMENSIONS		APPR: BWOODMAN 2022/06/14		PRODUCT CUSTOMER DRAWING	
THIRD ANGLE PROJECTION		DRWN: BARDEN 2013/04/19		DOCUMENT NUMBER		
DRAWING		APPR: BWOODMAN 2013/06/04		SD-120108-062		
SERIES		INITIAL REVISION:		DOC TYPE/DOC PART/REVISION		
B-SIZE		120108		PSD 001 C1		
MATERIAL NUMBER		CUSTOMER		SHEET NUMBER		
SEE CHART		GENERAL MARKET		1 OF 1		