

TUSB321AI USB Type-C Configuration Channel Logic and Port Control with VCONN

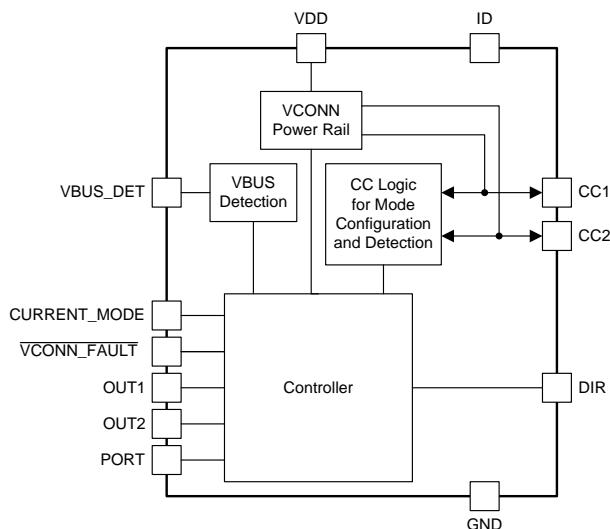
1 Features

- USB Type-C™ Specification 1.1
- Backward Compatible with USB Type-C Specification 1.0
- Supports Up to 3 A of Current Advertisement through dedicated Current Mode pin
- Mode Configuration
 - Host Only – DFP (Source)
 - Device Only – UFP (Sink)
 - Dual Role Port – DRP
- Channel Configuration (CC)
 - Attach of USB Port Detection
 - Cable Orientation Detection
 - Role Detection
 - Type-C Current Mode advertisement and detection (Default, Medium, High)
- V_{BUS} Detection
- VCONN Support for Active Cables
- Cable Detection and Direction Control for External Switches
- Supply Voltage: 4.5 V to 5.5 V
- Low Current Consumption
- Industrial Temperature Range of -40 to 85°C

2 Applications

- Host, Device, Dual Role Port Applications
- Mobile Phones
- Tablets and Notebooks
- USB Peripherals

Simplified Schematic



3 Description

The TUSB321AI device enables USB Type-C ports with the configuration channel (CC) logic needed for Type-C ecosystems. The TUSB321AI device uses the CC pins to determine port attach and detach, cable orientation, role detection, and port control for Type-C current mode. The TUSB321AI device can be configured as a downstream facing port (DFP), upstream facing port (UFP) or a dual role port (DRP) making it ideal for any application.

The TUSB321AI device when configured as a DRP alternates configuration as a DFP or UFP according to the Type-C Specifications. The CC logic block monitors the CC1 and CC2 pins for pullup or pulldown resistances to determine when a USB port has been attached, the orientation of the cable, and the role detected. The CC logic detects the Type-C current mode as default, medium, or high depending on the role detected. V_{BUS} detection is implemented to determine a successful attach in UFP and DRP modes.

The device operates over a wide supply range and has low-power consumption. The TUSB321AI device is available in industrial and commercial temperature ranges.

Device Information⁽¹⁾

PART NUMBER	PACKAGE	BODY SIZE (NOM)
TUSB321AI	X2QFN (12)	1.60 mm x 1.60 mm

(1) For all available packages, see the orderable addendum at the end of the data sheet.

Sample Application



Table of Contents

1 Features	1	7.4 Device Functional Modes.....	10
2 Applications	1	8 Application and Implementation	12
3 Description	1	8.1 Application Information.....	12
4 Revision History	2	8.2 Typical Application	12
5 Pin Configuration and Functions	3	8.3 Initialization Set Up	14
6 Specifications	4	9 Power Supply Recommendations	14
6.1 Absolute Maximum Ratings	4	10 Layout	14
6.2 ESD Ratings.....	4	10.1 Layout Guidelines	14
6.3 Recommended Operating Conditions.....	4	10.2 Layout Example	14
6.4 Thermal Information	4	11 Device and Documentation Support	15
6.5 Electrical Characteristics.....	5	11.1 Documentation Support	15
6.6 Switching Characteristics	6	11.2 Community Resources.....	15
7 Detailed Description	7	11.3 Trademarks	15
7.1 Overview	7	11.4 Electrostatic Discharge Caution.....	15
7.2 Functional Block Diagram	8	11.5 Glossary	15
7.3 Feature Description.....	8	12 Mechanical, Packaging, and Orderable Information	15

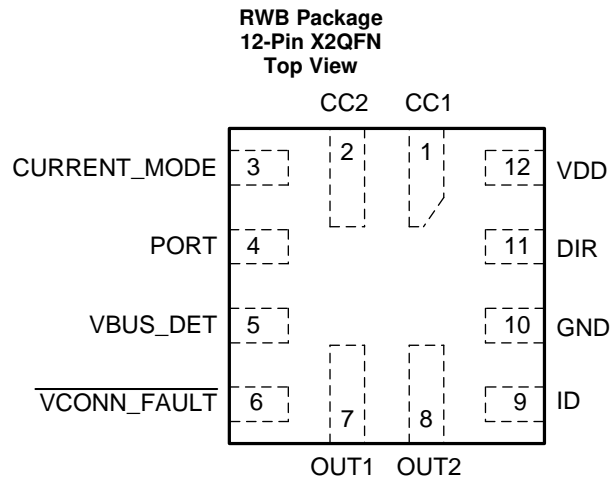
4 Revision History

Changes from Original (October 2015) to Revision A

Page

- Changed $R_{V_{BUS}}$ values From: MIN = 891, TYP = 900, MAX = 909 $K\Omega$ To: MIN = 855, TYP = 887, MAX = 920 $K\Omega$ 6

5 Pin Configuration and Functions



Pin Functions

PIN		TYPE	DESCRIPTION
NAME	NO.		
CC1	1	I/O	Type-C configuration channel signal 1
CC2	2	I/O	Type-C configuration channel signal 2
CURRENT_MODE	3	I	Advertise VBUS current. This 3-level input is used to control current advertisement in DFP mode or DRP mode connected as source. (See Table 2 .) L - Default Current. Pull-down to GND or leave unconnected. M - Medium (1.5A) current. Pull-up to V _{DD} with 500-kΩ resistor. H - High (3.0A) current. Pull-up to V _{DD} with 10-kΩ resistor.
PORT	4	I	Tri-level input pin to indicate port mode. The state of this pin is sampled when VDD is active. H - DFP (Pull-up to V _{DD} if DFP mode is desired) NC - DRP (Leave unconnected if DRP mode is desired) L - UFP (Pull-down or tie to GND if UFP mode is desired)
VBUS_DET	5	I	5- to 28-V V _{BUS} input voltage. V _{BUS} detection determines UFP attachment. One 900-kΩ external resistor required between system V _{BUS} and VBUS_DET pin.
$\overline{\text{VCONN_FAULT}}$	6	O	Open-drain output and is asserted low for when VCONN over-current fault is detected.
OUT1	7	I/O	This pin is an open drain output for communicating Type-C current mode detect when the TUSB321AI device is in UFP mode. Default current mode detected (H); medium or high current mode detected (L). (See Table 2 .)
OUT2	8	I/O	This pin is an open drain output for communicating Type-C current mode detect when the TUSB321AI device is in UFP mode: default or medium current mode detected (H); high current mode detected (L). (See Table 2 .)
ID	9	O	Open drain output; asserted low when the CC pins detect device attachment when port is a source (DFP), or dual-role (DRP) acting as source (DFP).
GND	10	G	Ground
DIR	11	O	DIR of plug. This open drain output indicates the detected plug orientation: Type-C plug position 2 (H); Type-C plug position 1 (L).
VDD	12	P	Positive supply voltage

6 Specifications

6.1 Absolute Maximum Ratings

over operating free-air temperature range (unless otherwise noted)⁽¹⁾

		MIN	MAX	UNIT
Supply voltage	V _{DD}	-0.3	6.0	V
Control pins	CC1, CC2, PORT, CURRENT_MODE, ID, DIR, $\overline{\text{VCONN_FAULT}}$	-0.3	V _{DD} + 0.3	V
	OUT1, OUT2	-0.3	V _{DD} + 0.3	
	VBUS_DET	-0.3	4	
Storage temperature, T _{stg}		-65	150	°C

- (1) Stresses beyond those listed under *Absolute Maximum Ratings* may cause permanent damage to the device. These are stress ratings only, which do not imply functional operation of the device at these or any other conditions beyond those indicated under *Recommended Operating Conditions*. Exposure to absolute-maximum-rated conditions for extended periods may affect device reliability.

6.2 ESD Ratings

		VALUE	UNIT
V _(ESD) Electrostatic discharge	Human-body model (HBM), per ANSI/ESDA/JEDEC JS-001 ⁽¹⁾	±3000	V
	Charged-device model (CDM), per JEDEC specification JESD22-C101 ⁽²⁾	±1500	

- (1) JEDEC document JEP155 states that 500-V HBM allows safe manufacturing with a standard ESD control process.
 (2) JEDEC document JEP157 states that 250-V CDM allows safe manufacturing with a standard ESD control process.

6.3 Recommended Operating Conditions

over operating free-air temperature range (unless otherwise noted)

		MIN	NOM	MAX	UNIT
Supply voltage range, V _{DD}		4.5		5.5	V
System V _{BUS} voltage		4	5	28	V
DC Voltage range for VBUS_DET	VBUS_DET	0		4	V
DC Voltage range for control pins	ID, DIR, $\overline{\text{VCONN_FAULT}}$, OUT1, OUT2, CURRENT_MODE, CC1, CC2, PORT	0		5.5	V
Supply for active cable (With V _{DD} at 5 V)	VCONN	4.75		5.5	V
Operating free air temperature, T _A		-40	25	85	°C

6.4 Thermal Information

THERMAL METRIC ⁽¹⁾		TUSB321AI	UNIT
		RWB (X2QFN)	
		12 PINS	
R _{θJA}	Junction-to-ambient thermal resistance	169.3	°C/W
R _{θJC(top)}	Junction-to-case (top) thermal resistance	68.1	°C/W
R _{θJB}	Junction-to-board thermal resistance	83.4	°C/W
ψ _{JT}	Junction-to-top characterization parameter	2.2	°C/W
ψ _{JB}	Junction-to-board characterization parameter	83.4	°C/W
R _{θJC(bot)}	Junction-to-case (bottom) thermal resistance	N/A	—

- (1) For more information about traditional and new thermal metrics, see the [Semiconductor and C Package Thermal Metrics](#) application report.

6.5 Electrical Characteristics

over operating free-air temperature range (unless otherwise noted)

PARAMETER	TEST CONDITIONS	MIN	TYP	MAX	UNIT	
Power Consumption						
$I_{(UNATTACHED_UFP)}$	Current consumption in unattached mode when port is unconnected and waiting for connection. ($V_{DD} = 5\text{ V}$, PORT = L)		70		μA	
$I_{(ACTIVE_UFP)}$	Current consumption in active mode. ($V_{DD} = 5\text{ V}$, PORT = L)		70		μA	
CC1 and CC2 Pins						
$R_{(CC_D)}$	Pulldown resistor when in UFP or DRP mode.		4.6	5.1	5.6	$\text{k}\Omega$
R_{CC_DB}	Pulldown resistor when in dead-battery mode	$V_{DD} = 0\text{V}$.	4.1	5.1	6.1	$\text{k}\Omega$
$V_{UFP_CC_USB}$	Voltage level range for detecting a DFP attach when configured as a UFP and DFP is advertising default current source capability.		0.25		0.61	V
$V_{UFP_CC_MED}$	Voltage level range for detecting a DFP attach when configured as a UFP and DFP is advertising medium (1.5 A) current source capability.		0.70		1.16	V
$V_{UFP_CC_HIGH}$	Voltage level range for detecting a DFP attach when configured as a UFP and DFP is advertising high (3 A) current source capability.		1.31		2.04	V
$V_{TH(DFP_CC_USB)}$	Voltage threshold for detecting a UFP attach when configured as a DFP and advertising default current source capability.		1.51	1.6	1.64	V
$V_{TH(DFP_CC_MED)}$	Voltage threshold for detecting a UFP attach when configured as a DFP and advertising medium current (1.5 A) source capability.		1.51	1.6	1.64	V
$V_{TH(DFP_CC_HIGH)}$	Voltage threshold for detecting a UFP attach when configured as a DFP and advertising high current (3.0 A) source capability.		2.46	2.6	2.74	V
$V_{TH(AC_CC_USB)}$	Voltage threshold for detecting a active cable attach when configured as a DFP and advertising default current source.		0.15	0.20	0.25	V
$V_{TH(AC_CC_MED)}$	Voltage threshold for detecting a active cable attach when configured as a DFP and advertising medium current (1.5 A) source.		0.35	0.40	0.45	V
$V_{TH(AC_CC_HIGH)}$	Voltage threshold for detecting a active cable attach when configured as a DFP and advertising high current (3 A) source.		0.76	0.80	0.84	V
$I_{CC(DEFAULT_P)}$	Default mode pullup current source when operating in DFP or DRP mode.		64	80	96	μA
$I_{CC(MED_P)}$	Medium (1.5 A) mode pullup current source when operating in DFP or DRP mode.		166	180	194	μA
$I_{CC(HIGH_P)}$	High (3 A) mode pullup current source when operating in DFP or DRP mode. ⁽¹⁾		304	330	356	μA
Control Pins: PORT, CURRENT_MODE, VCONN_FAULT, DIR, ID, OUT1, OUT2						
V_{IL}	Low-level control signal input voltage, (PORT, CURRENT_MODE)			0.4	V	
V_{IM}	Mid-level control signal input voltage (PORT, CURRENT_MODE)		$0.28 \times V_{DD}$	$0.56 \times V_{DD}$	V	
V_{IH}	High-level control signal input voltage (PORT, CURRENT_MODE)		$V_{DD} - 0.3$		V	
I_{IH}	High-level input current		-20	20	μA	
I_{IL}	Low-level input current		-10	10	μA	
$I_{ID_LEAKAGE}$	Current leakage for ID pin.	$V_{DD} = 0\text{V}$; ID = 5V		10	μA	
R_{PU}	Internal pullup resistance (PORT)			588	$\text{k}\Omega$	
R_{PD}	Internal pulldown resistance (PORT)			1.1	$\text{M}\Omega$	
$R_{PD(CUR)}$	Internal pulldown resistance for CURRENT_MODE pin			275	$\text{k}\Omega$	
V_{OL}	Low-level signal output voltage (open-drain) (VCONN_FAULT, ID, OUT1, OUT2, DIR)	$I_{OL} = -1.6\text{ mA}$		0.4	V	

 (1) V_{DD} must be 3.5 V or greater to advertise 3 A current.

Electrical Characteristics (continued)

over operating free-air temperature range (unless otherwise noted)

PARAMETER	TEST CONDITIONS	MIN	TYP	MAX	UNIT
$R_{P(ODext)}$	External pullup resistor on open drain IOs (VCONN_FAULT, ID, OUT1, OUT2, DIR)		200		$k\Omega$
$R_{P(TLext)}$	Tri-level input external pull-up resistor (PORT)		4.7		$k\Omega$
$R_{P(cm_med)}$	External pull-up resistor on CURRENT_MODE pin to advertise 1.5-A current		500		$k\Omega$
$R_{P(cm_high)}$	External pull-up resistor on CURRENT_MODE pin to advertise 3.0-A current		10		$k\Omega$
VBUS_DET IO Pins (Connected to System V_{BUS} signal through external resistor)					
$V_{BUS(THR)}$	V_{BUS} threshold range	2.95	3.30	3.80	V
R_{VBUS}	External resistor between V_{BUS} and VBUS_DET pin	855	887	920	$K\Omega$
$R_{(VBUS_PD)}$	Internal pulldown resistance for VBUS_DET		95		$K\Omega$
VCONN					
R_{ON}	On resistance of the VCONN power FET			1.25	Ω
$V_{(TOL)}$	Voltage tolerance on VCONN power FET			5.5	V
$V_{(PASS)}$	Voltage to pass through VCONN power FET			5.5	V
$I_{(VCONN)}$	VCONN current limit; VCONN is disconnected above this value	225	300	375	mA
C_{BULK}	Bulk capacitance on VCONN; placed on V_{DD} supply	10		200	μF

6.6 Switching Characteristics

over operating free-air temperature range (unless otherwise noted)

PARAMETER	MIN	TYP	MAX	UNIT
$t_{CCCB_DEFAULT}$		168		ms
t_{VBUS_DB}		2		ms
$t_{DRP_DUTY_CYCLE}$		30%		
t_{DRP}	50	75	100	ms

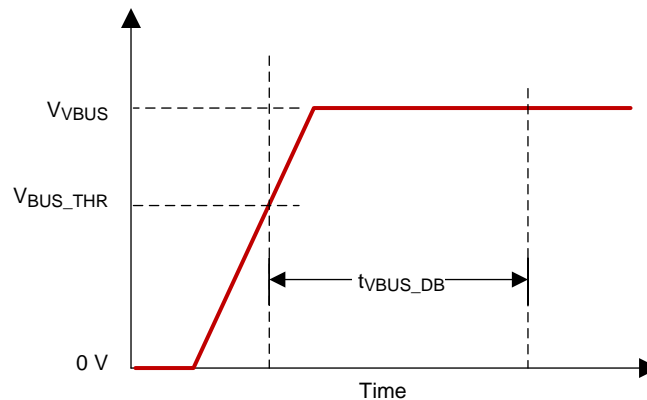


Figure 1. VBUS Detect and Debounce

7 Detailed Description

7.1 Overview

The USB Type-C ecosystem operates around a small form factor connector and cable that is flippable and reversible. Because of the nature of the connector, a scheme is needed to determine the connector orientation. Additional schemes are needed to determine when a USB port is attached and the acting role of the USB port (DFP, UFP, DRP), as well as to communicate Type-C current capabilities. These schemes are implemented over the CC pins according to the USB Type-C specifications. The TUSB321AI device provides Configuration Channel (CC) logic for determining USB port attach and detach, role detection, cable orientation, and Type-C current mode. The TUSB321AI device also contains several features such as VCONN sourcing, USB3.1 MUX direction control, mode configuration and low standby current which make this device ideal for source or sinks in USB2.0 or USB3.1 applications.

7.1.1 Cables, Adapters, and Direct Connect Devices

Type-C Specification 1.1 defines several cables, plugs and receptacles to be used to attach ports. The TUSB321AI device supports all cables, receptacles, and plugs. The TUSB321AI device does not support e-marking.

7.1.1.1 USB Type-C Receptacles and Plugs

Below is list of Type-C receptacles and plugs supported by the TUSB321AI device:

- USB Type-C receptacle for USB2.0 and USB3.1 and full-featured platforms and devices
- USB full-featured Type-C plug
- USB2.0 Type-C plug

7.1.1.2 USB Type-C Cables

Below is a list of Type-C cables types supported by the TUSB321AI device:

- USB full-featured Type-C cable with USB3.1 full-featured plug
- USB2.0 Type-C cable with USB2.0 plug
- Captive cable with either a USB full-featured plug or USB2.0 plug

7.1.1.3 Legacy Cables and Adapters

The TUSB321AI device supports legacy cable adapters as defined by the Type-C Specification. The cable adapter must correspond to the mode configuration of the TUSB321AI device.

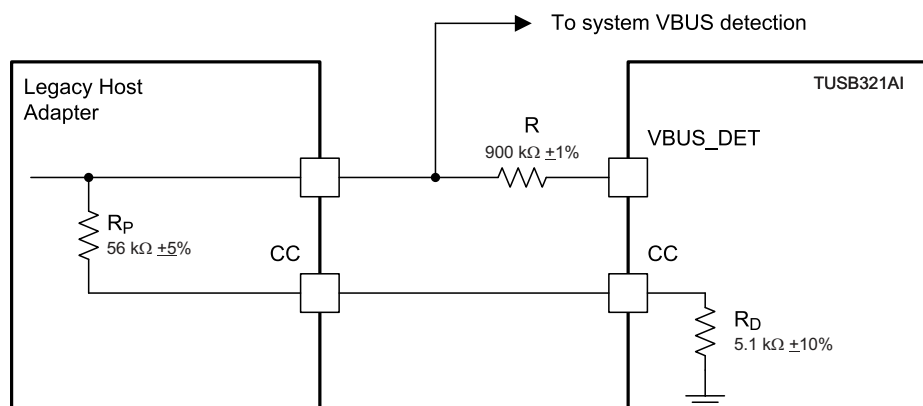
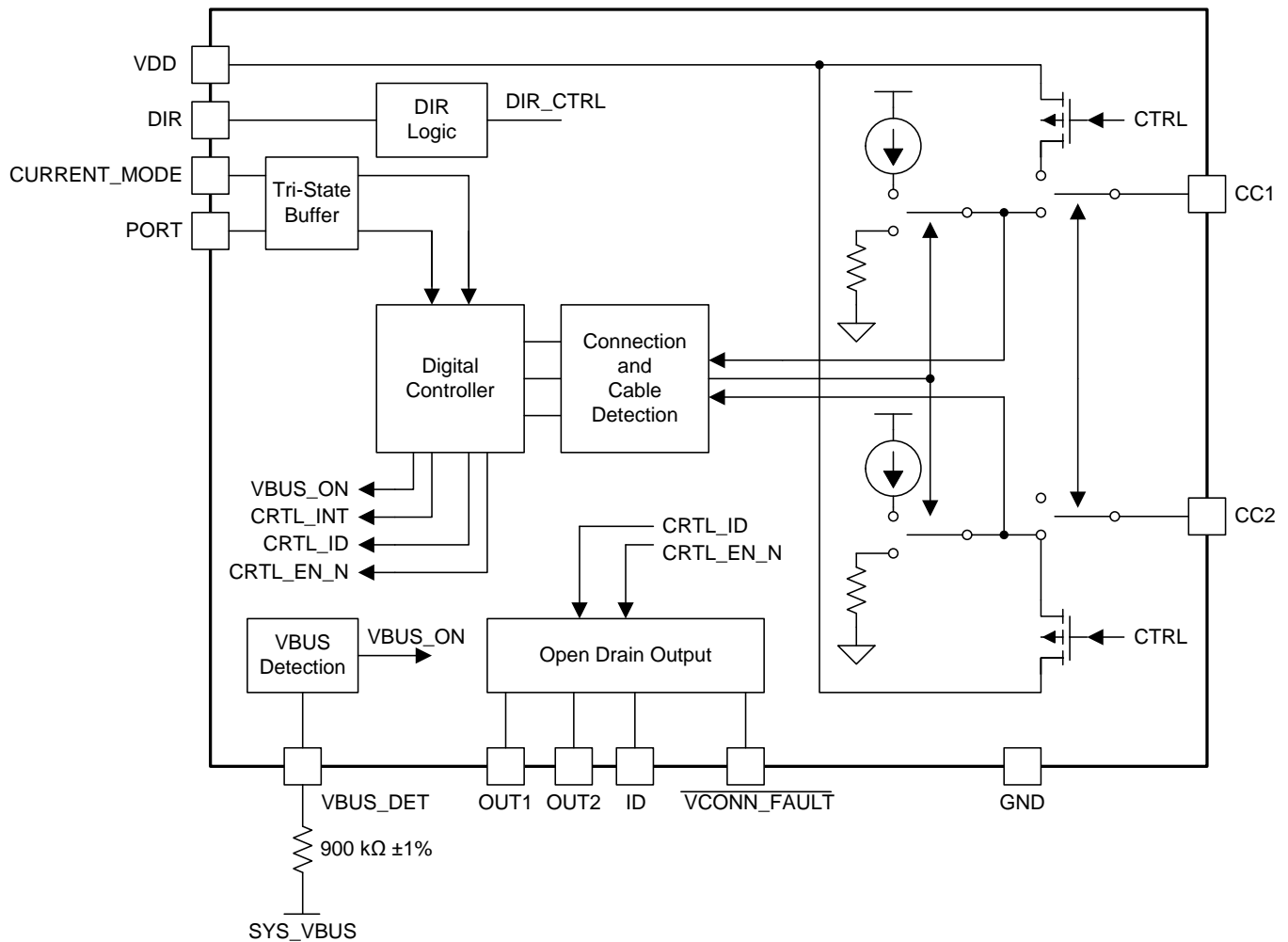


Figure 2. Legacy Adapter Implementation Circuit

7.1.1.4 Direct Connect Devices

The TUSB321AI device supports the attaching and detaching of a direct-connect device.

7.2 Functional Block Diagram



7.3 Feature Description

7.3.1 Port Role Configuration

The TUSB321AI device can be configured as a downstream facing port (DFP), upstream facing port (UFP), or dualrole port (DRP) using the tri-level PORT pin. The PORT pin should be pulled high to V_{DD} using a pullup resistance, low to GND or left as floated on the PCB to achieve the desired mode. This flexibility allows the TUSB321AI device to be used in a variety of applications. The TUSB321AI device samples the PORT pin after reset and maintains the desired mode until the TUSB321AI device is reset again. [Table 1](#) lists the supported features in each mode:

Feature Description (continued)
Table 1. Supported Features for the TUSB321AI Device by Mode

PORT PIN	HIGH (DFP ONLY)	LOW (UFP ONLY)	NC (DRP)
Port attach and detach	Yes	Yes	Yes
Cable orientation	Yes	Yes	Yes
Current advertisement	Yes	-	Yes (DFP)
Current detection	-	Yes	Yes (UFP)
Active cable detection	Yes	-	Yes (DFP)
VCONN	Yes	-	Yes (DFP)
Legacy cables	Yes	Yes	Yes
V _{BUS} detection	-	Yes	Yes (UFP)

7.3.1.1 Downstream Facing Port (DFP) - Source

The TUSB321AI device can be configured as a DFP only by pulling the PORT pin high through a resistance to V_{DD}. In DFP mode, the TUSB321AI device constantly presents R_{ps} on both CC. In DFP mode, the TUSB321AI device advertises USB Type-C current based on the state of the CURRENT_MODE pin.

When configured as a DFP, the TUSB321AI can operate with older USB Type-C 1.0 devices except for a USB Type-C 1.0 DRP device. The TUSB321AI can not operate with a USB Type-C 1.0 DRP device. This limitation is a result of backwards compatibility problem between USB Type-C 1.1 DFP and a USB Type-C 1.0 DRP.

Please note that when TUSB321AI's V_{DD} supply is not active, R_d will be presented on both CC pins. This will cause another DRP or DFP device to detect the TUSB321AI as a UFP. When V_{DD} becomes active, the TUSB321AI will remove the R_d from CC pins and present R_p on both CC pins.

7.3.1.2 Upstream Facing Port (UFP) - Sink

The TUSB321AI device can be configured as a UFP only by pulling the PORT pin low to GND. In UFP mode, the TUSB321AI device constantly presents pulldown resistors (R_d) on both CC pins. The TUSB321AI device monitors the CC pins for the voltage level corresponding to the Type-C mode current advertisement by the connected DFP. The TUSB321AI device debounces the CC pins and wait for V_{BUS} detection before successfully attaching. As a UFP, the TUSB321AI device detects and communicates the advertised current level of the DFP to the system through the OUT1 and OUT2 pins.

7.3.1.3 Dual Role Port (DRP)

The TUSB321AI device can be configured to operate as a DRP when the PORT pin is left floated on the PCB. In DRP mode, the TUSB321AI device toggles between operating as a DFP and a UFP. When functioning as a DFP in DRP mode, the TUSB321AI device complies with all operations as defined for a DFP according to the Type-C Specification. When presenting as a UFP in DRP mode, the TUSB321AI device operates as defined for a UFP according to the Type-C Specification.

7.3.2 Type-C Current Mode

The TUSB321AI device supports both advertising and detection of Type-C current. When TUSB321AI is a UFP or a DRP connected as a sink, the OUT1 and OUT2 pins are used to inform the system the detected USB Type-C current being broadcasted by the attached DFP. When TUSB321AI device is a DFP or a DRP connected as a source, the CURRENT_MODE pin is used to advertise the USB Type-C current. The current advertisement for the TUSB321AI device is 500 mA (for USB2.0) or 900 mA (for USB3.1) if CURRENT_MODE pin is left unconnected or pulled to GND. If a higher level of current is required, the CURRENT_MODE can be pulled up to V_{DD} through a 500-kΩ resistor to advertise medium current at 1.5 A or pulled up to V_{DD} through a 10-kΩ resistor to advertise high current at 3 A. [Table 2](#) lists the Type-C current advertisements and detection.

Table 2. Type-C Current Advertisement and Detection

TYPE-C CURRENT		UFP or DRP acting as UFP Current Detection	DFP or DRP acting as DFP Current Advertisement
Default	500 mA (USB2.0) 900 mA (USB3.1)	OUT1 = High OUT2 = High (unattached) or Low (attached)	CURRENT_MODE = L
Medium - 1.5 A		OUT1 = Low OUT2 = High	CURRENT_MODE = M
High - 3 A		OUT1 = Low OUT2 = Low	CURRENT_MODE = H

7.3.3 V_{BUS} Detection

The TUSB321AI device supports V_{BUS} detection according to the Type-C Specification. V_{BUS} detection is used to determine the attachment and detachment of a UFP. V_{BUS} detection is also used to successfully resolve the role in DRP mode.

The system V_{BUS} voltage must be routed through a 900-kΩ resistor to the VBUS_DET pin on the TUSB321AI device if the PORT pin is configured as a DRP or a UFP. If the TUSB321AI device is configured as a DFP and only ever used in DFP mode, the VBUS_DET pin can be left unconnected.

7.3.4 Cable Orientation and External MUX Control

The TUSB321AI device has the ability to control an external/discrete MUX using the DIR pin. The TUSB321AI detects the cable orientation by monitoring the voltage on the CC pins. When a voltage level within the proper threshold is detected on CC1, the DIR pin is pulled low. When a voltage level within the proper threshold is detected on CC2, the DIR is pulled high. If the direction polarity of the external MUX is opposite of the TUSB321AI, the CC1/CC2 connection to USB Type-C receptacle can be reversed. The DIR pin is an open drain output.

7.3.5 VCONN Support for Active Cables

The TUSB321AI device supplies VCONN to active cables when configured in DFP mode or in DRP acting as a DFP mode. VCONN is provided only when the unconnected CC pin is terminated to a resistance, R_a, and after a UFP is detected and the Attached.SRC state is entered. When in DFP mode or in DRP acting as a DFP mode, a 5-V source must be connected to the V_{DD} pin of the TUSB321AI device after Attached.SRC. VCONN is supplied from V_{DD} through a low resistance power FET out to the unconnected CC pin. VCONN is removed when a detach event is detected and the active cable is removed.

7.4 Device Functional Modes

The TUSB321AI device has three functional modes. [Table 3](#) lists these modes:

Table 3. USB Type-C States According to TUSB321AI Functional Modes

MODES	GENERAL BEHAVIOR	PORT PIN	STATES ⁽¹⁾
Unattached	USB port unattached. ID, PORT operational. CC pins configure according to PORT pin.	UFP	Unattached.SNK
			AttachWait.SNK
		DRP	Toggle Unattached.SNK → Unattached.SRC
			AttachedWait.SRC or AttachedWait.SNK
		DFP	Unattached.SRC
			AttachWait.SRC
Active	USB port attached. All GPIOs operational.	UFP	Attached.SNK
			Attached.SNK
		DRP	Attached.SRC
			Attached.SRC
DFP	Attached.SRC		
	Attached.SRC		
Dead Battery	No operation. V _{DD} not available	N/A	Default device state to UFP/SINK with R _d

(1) Required; not in sequential order.

7.4.1 Unattached Mode

Unattached mode is the primary mode of operation for the TUSB321AI device, because a USB port can be unattached for a lengthy period of time. In unattached mode, V_{DD} is available, and all IOs are operational. After the TUSB321AI device is powered up, the part enters unattached mode until a successful attach has been determined. Initially, right after power up, the TUSB321AI device comes up as an Unattached.SNK. The TUSB321AI device checks the PORT pin and operates according to the mode configuration. The TUSB321AI device toggles between the UFP and the DFP if configured as a DRP. The PORT pin is only sampled at reset or power up.

7.4.2 Active Mode

Active mode is defined as the port being attached. In active mode, all GPIOs are operational. When in active mode, the TUSB321AI device communicates to the AP that the USB port is attached. This happens through the ID pin if TUSB321AI is configured as a DFP or DRP connect as source. If TUSB321AI is configured as a UFP or a DRP connected as a sink, the OUT1 and OUT2 pins are used. The TUSB321AI device exits active mode under the following conditions:

- Cable unplug
- V_{BUS} removal if attached as a UFP

7.4.3 Dead Battery Mode

Dead battery mode is defined as V_{DD} not active. In this mode, CC pins always default to pull-down resistors. Dead battery means:

- TUSB321AI in UFP with 5.1 k Ω \pm 20% pull-down resistors

8 Application and Implementation

NOTE

Information in the following applications and implementation sections is not part of the TI component specification, and TI does not warrant its accuracy or completeness. TI's customers are responsible for determining suitability of components for their purposes. Customers should validate and test their design implementation to confirm system functionality.

8.1 Application Information

The TUSB321AI device is a Type-C configuration channel logic and port controller. The TUSB321AI device can detect when a Type-C device is attached, what type of device is attached, the orientation of the cable, and power capabilities (both detection and broadcast). The TUSB321AI device can be used in a source application (DFP) or in a sink application (UFP).

8.2 Typical Application

8.2.1 DFP Mode

Figure 3 shows the TUSB321AI device configured as a DFP.

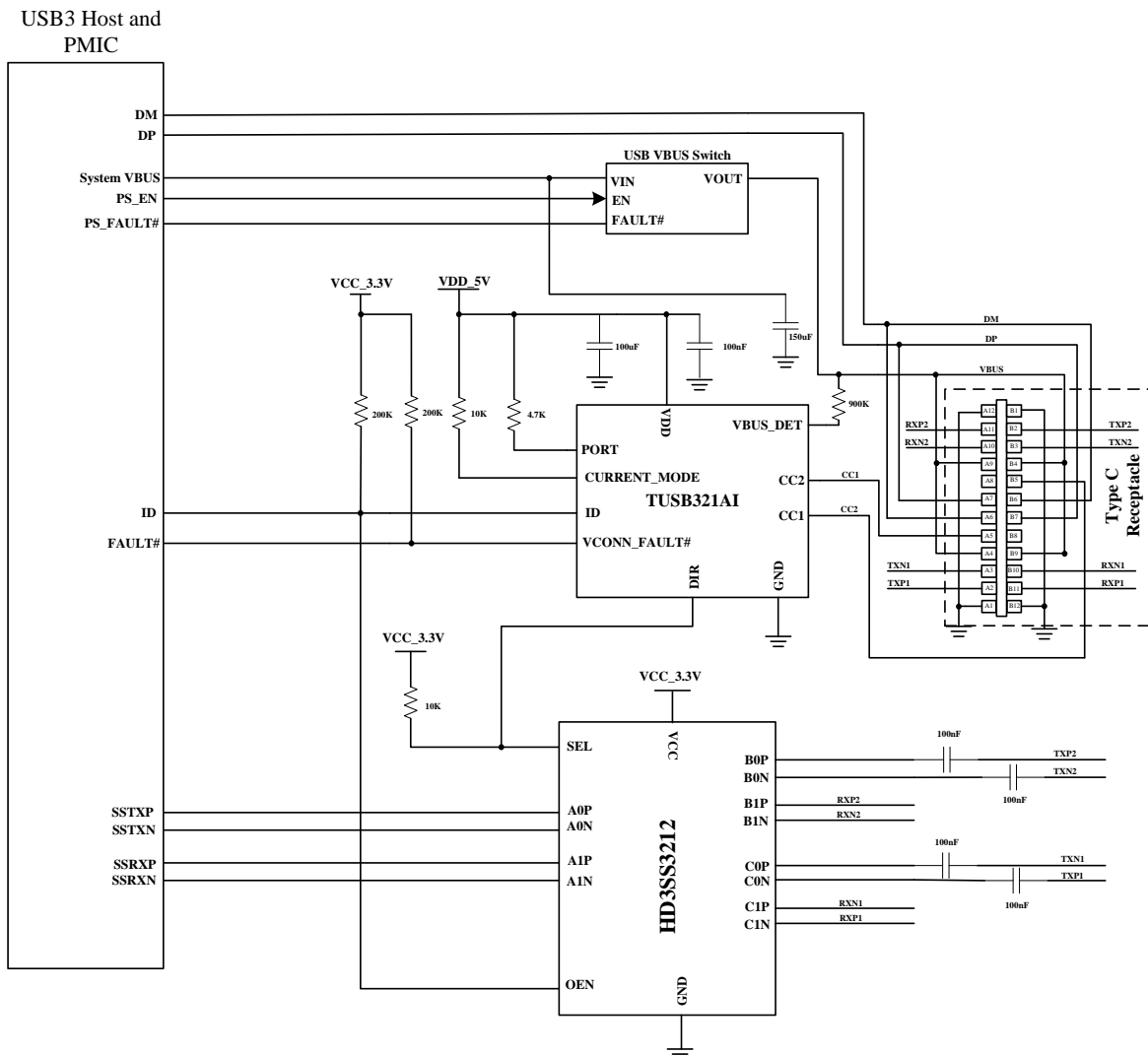


Figure 3. DFP Mode Schematic

Typical Application (continued)

8.2.1.1 Design Requirements

For this design example, use the parameters listed in [Table 4](#):

Table 4. Design Requirements for DFP Mode

DESIGN PARAMETER	VALUE
V _{DD} (4.5 V to 5.5 V)	5 V
Type-C port type (UFP, DFP, or DRP)	DFP PORT pin is pulled up
Advertised Type-C Current (Default, 1.5 A, 3 A)	3 A
VCONN Support	Yes

8.2.1.2 Detailed Design Procedure

The TUSB321AI device supports a V_{DD} in the range of 4.5 to 5.5 V. In this particular case, V_{DD} is set to 5 V. A 100-nF capacitor is placed near V_{DD}. Also, a 100 μF is used to meet the USB Type-C bulk capacitance requirement of 10 μF to 220 μF.

The TUSB321AI current advertisement is determined by the state of the CURRENT_MODE pin. In this particular example, 3 A advertisement is desired so the CURRENT_MODE pin is pulled high to V_{DD} through 10-kΩ resistor.

The DIR pin is used to control the MUX for connecting the USB3 SS signals to the appropriate pins on the USB Type-C receptacle. In this particular case, a HD3SS3212 is used as the MUX. In order to minimize crossing in routing the USB 3.1 SS signals to the USB Type C connector, the connection of CC1 and CC2 to the TUSB321AI is swapped.

The Type-C port mode is determined by the state of the PORT pin. When the PORT pin is pulled high, the TUSB321AI device is in DFP mode.

The VBUS_DET pin must be connected through a 900-kΩ resistor to V_{BUS} on the Type-C that is connected. This large resistor is required to protect the TUSB321AI device from large V_{BUS} voltage that is possible in present day systems. This resistor along with internal pulldown keeps the voltage observed by the TUSB321AI device in the recommended range.

The USB3.1 specification requires the bulk capacitance on V_{BUS} based on UFP or DFP. When operating the TUSB321AI device in a DFP mode, a bulk capacitance of at least 120 μF is required. In this particular case, a 150-μF capacitor was chosen.

8.2.1.3 Application Curve

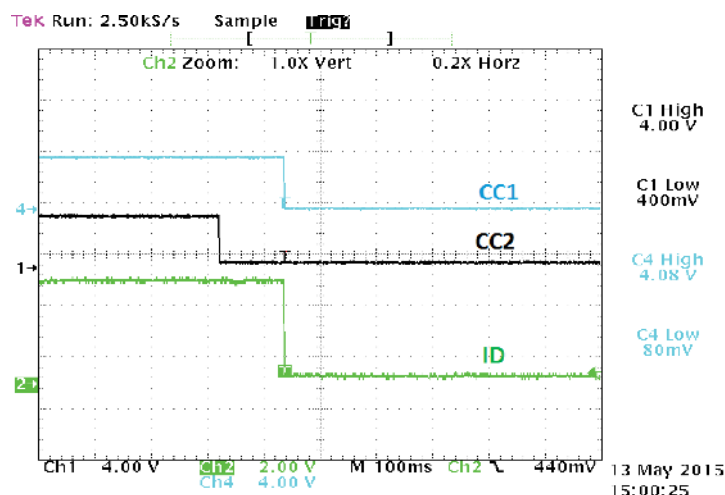


Figure 4. Application Curve for DFP Mode

8.3 Initialization Set Up

The general power-up sequence for the TUSB321AI device is as follows:

1. System is powered off (device has no V_{DD}). The TUSB321AI device is configured internally in UFP mode with Rds on CC pins.
2. V_{DD} ramps – POR circuit.
3. The TUSB321AI device enters unattached mode and determines the voltage level from the PORT pin. This determines the mode in which the TUSB321AI device operates (DFP, UFP, DRP).
4. The TUSB321AI device monitors the CC pins as a DFP and V_{BUS} for attach as a UFP.
5. The TUSB321AI device enters active mode when attach has been successfully detected.

9 Power Supply Recommendations

The TUSB321AI device has a wide power supply range from 4.5 to 5.5 V. The TUSB321AI device can be run off of a system power such as a battery.

10 Layout

10.1 Layout Guidelines

1. An extra trace (or stub) is created when connecting between more than two points. A trace connecting pin A6 to pin B6 will create a stub because the trace also has to go to the USB Host. Ensure that:
 - A stub created by short on pin A6 (DP) and pin B6 (DP) at Type-C receptacle does not exceed 3.5 mm.
 - A stub created by short on pin A7 (DM) and pin B7 (DM) at Type-C receptacle does not exceed 3.5 mm.
2. A 100-nF capacitor should be placed as close as possible to the TUSB321AI V_{DD} pin.

10.2 Layout Example

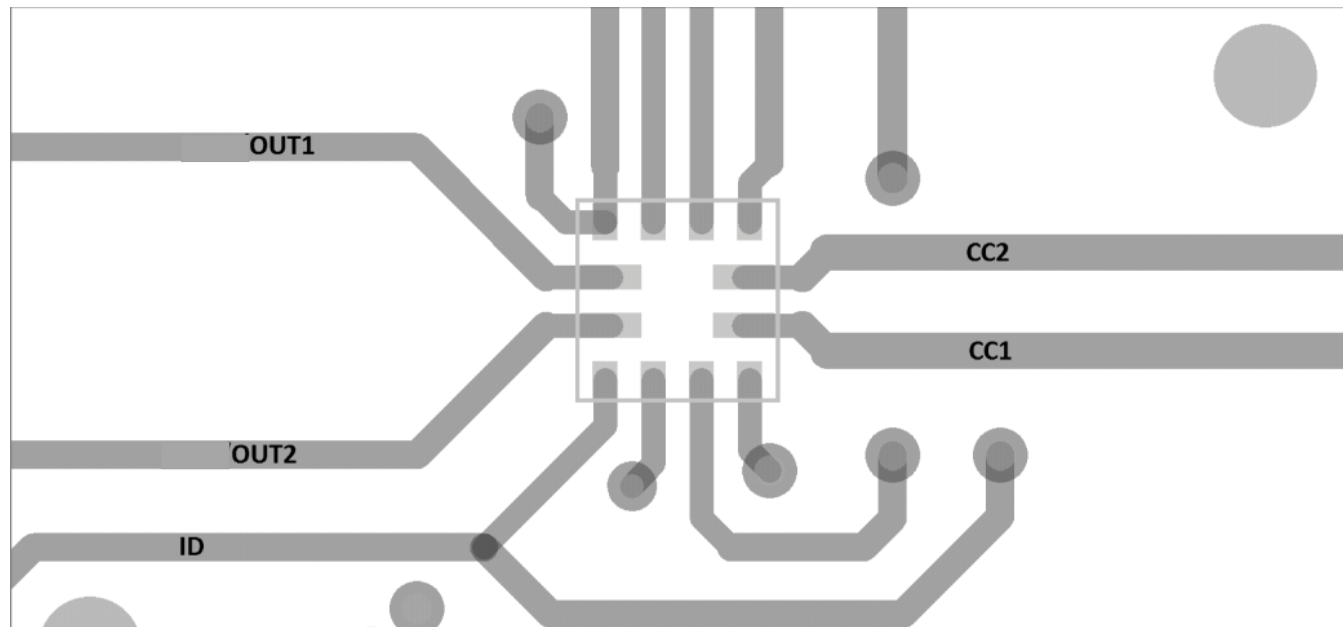


Figure 5. TUSB321AI Layout

11 Device and Documentation Support

11.1 Documentation Support

11.2 Community Resources

The following links connect to TI community resources. Linked contents are provided "AS IS" by the respective contributors. They do not constitute TI specifications and do not necessarily reflect TI's views; see TI's [Terms of Use](#).

TI E2E™ Online Community *TI's Engineer-to-Engineer (E2E) Community*. Created to foster collaboration among engineers. At e2e.ti.com, you can ask questions, share knowledge, explore ideas and help solve problems with fellow engineers.

Design Support *TI's Design Support* Quickly find helpful E2E forums along with design support tools and contact information for technical support.

11.3 Trademarks

E2E is a trademark of Texas Instruments.

USB Type-C is a trademark of USB Implementers Forum.

All other trademarks are the property of their respective owners.

11.4 Electrostatic Discharge Caution



These devices have limited built-in ESD protection. The leads should be shorted together or the device placed in conductive foam during storage or handling to prevent electrostatic damage to the MOS gates.

11.5 Glossary

[SLYZ022](#) — *TI Glossary*.

This glossary lists and explains terms, acronyms, and definitions.

12 Mechanical, Packaging, and Orderable Information

The following pages include mechanical, packaging, and orderable information. This information is the most current data available for the designated devices. This data is subject to change without notice and revision of this document. For browser-based versions of this data sheet, refer to the left-hand navigation.

PACKAGING INFORMATION

Orderable Device	Status (1)	Package Type	Package Drawing	Pins	Package Qty	Eco Plan (2)	Lead finish/ Ball material (6)	MSL Peak Temp (3)	Op Temp (°C)	Device Marking (4/5)	Samples
TUSB321AIRWBR	ACTIVE	X2QFN	RWB	12	3000	RoHS & Green	NIPDAU	Level-2-260C-1 YEAR	-40 to 85	7A	Samples

(1) The marketing status values are defined as follows:

ACTIVE: Product device recommended for new designs.

LIFEBUY: TI has announced that the device will be discontinued, and a lifetime-buy period is in effect.

NRND: Not recommended for new designs. Device is in production to support existing customers, but TI does not recommend using this part in a new design.

PREVIEW: Device has been announced but is not in production. Samples may or may not be available.

OBSOLETE: TI has discontinued the production of the device.

(2) **RoHS:** TI defines "RoHS" to mean semiconductor products that are compliant with the current EU RoHS requirements for all 10 RoHS substances, including the requirement that RoHS substance do not exceed 0.1% by weight in homogeneous materials. Where designed to be soldered at high temperatures, "RoHS" products are suitable for use in specified lead-free processes. TI may reference these types of products as "Pb-Free".

RoHS Exempt: TI defines "RoHS Exempt" to mean products that contain lead but are compliant with EU RoHS pursuant to a specific EU RoHS exemption.

Green: TI defines "Green" to mean the content of Chlorine (Cl) and Bromine (Br) based flame retardants meet JS709B low halogen requirements of <=1000ppm threshold. Antimony trioxide based flame retardants must also meet the <=1000ppm threshold requirement.

(3) MSL, Peak Temp. - The Moisture Sensitivity Level rating according to the JEDEC industry standard classifications, and peak solder temperature.

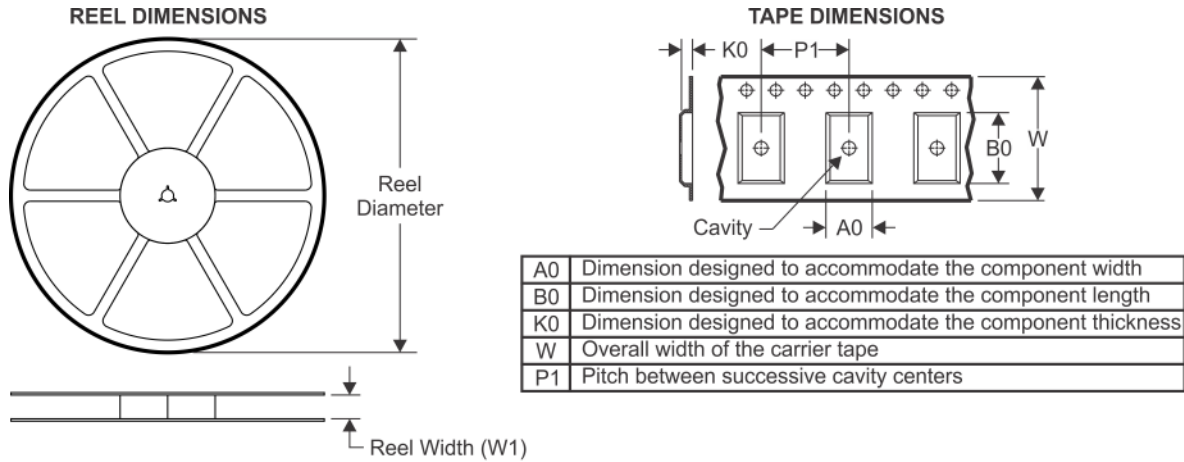
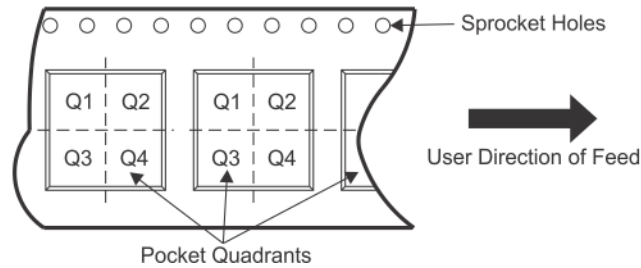
(4) There may be additional marking, which relates to the logo, the lot trace code information, or the environmental category on the device.

(5) Multiple Device Markings will be inside parentheses. Only one Device Marking contained in parentheses and separated by a "-" will appear on a device. If a line is indented then it is a continuation of the previous line and the two combined represent the entire Device Marking for that device.

(6) Lead finish/Ball material - Orderable Devices may have multiple material finish options. Finish options are separated by a vertical ruled line. Lead finish/Ball material values may wrap to two lines if the finish value exceeds the maximum column width.

Important Information and Disclaimer:The information provided on this page represents TI's knowledge and belief as of the date that it is provided. TI bases its knowledge and belief on information provided by third parties, and makes no representation or warranty as to the accuracy of such information. Efforts are underway to better integrate information from third parties. TI has taken and continues to take reasonable steps to provide representative and accurate information but may not have conducted destructive testing or chemical analysis on incoming materials and chemicals. TI and TI suppliers consider certain information to be proprietary, and thus CAS numbers and other limited information may not be available for release.

In no event shall TI's liability arising out of such information exceed the total purchase price of the TI part(s) at issue in this document sold by TI to Customer on an annual basis.

TAPE AND REEL INFORMATION

QUADRANT ASSIGNMENTS FOR PIN 1 ORIENTATION IN TAPE


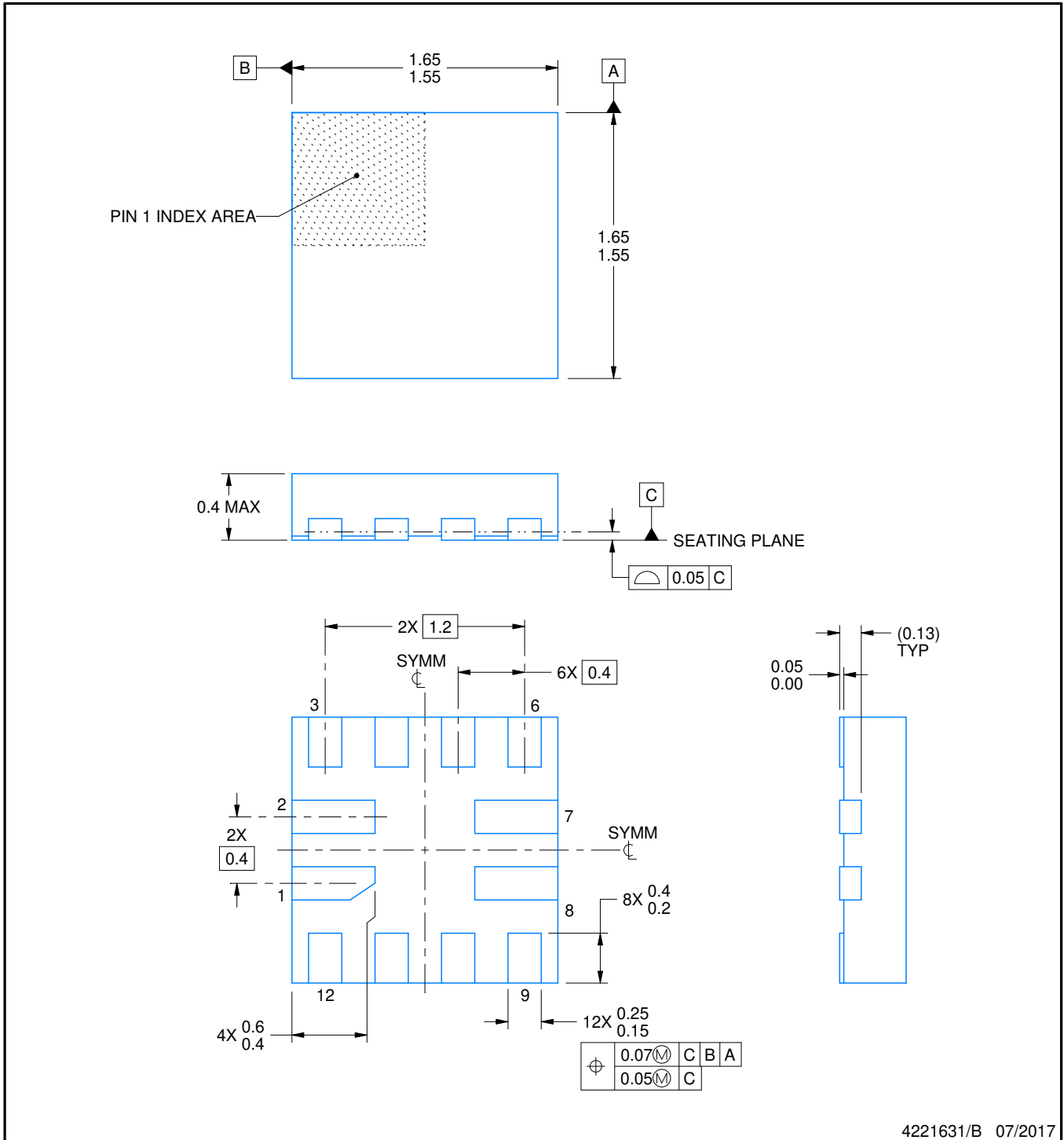
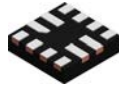
*All dimensions are nominal

Device	Package Type	Package Drawing	Pins	SPQ	Reel Diameter (mm)	Reel Width W1 (mm)	A0 (mm)	B0 (mm)	K0 (mm)	P1 (mm)	W (mm)	Pin1 Quadrant
TUSB321AIRWBR	X2QFN	RWB	12	3000	180.0	8.4	1.8	1.8	0.61	4.0	8.0	Q2

TAPE AND REEL BOX DIMENSIONS


*All dimensions are nominal

Device	Package Type	Package Drawing	Pins	SPQ	Length (mm)	Width (mm)	Height (mm)
TUSB321AIRWBR	X2QFN	RWB	12	3000	213.0	191.0	35.0



4221631/B 07/2017

NOTES:

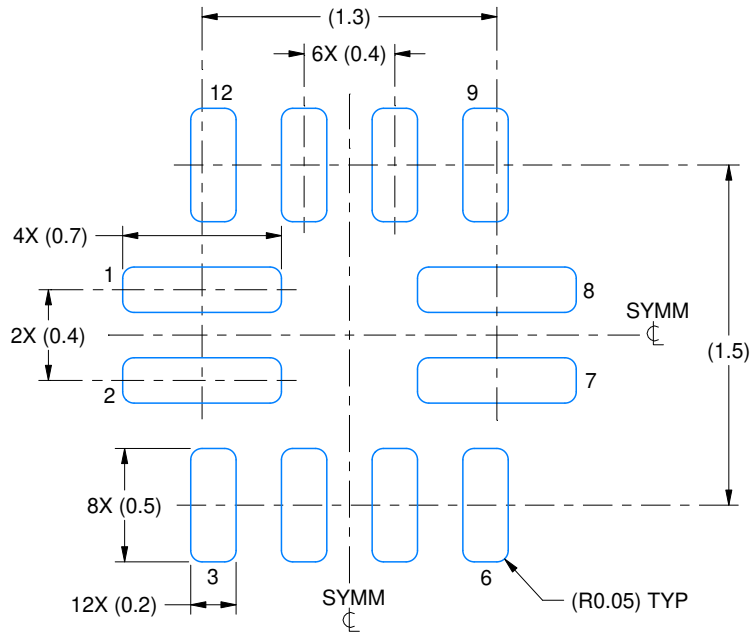
1. All linear dimensions are in millimeters. Any dimensions in parenthesis are for reference only. Dimensioning and tolerancing per ASME Y14.5M.
2. This drawing is subject to change without notice.

EXAMPLE BOARD LAYOUT

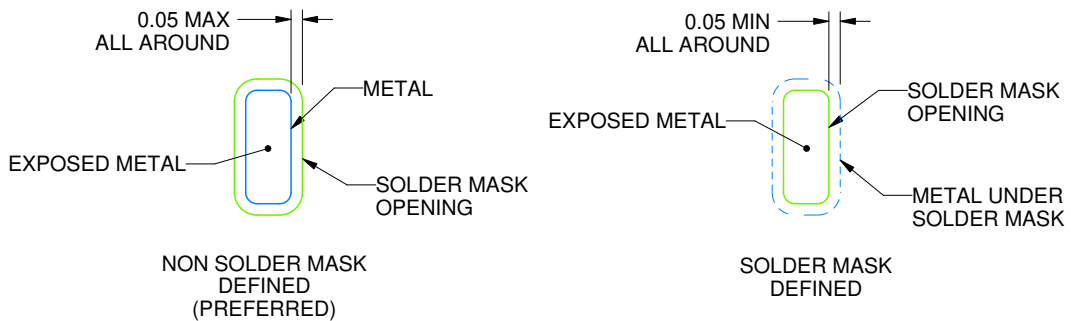
RWB0012A

X2QFN - 0.4 mm max height

PLASTIC QUAD FLATPACK - NO LEAD



LAND PATTERN EXAMPLE
EXPOSED METAL SHOWN
SCALE:30X



SOLDER MASK DETAILS

4221631/B 07/2017

NOTES: (continued)

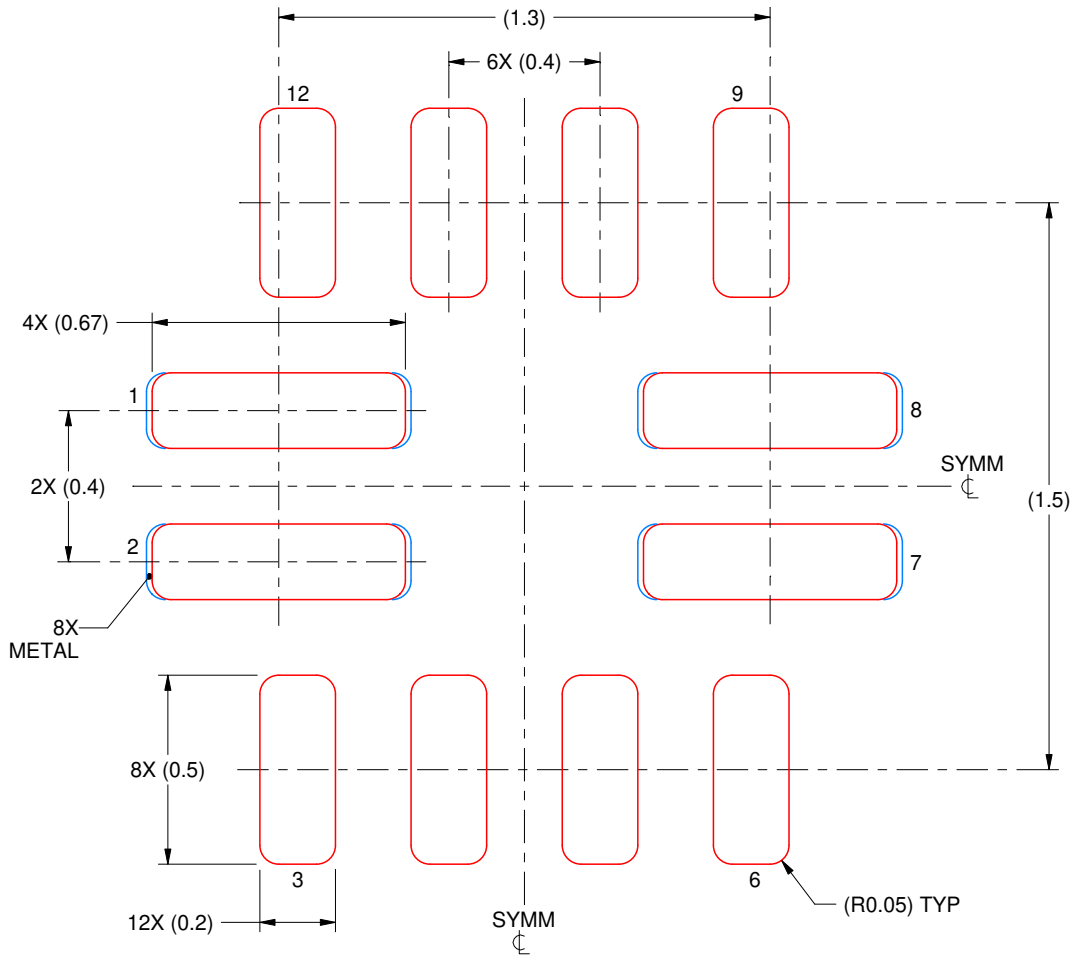
3. For more information, see Texas Instruments literature number SLUA271 (www.ti.com/lit/slua271).

EXAMPLE STENCIL DESIGN

RWB0012A

X2QFN - 0.4 mm max height

PLASTIC QUAD FLATPACK - NO LEAD



SOLDER PASTE EXAMPLE
BASED ON 0.1 mm THICK STENCIL
PADS 1,2,7 & 8
96% PRINTED SOLDER COVERAGE BY AREA
SCALE:50X

4221631/B 07/2017

NOTES: (continued)

4. Laser cutting apertures with trapezoidal walls and rounded corners may offer better paste release. IPC-7525 may have alternate design recommendations.

IMPORTANT NOTICE AND DISCLAIMER

TI PROVIDES TECHNICAL AND RELIABILITY DATA (INCLUDING DATASHEETS), DESIGN RESOURCES (INCLUDING REFERENCE DESIGNS), APPLICATION OR OTHER DESIGN ADVICE, WEB TOOLS, SAFETY INFORMATION, AND OTHER RESOURCES "AS IS" AND WITH ALL FAULTS, AND DISCLAIMS ALL WARRANTIES, EXPRESS AND IMPLIED, INCLUDING WITHOUT LIMITATION ANY IMPLIED WARRANTIES OF MERCHANTABILITY, FITNESS FOR A PARTICULAR PURPOSE OR NON-INFRINGEMENT OF THIRD PARTY INTELLECTUAL PROPERTY RIGHTS.

These resources are intended for skilled developers designing with TI products. You are solely responsible for (1) selecting the appropriate TI products for your application, (2) designing, validating and testing your application, and (3) ensuring your application meets applicable standards, and any other safety, security, or other requirements. These resources are subject to change without notice. TI grants you permission to use these resources only for development of an application that uses the TI products described in the resource. Other reproduction and display of these resources is prohibited. No license is granted to any other TI intellectual property right or to any third party intellectual property right. TI disclaims responsibility for, and you will fully indemnify TI and its representatives against, any claims, damages, costs, losses, and liabilities arising out of your use of these resources.

TI's products are provided subject to TI's Terms of Sale (<https://www.ti.com/legal/termsofsale.html>) or other applicable terms available either on [ti.com](https://www.ti.com) or provided in conjunction with such TI products. TI's provision of these resources does not expand or otherwise alter TI's applicable warranties or warranty disclaimers for TI products.

Mailing Address: Texas Instruments, Post Office Box 655303, Dallas, Texas 75265
Copyright © 2021, Texas Instruments Incorporated