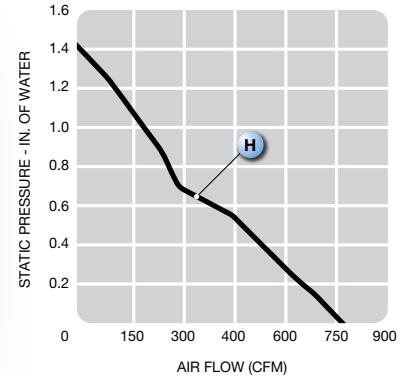
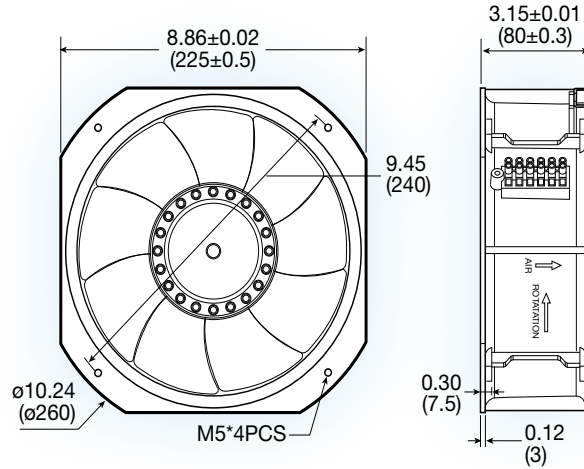


## MM22580H series\*

**(225 x 225 x 80 mm)**

8.86 x 8.86 x 3.15 inches

Construction: magnesium alloy impeller &amp; frame

Bearing option: ball bearing

Connection: terminal

Frame: flanged

Protection: thermal

Options: tachometer output or locked rotor alarm signal

Model No.	Rated Voltage V	Current mA		Speed RPM	Air Volume		Max. Static Pressure (H <sub>2</sub> O)		Sound Noise dbA	Weight kg
		24	48		M <sup>3</sup> /Min.	CFM	MM	INCH		
MM22580H	24/48	4200	2100	3,600	21	755	35.56	1.4	65	1.60

\*Not to be used for new designs