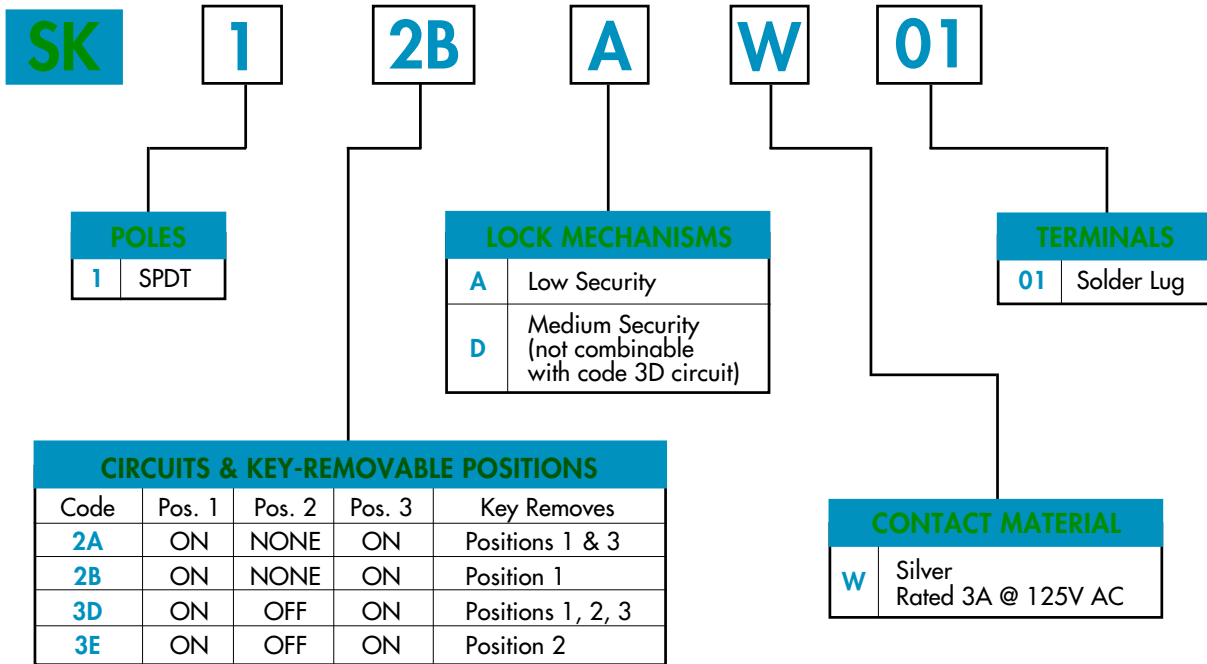


TYPICAL SWITCH ORDERING EXAMPLE



DESCRIPTION FOR TYPICAL ORDERING EXAMPLE

SK12BAW01



IMPORTANT:



Switches are supplied without UL & CSA marking unless specified. Specific models & ratings noted on General Specifications page.

GENERAL SPECIFICATIONS

Electrical Capacity (Resistive Load)

Power Level (code W): 3A @ 125V AC for low & medium security; 1A @ 250V AC for low security

Other Ratings

Contact Resistance: 10 milliohms maximum
Insulation Resistance: 1,000 megohms minimum @ 500V DC
Dielectric Strength: 1,000V AC minimum between contacts; 1,500V AC minimum between contacts & case
Mechanical Life: 30,000 cycles minimum
Electrical Life: 10,000 cycles minimum
Nominal Operating Torque: 270 grams-cm (3.74 ounce-in) for low & medium security
Contact Timing: Break before make
Angle of Throw: 90° for 2-position & 45° for 3-position

Materials & Finishes

Key: Zinc alloy with chrome plating (matte) for low security models;
brass with nickel plating (shiny) for medium security models
Tumbler Barrel: Zinc alloy with chrome plating (matte) for low security models;
zinc alloy with chrome plating (shiny) for medium security models
Housing/Bushing: Zinc alloy with chrome plating (matte) for low security models;
zinc alloy with chrome plating (shiny) for medium security models
Base: Phenolic resin (thermoset)
Movable Contactor: Silver
Stationary Contacts: Silver capped copper with silver plating
Terminals: Copper or brass with silver plating

Environmental Data

Operating Temp Range: -25°C through +70°C (-13°F through +158°F)
Humidity: 90 ~ 95% for 96 hours @ 40°C (104°F)
Vibration: 10 ~ 55 Hz with peak-to-peak amplitude of 1.5mm traversing the frequency range and returning in 1 minute; 3 right angled directions for 2 hours
Shock: 50g acceleration (tested in 6 right angled directions, with 5 shocks in each direction)

Installation

Mounting Torque: 15.3kgf/cm (13.3lb/in) in mounting torque
Soldering Time & Temperature: 3 seconds @ 350°C
Process Seal: Not available

Standards & Certifications

UL Recognized: All low security models recognized at 3A @ 125V AC or 1A @ 250V AC & all medium security models recognized at 3A @ 125V AC; UL File No. E44145
CSA Certified: All low security models certified at 3A @ 125V AC or 1A @ 250V AC; CSA File No. LR23535

POLES, CIRCUITS, & KEY-REMOVABLE POSITIONS

| Pole & Throw | Model | Key Positions | | | Connected Terminals (Terminal numbers are on switch) | | | Schematic | ⊙ = Key Removable ● = Not Removable ✓ = Maximum Arc |
|--------------|--------|---------------|-------|-------|---|-------|-------|-----------|---|
| | | Pos 1 | Pos 2 | Pos 3 | Pos 1 | Pos 2 | Pos 3 | | |
| SPDT | SK12A | ON | NONE | ON | COM-1 | ----- | COM-2 | | |
| SPDT | SK12B | ON | NONE | ON | COM-1 | ----- | COM-2 | | |
| SPDT | SK13D* | ON | OFF | ON | COM-1 | OPEN | COM-2 | | |
| SPDT | SK13E | ON | OFF | ON | COM-1 | OPEN | COM-2 | | |

* Available with low security only

KEY REMOVABLE

A Positions 1 & 3
(90° angular throw)

B Position 1
(90° angular throw)

D Positions 1, 2, & 3
(45° angular throw)

E Position 2
(45° angular throw)

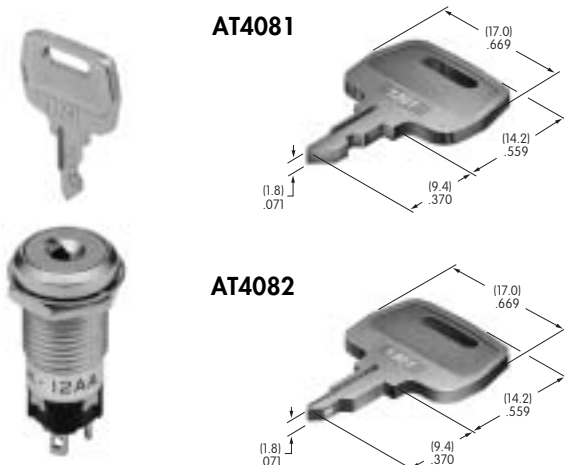
LOCK MECHANISMS & KEYS

A Low Security Mechanism with 3 Tumblers

Zinc Alloy with Chrome Plating (matte finish)

2 keys provided with each switch (no master key available).

For ordering additional keys:
AT4081 for SK12A and SK12B; marked "1201" or AT4082 for SK13D and SK13E; marked "1301".

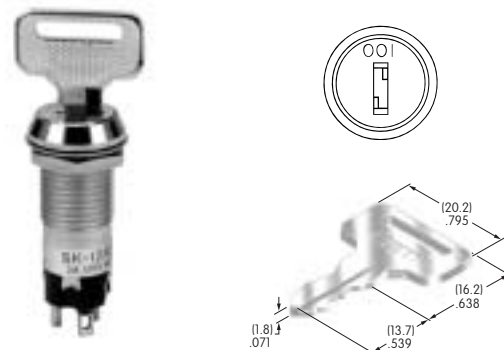


D Medium Security Mechanism with 4 Tumblers

Brass with Nickel Plating (shiny finish)

1 key provided with each switch (no master key available).

For ordering additional keys, indicate the same key number that is engraved on the face of your switch.



CONTACT MATERIALS, RATINGS, & TERMINALS

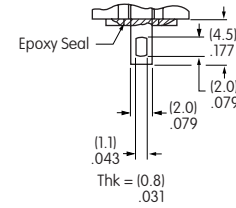
W Silver over Silver

Power Level

3A @ 125V AC

01 Solder Lug Terminals

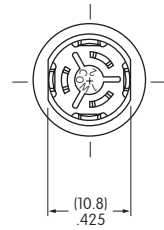
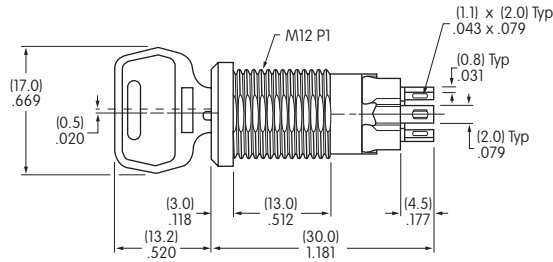
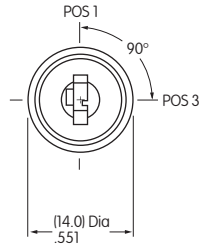
Solder lug terminals have a .043" X .079" oval hole which accommodates 1 solid 18-gauge wire or 2 solid or stranded 20-gauge wires.



TYPICAL SWITCH DIMENSIONS

Low Security • 90° Angular Throw

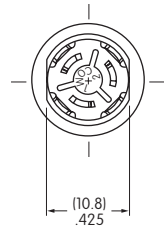
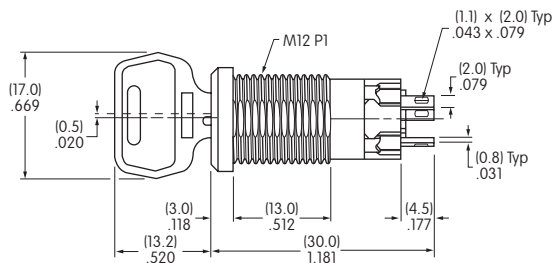
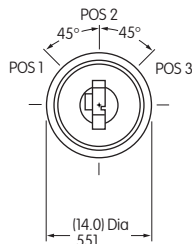
Single Pole



SK12BAW01

Low Security • 45° Angular Throw

Single Pole

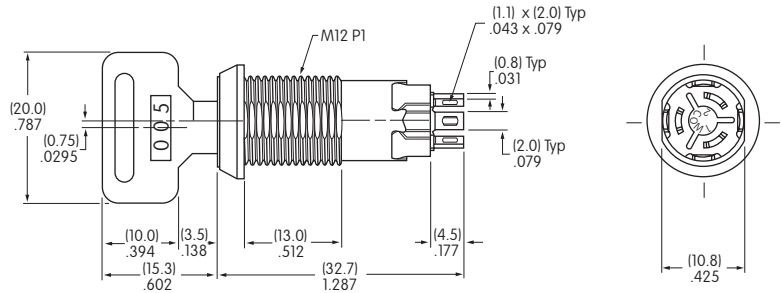
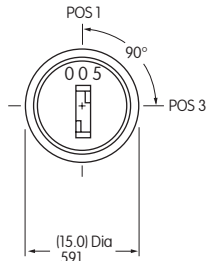


SK13EAW01

TYPICAL SWITCH DIMENSIONS

Medium Security • 90° Angular Throw

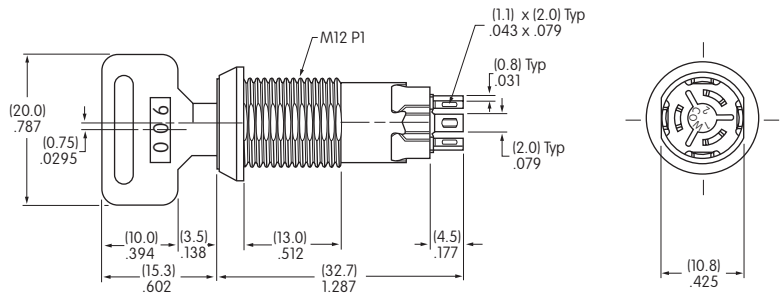
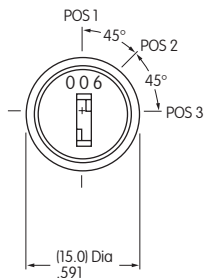
Single Pole



SK12ADW01

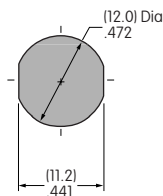
Medium Security • 45° Angular Throw

Single Pole



SK13EDW01

PANEL CUTOUT & THICKNESS



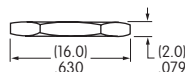
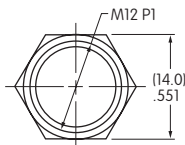
The 12mm bushing is 13.0mm (.512") long. It allows mounting these devices in a maximum effective panel thickness of 8.0mm (.315").

STANDARD HARDWARE

AT527M Hex Mounting Nut

1 included with each switch

Steel, nickel plating



AT508 Internal Tooth Lockwasher

1 included with each switch

Steel, chromate over zinc plating

