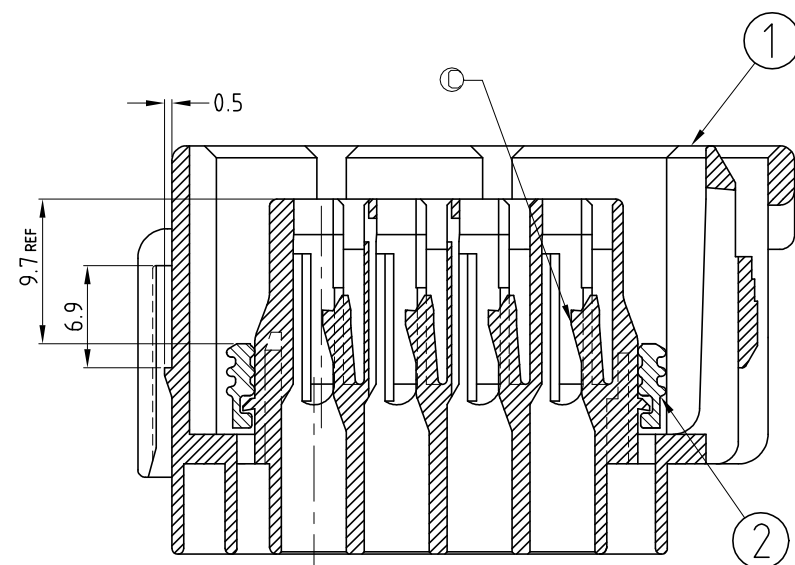
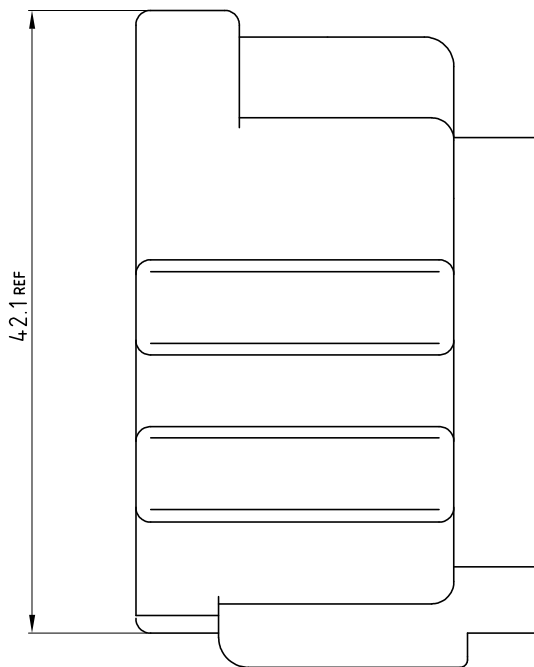
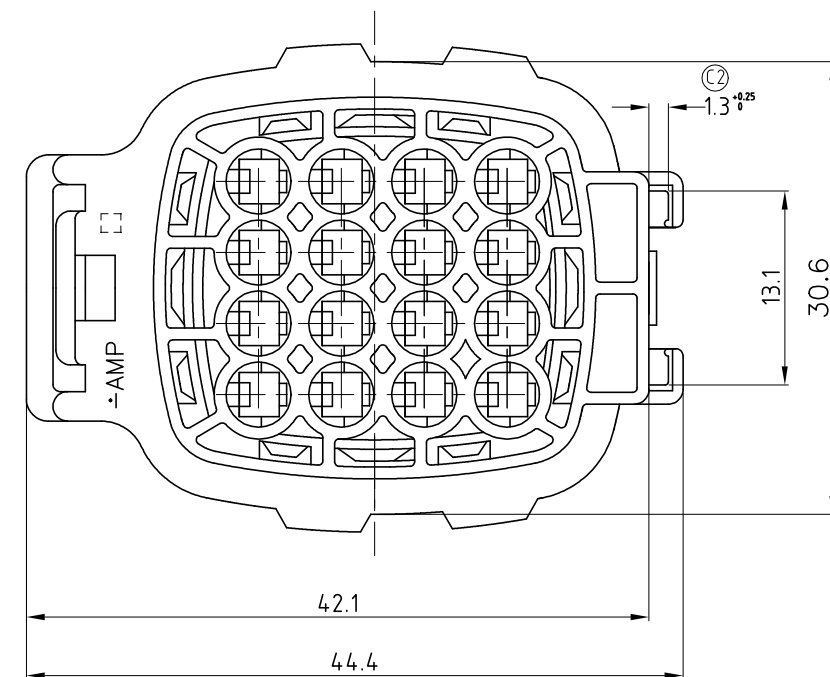
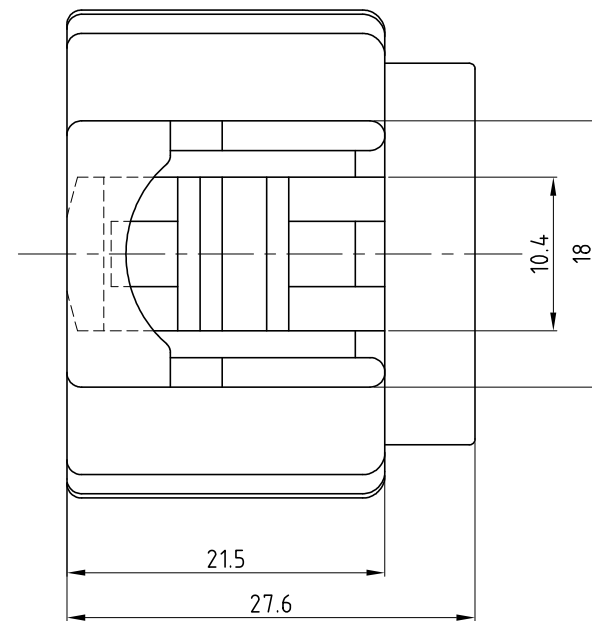
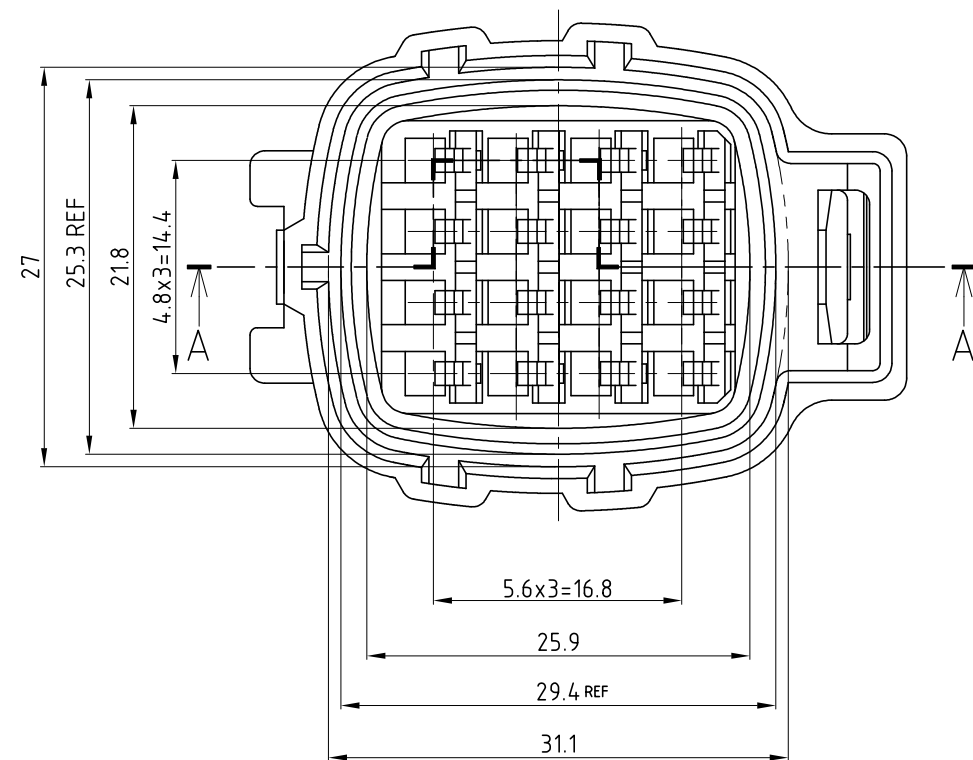


THIS DRAWING IS UNPUBLISHED. RELEASED FOR PUBLICATION ,1997 .  
 © COPYRIGHT 1997 BY AMP INCORPORATED. ALL RIGHTS RESERVED.

LOC	DIST	REVISIONS				
P	LTR	DESCRIPTION	DATE	DWN	APVD	
	C	REVISED ECN(FC00-0170-03)	12,DEC,03	YH	CS	
	C1	REVISED PER ECO-11-005294)	07,APR,11	RK	HMR	
	C2	REVISED (ECR-19-011119)	04.JUL.'19	JS	YJ	



NOTE.

- FOR CAP HOUSING P/N 368050
- THIS PART IS COMPOSED OF PLUG HOUSING P/N 368048 AND SEAL RING P/N 368810-1/-4
- THIS PART MUST BE USED WITH DOUBLE LOCK PLATE P/N 368049
- APPLICABLE CLIP P/N 368121

ASS'Y P/N	Q'TY PER ASS'Y
1-368047 - 3	1
1-368047 - 1	1
368047 - 3	1
368047 - 1	1

NO	PART NO.	DESCRIPTION	MATERIAL	COLOR	REV.	Q'TY PER ASS'Y
2	368810-4	SEAL RING FOR EJ MKII(+) PLUG ASS'Y	SILICONE	BROWN	E	1
	368810-1	SEAL RING FOR EJ MKII(+) PLUG ASS'Y	NBR	BLACK	E	1
1	368048-3	EJ MKII(+) 16Pos. PLUG HSG	PBT	GRAY	B	1
	368048-1	EJ MKII(+) 16Pos. PLUG HSG	PBT	BLACK	B	1

THIS DRAWING IS CONTROLLED DOCUMENT FOR AMP INCORPORATED. IT IS SUBJECT TO CHANGE AND THE CONTROLLING ENGINEERING ORGANIZATION SHOULD BE CONTACTED FOR THE LATEST REVISION.		DWN YH MA CHK BM JANG			
DIMENSIONS: MM TOLERANCES UNLESS OTHERWISE SPECIFIED: 0 <XX<10 ± 0.2 10<XX<30 ± 0.25 30<XX ± 0.3 ANGLES ± 3°		APVD CS LEE PRODUCT SPEC --- APPLICATION SPEC --- WEIGHT ---			
3rd ANGLE PROJECTION MATERIAL SEE TABLE FINISH		SIZE <b>A3</b>		CAGE CODE <b>00779</b>	
		DRAWING NO <b>368047</b>		SCALE 2:1 SHEET 1 OF 1 REV <b>C2</b>	