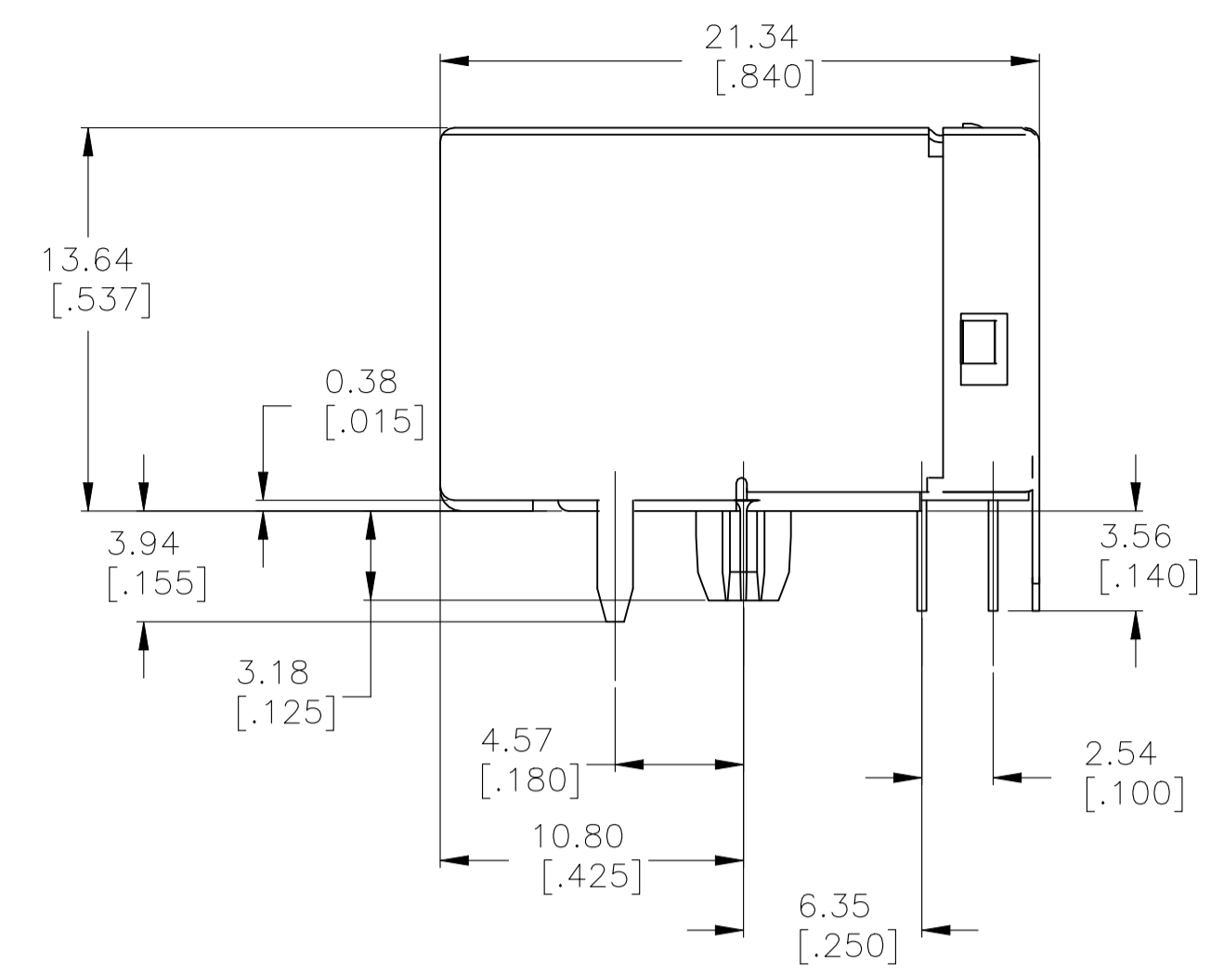
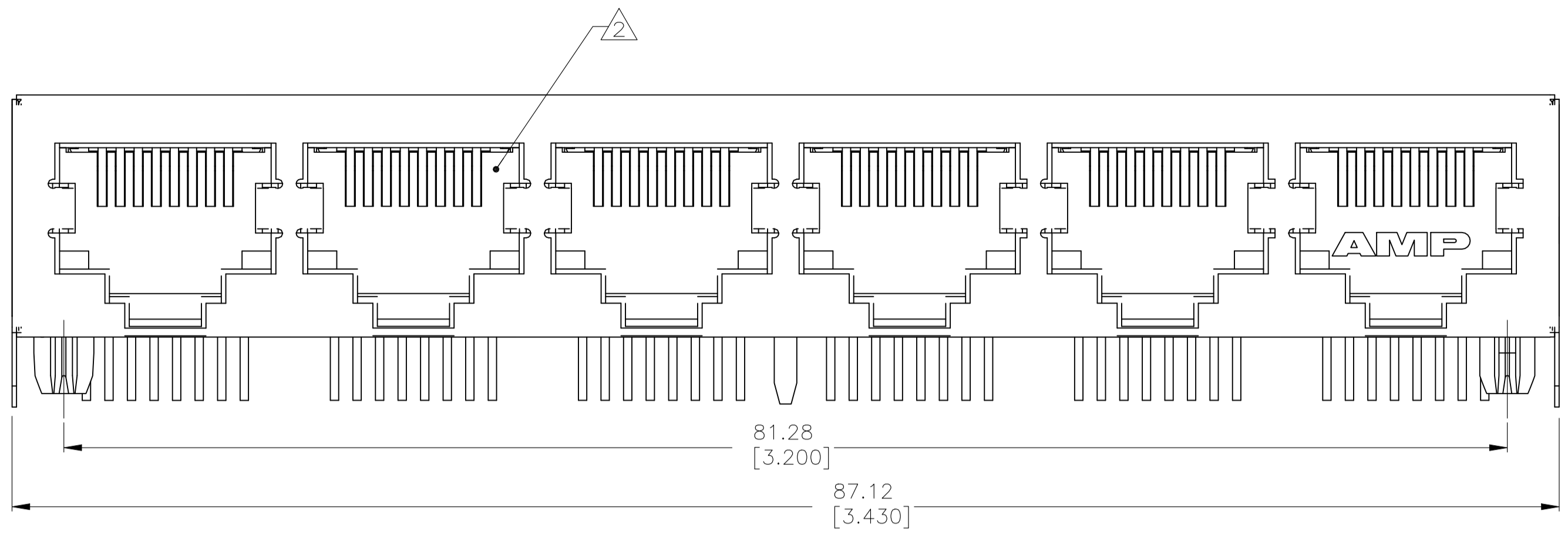
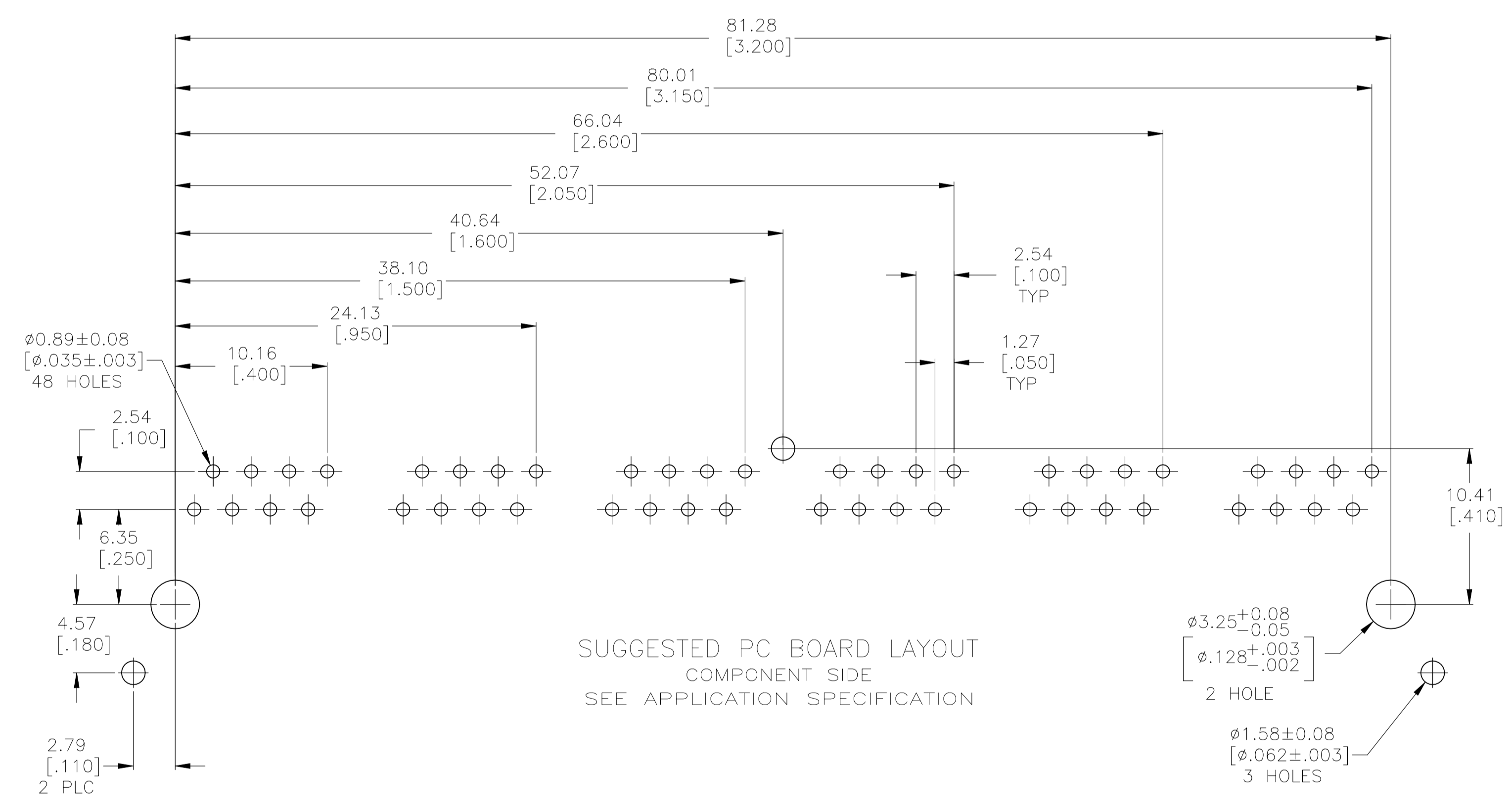


REVISIONS				
REV	DESCRIPTION	DATE	BY	APP'D
D1	ECR-19-014657	12DEC2020	RR	SZ



- MATERIAL: HOUSING-HIGH TEMPERATURE NYLON, BLACK, UL 94V-0.  
 TERMINALS - 0.33 [.013] THICK PHOS BRONZE PLATED WITH 1.27μm [.000050] MINIMUM HARD GOLD IN LOCALIZED AREA AND 3.81μm [.000150] MINIMUM MATTE TIN IN SOLDER AREA OVER  
 1.27μm [.000050] MINIMUM NICKEL UNDERPLATE  
 SHIELDS - 0.25 [.010] THICK COPPER ALLOY PLATED WITH 1.27μm [.000050] MIN NICKEL AND 2.03μm [.000080] MIN TIN HOT DIP ON PCB GROUND TABS.
- ⚠ JACK CAVITY CONFORMS TO FCC RULES AND REGULATIONS, PART 68 SUBPART F.
- ⚠ CAUTION: CATEGORY 5 JACK SOLDER TAIL POSITIONS DO NOT FOLLOW SAME NUMBER SEQUENCE AS THAT OF THE TRADITIONAL JACKS.



SUGGESTED PC BOARD LAYOUT  
 COMPONENT SIDE  
 SEE APPLICATION SPECIFICATION



5558504-1  
 PART NO.

THIS DRAWING IS A CONTROLLED DOCUMENT.		DIN W. LONG 3-8-94	TE Connectivity
DIMENSIONS: mm [INCHES]		CHK B. FOX 3-16-94	
TOLERANCES UNLESS OTHERWISE SPECIFIED:		APP'D G. REED 3-16-94	NAME
0. PLC ± -	1. PLC ± -	PRODUCT SPEC	MODULAR JACK ASSEMBLY, 6 PORT, 8 P, RIGHT ANGLE, CATEGORY 5e, GROUND SHIELD
2. PLC ± -	3. PLC ± 0.25 [.010]	APPLICATION SPEC	108-1163-2
4. PLC ± -	ANGLES ± -	SIZE	114-2048
MATERIAL SEE NOTE 1	FINISH SEE NOTE 1	WEIGHT	0.000000
		CUSTOMER DRAWING	SCALE 4:1 SHEET 1 of 1 REV D1