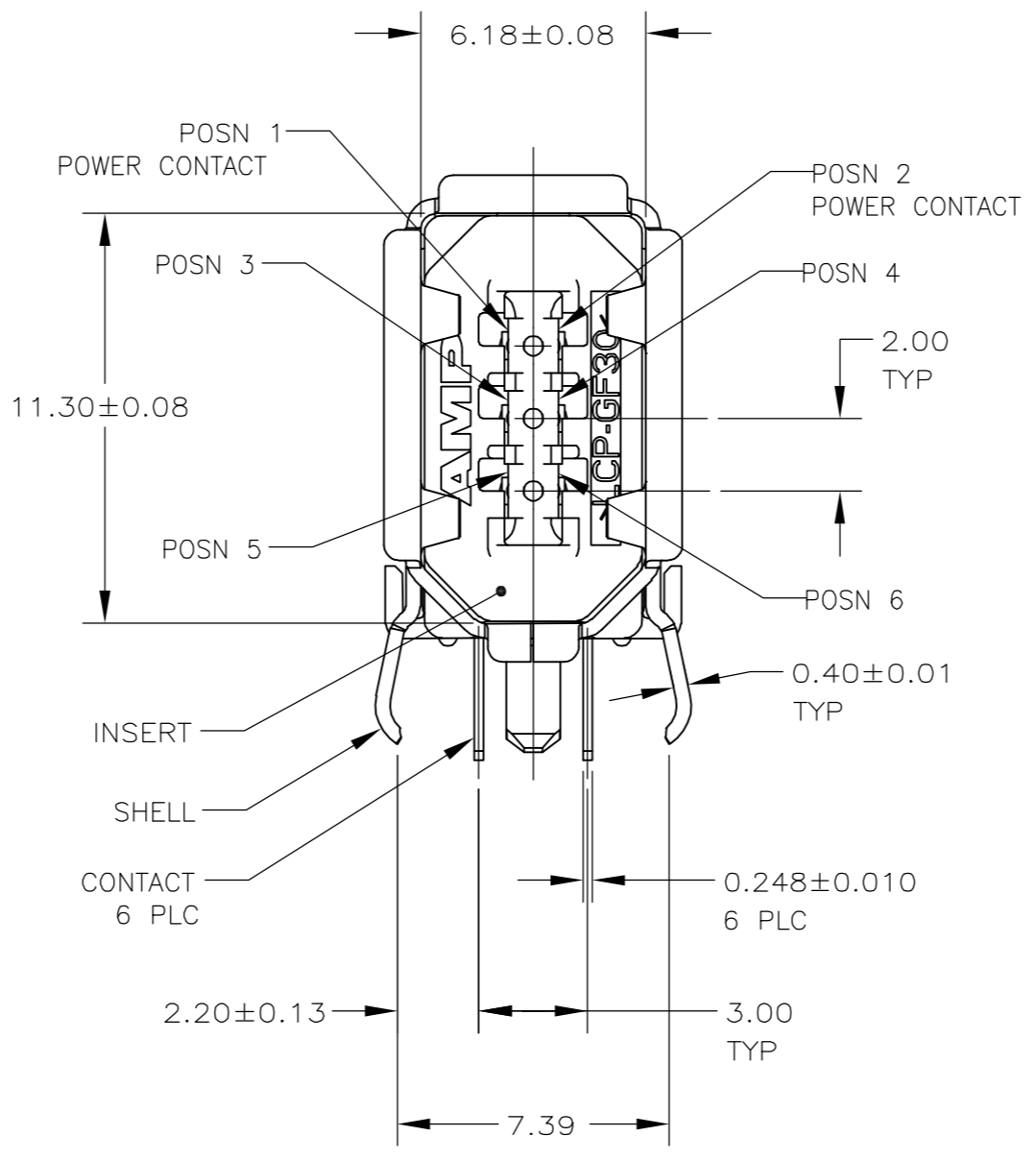
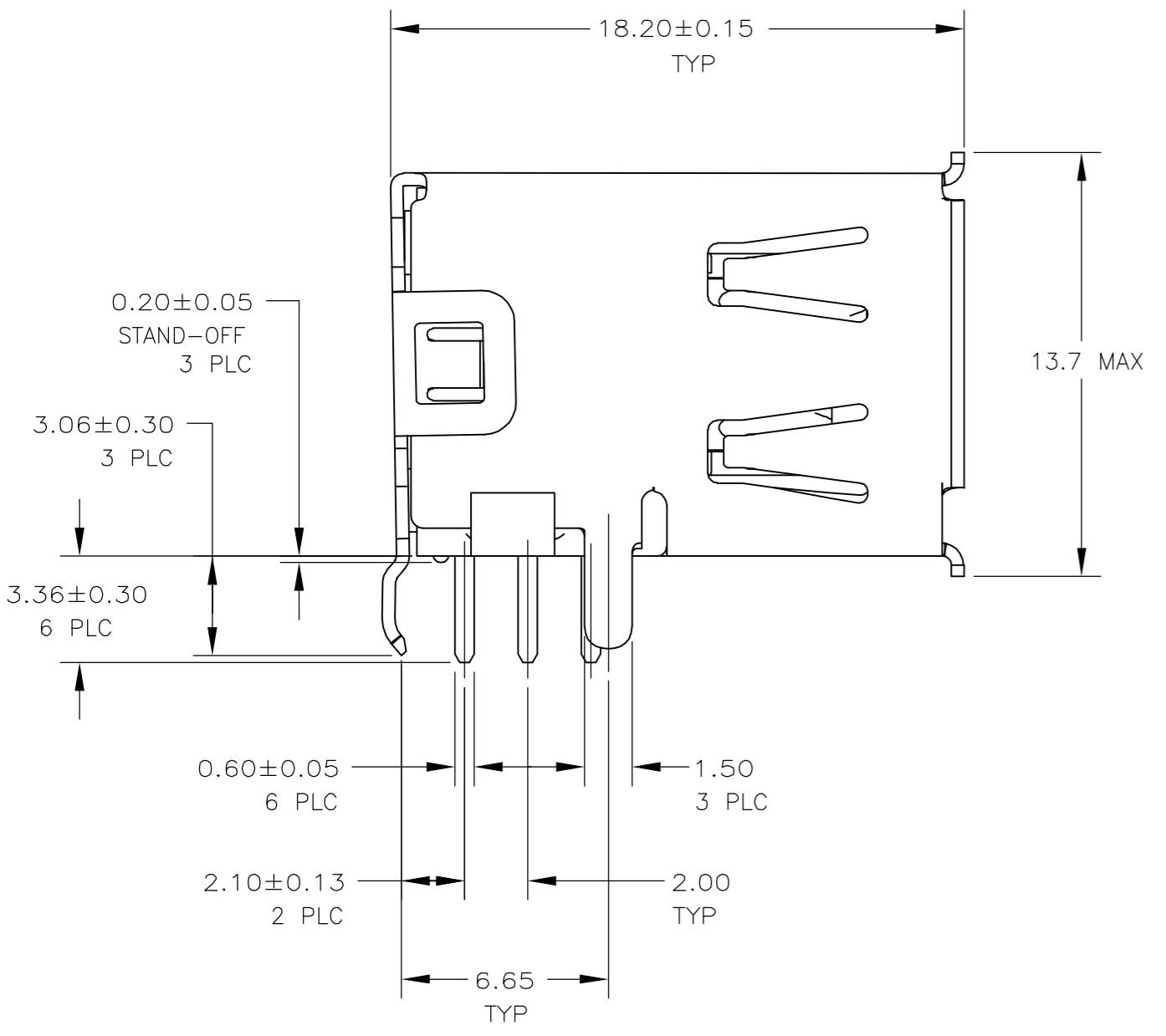
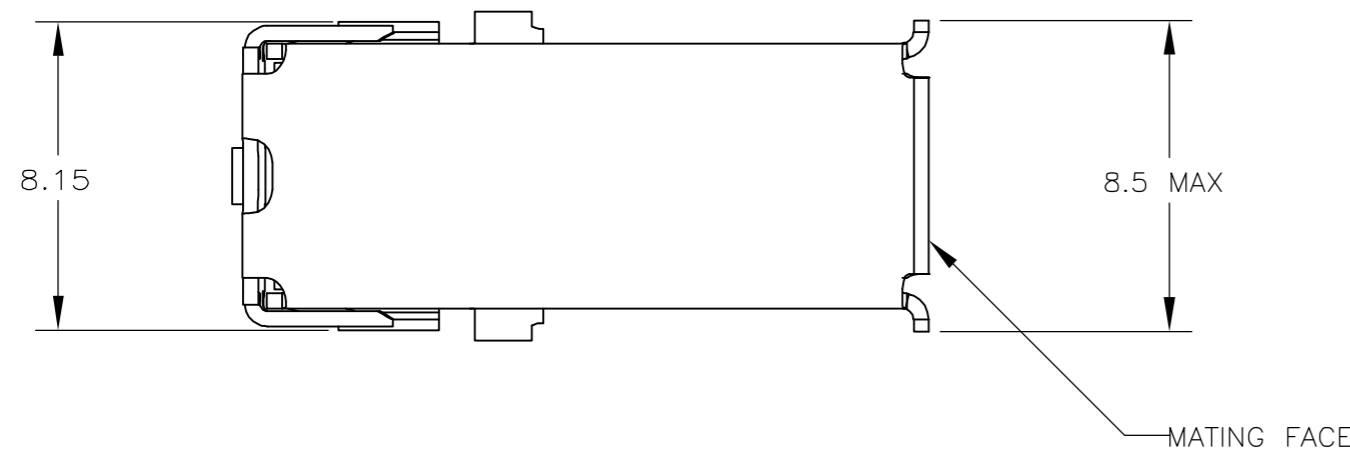
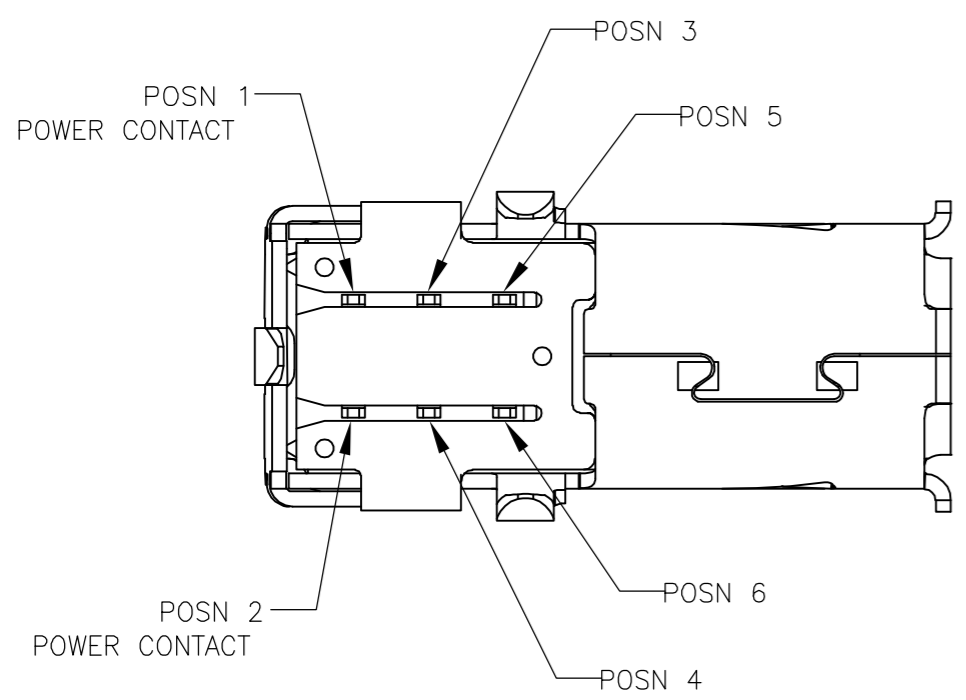
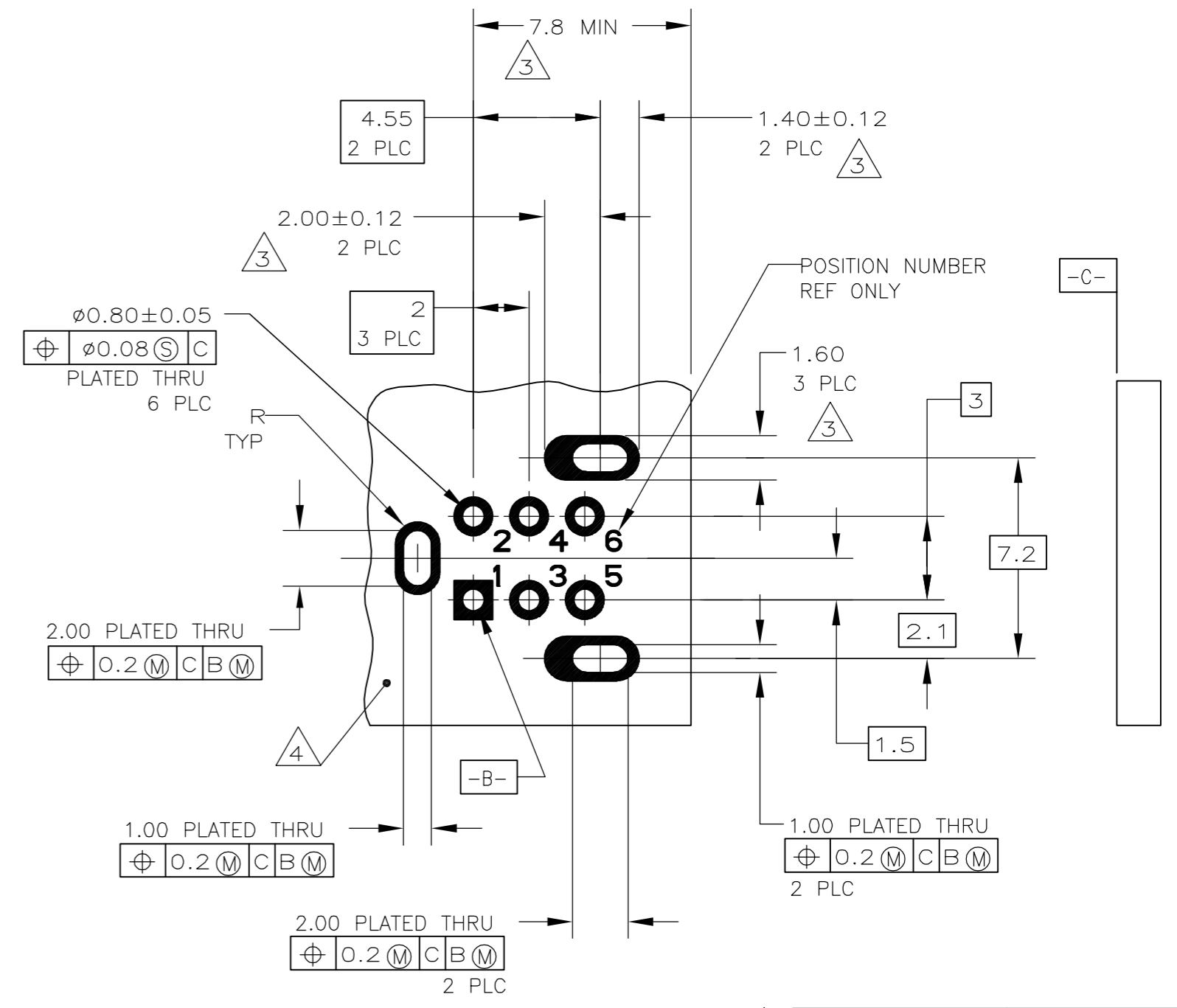


THIS DRAWING IS UNPUBLISHED. RELEASED FOR PUBLICATION  
 © COPYRIGHT BY TYCO ELECTRONICS CORPORATION. ALL RIGHTS RESERVED.

Loc		DIST		REVISIONS			
P	LTR	DESCRIPTION	DATE	DWN	APVD		
M		ECR-18-008666	11APR2019	T.Z	S.L		



- 1 CONTACTS: BRASS; SHELL: PHOS BRONZE; INSERT: LCP, BLACK, UL 94V-0 RATED.
- 2 CONTACTS: (0.076µm MIN GOLD OVER 0.76µm MIN PALLADIUM-NICKEL) OR (0.76µm MIN GOLD) FOR A LENGTH OF 2 MIN ON MATING FACE END, 3.81µm MIN TIN-LEAD FOR A LENGTH OF 3.75 MIN ON OPPOSITE END, ALL OVER 1.27µm MIN NICKEL; SHELL: 2.54µm MIN TIN.
- 3 COORDINATE DIMENSION APPLIES FROM CENTER OF ACTUAL FEATURE.
- 4 CONNECTOR SIDE OF PWB IS SHOWN.
- 5 SUPERSEDED BY 787956-1.



5	IN TUBES	787956-2
	IN TRAYS	787956-1
	PACKAGING	PART NO

OBSELETE

THIS DRAWING IS A CONTROLLED DOCUMENT.		DWN M.E.SHIRK 04JUN99	Tyco Electronics Corporation Shanghai, P.R. China, 200233
DIMENSIONS: mm		CHK J.CONDRIGE 04JUN99	
TOLERANCES UNLESS OTHERWISE SPECIFIED:		APVD -	NAME
0 PLC ± -		PRODUCT SPEC -	SOCKET ASSEMBLY, FLANGED, RIGHT-ANGLE UPRIGHT, IEEE P1394
1 PLC ± -		APPLICATION SPEC -	SIZE A2
2 PLC ± 0.1		WEIGHT -	CAGE CODE 00779
3 PLC ± -		CUSTOMER DRAWING	DRAWING NO C=787956
4 PLC ± -			RESTRICTED TO -
ANGLES ± -			SCALE 5:1
FINISH			SHEET 1 OF 1
1			REV M