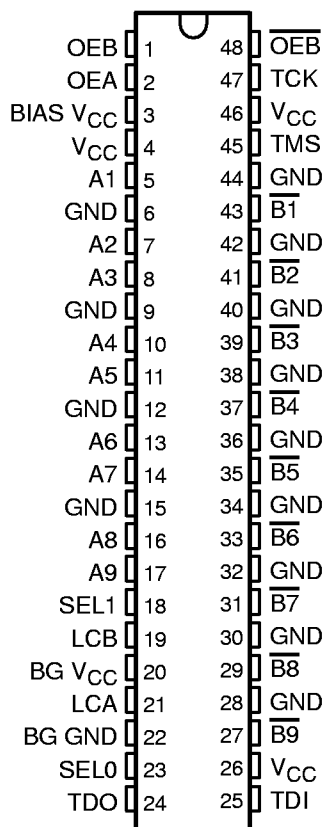


SN54FB2031, SN74FB2031 9-BIT TTL/BTL ADDRESS/DATA TRANSCEIVERS

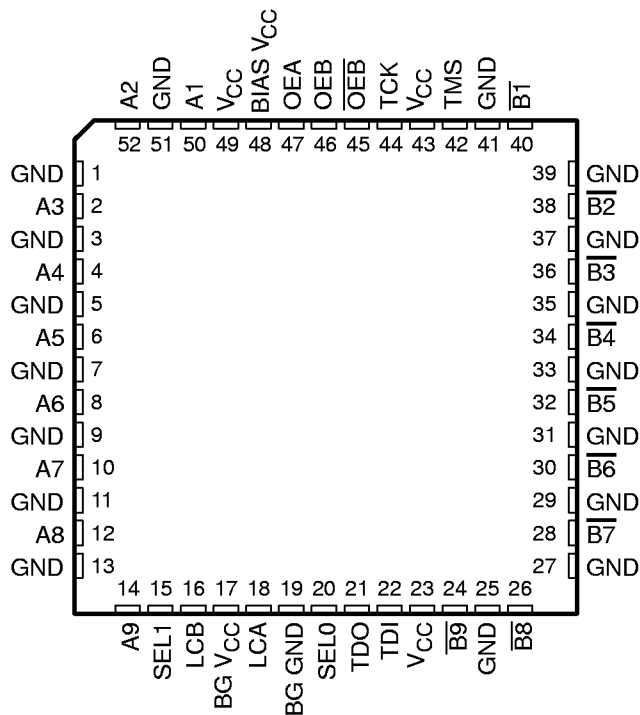
SCBS176H – NOVEMBER 1991 – REVISED JUNE 1997

- Compatible With IEEE Std 1194.1-1991 (BTL)
- TTL A Port, Backplane Transceiver Logic (BTL) \bar{B} Port
- Open-Collector \bar{B} -Port Outputs Sink 100 mA
- Isolated Logic-Ground and Bus-Ground Pins Reduce Noise
- High-Impedance State During Power Up and Power Down
- BIAS V_{CC} Minimizes Signal Distortion During Live Insertion or Withdrawal
- \bar{B} -Port Biasing Network Preconditions the Connector and PC Trace to the BTL High-Level Voltage
- TTL-Input Structures Incorporate Active Clamping to Aid in Line Termination
- Package Options Include Plastic Quad Flat (RC) Package and Ceramic Flat (WD) Package

SN54FB2031 . . . WD PACKAGE
(TOP VIEW)



SN74FB2031 . . . RC PACKAGE
(TOP VIEW)



description

The 'FB2031 are 9-bit transceivers designed to translate signals between TTL and backplane transceiver logic (BTL) environments. They are specifically designed to be compatible with IEEE Std 1194.1-1991.

The \bar{B} port operates at BTL-signal levels. The open-collector \bar{B} ports are specified to sink 100 mA. Two output enables (OEB and \bar{OEB}) are provided for the \bar{B} outputs. When OEB is low, \bar{OEB} is high, or V_{CC} is less than 2.1 V, the \bar{B} port is turned off.



Please be aware that an important notice concerning availability, standard warranty, and use in critical applications of Texas Instruments semiconductor products and disclaimers thereto appears at the end of this data sheet.

PRODUCTION DATA information is current as of publication date. Products conform to specifications per the terms of Texas Instruments standard warranty. Production processing does not necessarily include testing of all parameters.



POST OFFICE BOX 655303 • DALLAS, TEXAS 75265

Copyright © 1997, Texas Instruments Incorporated
On products compliant to MIL-PRF-38535, all parameters are tested unless otherwise noted. On all other products, production processing does not necessarily include testing of all parameters.

SN54FB2031, SN74FB2031 9-BIT TTL/BTL ADDRESS/DATA TRANSCEIVERS

SCBS176H – NOVEMBER 1991 – REVISED JUNE 1997

description (continued)

The A port operates at TTL signal levels. The A outputs reflect the inverse of the data at the \bar{B} port when the A-port output enable (OEA) is high. When OEA is low or V_{CC} is less than 2.1 V, the A outputs are in the high-impedance state.

Pins are allocated for the 4-wire IEEE Std 1149.1 (JTAG) test bus. TMS and TCK are not connected and TDI is shorted to TDO.

BIAS V_{CC} establishes a voltage between 1.62 V and 2.1 V on the BTL outputs when V_{CC} is not connected.

BG V_{CC} and BG GND are the supply inputs for the bias generator.

To ensure the high-impedance state during power up or power down, the A port should be tied to V_{CC} through a pullup resistor; the minimum value of the resistor is determined by the current-sinking capability of the driver.

The SN54FB2031 is characterized for operation over the full military temperature range of -55°C to 125°C . The SN74FB2031 is characterized for operation from 0°C to 70°C .

Function Tables

TRANSCEIVER

INPUTS			FUNCTION
OEA	OEB	$\overline{\text{OEB}}$	
L	H	L	\bar{A} data to B bus
H	L	X	\bar{B} data to A bus
H	X	H	
H	H	L	\bar{A} data to B bus, \bar{B} data to A bus
L	L	X	Isolation
L	X	H	

STORAGE MODE

LCA, LCB	RESULT
0	Transparent
1	Latches latched
\uparrow	Flip-flops triggered

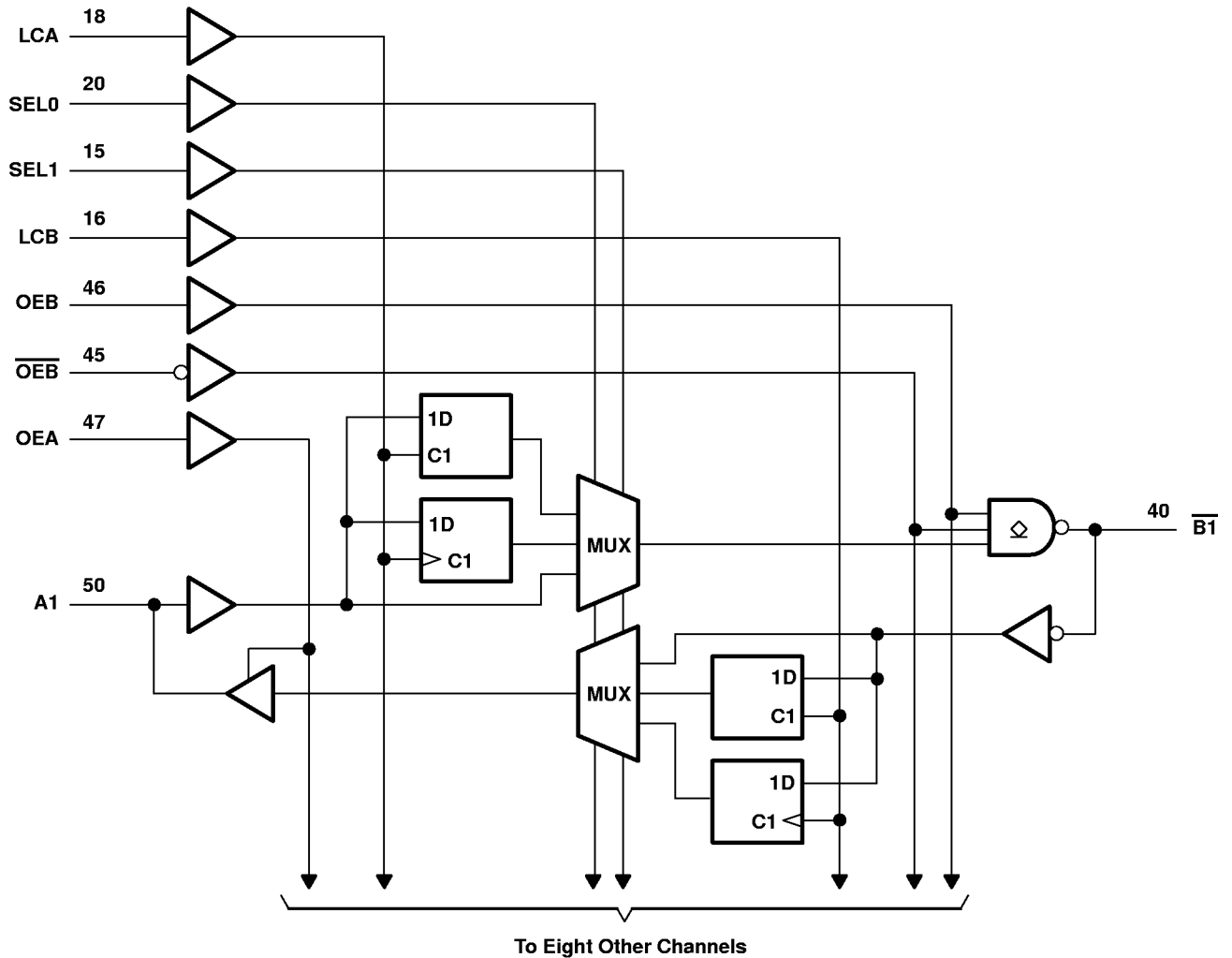
SELECT

SEL1	SEL0	MUX A→B	MUX B→A
0	0	Latch	Latch
0	1	Through	Through
1	0	Flip-flop	Flip-flop
1	1	Flip-flop	Latch

SN54FB2031, SN74FB2031 9-BIT TTL/BTL ADDRESS/DATA TRANSCEIVERS

SCBS176H – NOVEMBER 1991 – REVISED JUNE 1997

functional block diagram



Pin numbers shown are for the RC package.

SN54FB2031, SN74FB2031 9-BIT TTL/BTL ADDRESS/DATA TRANSCEIVERS

SCBS176H – NOVEMBER 1991 – REVISED JUNE 1997

absolute maximum ratings over operating free-air temperature range (unless otherwise noted)†

Supply voltage range, V_{CC}	-0.5 V to 7 V
Input voltage range, V_I : Except \bar{B} port	-1.2 V to 7 V
\bar{B} port	-1.2 V to 3.5 V
Voltage range applied to any \bar{B} output in the disabled or power-off state, V_O	-0.5 V to 3.5 V
Voltage range applied to any output in the high state, V_O	-0.5 V to V_{CC}
Input clamp current, I_{IK} : Except \bar{B} port	-40 mA
\bar{B} port	-18 mA
Current applied to any single output in the low state, I_O : A port	48 mA
\bar{B} port	200 mA
Package thermal impedance, θ_{JA} (see Note 1): RC package	79°C/W
Storage temperature range, T_{stg}	-65°C to 150°C

† Stresses beyond those listed under “absolute maximum ratings” may cause permanent damage to the device. These are stress ratings only, and functional operation of the device at these or any other conditions beyond those indicated under “recommended operating conditions” is not implied. Exposure to absolute-maximum-rated conditions for extended periods may affect device reliability.

NOTE 1: The package thermal impedance is calculated in accordance with JESD 51.

recommended operating conditions (see Note 2)

		SN54FB2031			SN74FB2031			UNIT
		MIN	NOM	MAX	MIN	NOM	MAX	
V_{CC} , BIAS V_{CC} , BG V_{CC}	Supply voltage	4.5	5	5.5	4.5	5	5.5	V
V_{IH}	High-level input voltage	\bar{B} port	1.62*	2.3	1.62	2.3		V
		Except \bar{B} port	2		2			
V_{IL}	Low-level input voltage	\bar{B} port	0.75	1.47*	0.75	1.47		V
		Except \bar{B} port		0.8		0.8		
I_{OH}	High-level output current			-3			-3	mA
I_{OL}	Low-level output current	A port		24			24	mA
		\bar{B} port		100		100		
T_A	Operating free-air temperature	-55	125		0	70		°C

* On products compliant to MIL-PRF-38535, this parameter is warranted but not production tested.

NOTE 2: Unused pins (input or I/O) must be held high or low to prevent them from floating.



SN54FB2031, SN74FB2031 9-BIT TTL/BTL ADDRESS/DATA TRANSCEIVERS

SCBS176H – NOVEMBER 1991 – REVISED JUNE 1997

electrical characteristics over recommended operating free-air temperature range (unless otherwise noted)

PARAMETER		TEST CONDITIONS		SN54FB2031			SN74FB2031			UNIT
				MIN	TYP†	MAX	MIN	TYP†	MAX	
V _{IK}	\bar{B} port	V _{CC} = 4.5 V,	I _I = -18 mA			-1.2			-1.2	V
	Except \bar{B} port	V _{CC} = 4.5 V,	I _I = -40 mA			-0.5			-0.5	
V _{OH}	A port	V _{CC} = 4.5 V	I _{OH} = -1 mA			3.2				V
			I _{OH} = -3 mA	2.5	3.3	2.5	3.3			
V _{OL}	A port	V _{CC} = 4.5 V	I _{OL} = 20 mA			0.31				V
			I _{OL} = 24 mA			0.35	0.5	0.35	0.5	
	\bar{B} port	V _{CC} = 4.5 V	I _{OL} = 80 mA	0.70	1.2	0.75	1.1			
			I _{OL} = 100 mA			1.15	1.15			
I _I	Except \bar{B} port	V _{CC} = 5.5 V,	V _I = 5.5 V			50			50	μA
I _{IH} ‡	Except \bar{B} port	V _{CC} = 5.5 V,	V _I = 2.7 V			50			50	μA
I _{IL} ‡	Except \bar{B} port	V _{CC} = 5.5 V	V _I = 0.5 V			-50			-50	μA
	\bar{B} port		V _I = 0.75 V			-100			-100	
I _{OZH}	A port	V _{CC} = 2.1 V to 5.5 V,	V _O = 2.7 V			50			50	μA
I _{OZL}	A port	V _{CC} = 2.1 V to 5.5 V,	V _O = 0.5 V			-50			-50	μA
I _{OZPU} §	A port	V _{CC} = 0 to 2.1 V,	V _O = 0.5 V to 2.7 V			50			50	μA
I _{OZPD} §	A port	V _{CC} = 2.1 V to 0,	V _O = 0.5 V to 2.7 V			-50			-50	μA
I _{OH}	\bar{B} port	V _{CC} = 0 to 5.5 V,	V _O = 2.1 V			100			100	μA
I _{OS} ¶	A port	V _{CC} = 5.5 V,	V _O = 0	-30	-150	-30	-150			mA
I _{CC}	A port to \bar{B} port	V _{CC} = 5.5 V,	I _O = 0			70			78	mA
	\bar{B} port to A port					80			78	
C _i		V _I = 0.5 V or 2.5 V				13			4.5	pF
C _{io} §	A port	V _O = 0.5 V or 2.5 V				13			8.5	pF
	\bar{B} port per IEEE Std 1194.1-1991	V _{CC} = 0 to 5.5 V				12			6	

† All typical values are at V_{CC} = 5 V, T_A = 25°C.

‡ For I/O ports, the parameters I_{IH} and I_{IL} include the off-state output current.

§ This parameter is warranted but not production tested.

¶ Not more than one output should be shorted at a time, and the duration of the short circuit should not exceed one second.

live-insertion specifications over recommended operating free-air temperature range

PARAMETER		TEST CONDITIONS		SN54FB2031		SN74FB2031		UNIT
				MIN	MAX	MIN	MAX	
I _{CC} (BIAS V _{CC})	V _{CC} = 0 to 4.5 V	V _B = 0 to 2 V,	V _I (BIAS V _{CC}) = 4.5 V to 5.5 V	450		450		μA
	V _{CC} = 4.5 V to 5.5 V			10		10		
V _O	\bar{B} port	V _{CC} = 0,	V _I (BIAS V _{CC}) = 5 V	1.62	2.1	1.62	2.1	V
I _O	\bar{B} port	V _{CC} = 0,	V _B = 1 V,	-30		-1		μA
		V _{CC} = 0 to 5.5 V,	OEB = 0 to 0.8 V	100		100		
		V _{CC} = 0 to 2.2 V,	OEB = 0 to 5 V	100		100		



SN54FB2031, SN74FB2031 9-BIT TTL/BTL ADDRESS/DATA TRANSCEIVERS

SCBS176H – NOVEMBER 1991 – REVISED JUNE 1997

timing requirements over recommended ranges of supply voltage and operating free-air temperature (unless otherwise noted) (see Figure 1)

			SN54FB2031		SN74FB2031		UNIT
			MIN	MAX	MIN	MAX	
f_{clock}	Clock frequency		0	150	0	150	MHz
t_w	Pulse duration, LCA or LCB		3.3		3.3		ns
t_{su}	Clock mode	Data before LCA \uparrow	1.5		1.4		ns
		Data before LCB \uparrow	2.8		2.8		
	Latch mode	Data before LCA \uparrow	1.1		1.1		
		Data before LCB \uparrow	2.4		2.4		
t_h	Clock mode	Data after LCA \uparrow	0.6		0.6		ns
		Data after LCB \uparrow	0		0		
	Latch mode	Data after LCA \uparrow	0.9		0.9		
		Data after LCB \uparrow	0		0		



SN54FB2031, SN74FB2031 9-BIT TTL/BTL ADDRESS/DATA TRANSCEIVERS

SCBS176H – NOVEMBER 1991 – REVISED JUNE 1997

switching characteristics over recommended ranges of supply voltage and operating free-air temperature (unless otherwise noted) (see Figure 1)

PARAMETER	FROM (INPUT)	TO (OUTPUT)	SN54FB2031					UNIT
			V _{CC} = 5 V, T _A = 25°C			MIN	MAX	
			MIN	TYP	MAX			
f _{max}			150			150	MHz	
t _{PLH}	A (through mode)	\bar{B}	1.2	4.5	7	1	8	ns
t _{PHL}			1	4	6.7	0.8	7.8	
t _{PLH}	A (transparent)	\bar{B}	1.4	5	7.3	1.2	8.6	ns
t _{PHL}			1.2	4.5	7.2	1	8.3	
t _{PLH}	LCA	\bar{B}	1.4	5.4	7.7	1	9.1	ns
t _{PHL}			1.6	5.1	7.9	1.1	9	
t _{PLH}	LCB	A	1	3.7	7	0.7	7.9	ns
t _{PHL}			0.9	3.4	6.9	0.6	7.4	
t _{PLH}	SEL1 or SEL0	A	0.7	3.8	6.4	0.5	7.9	ns
t _{PHL}			0.8	3.5	6.3	0.6	7.1	
t _{PLH}	SEL1 or SEL0	\bar{B}	1.3	5.3	7.8	1.1	9.3	ns
t _{PHL}			1.1	5.2	7.9	0.9	9.2	
t _{PLH}	\bar{B} (through mode)	A	0.9	4	6.8	0.7	8.6	ns
t _{PHL}			1.1	3.4	6.9	0.6	7.6	
t _{PLH}	\bar{B} (transparent)	A	1	4.2	7.6	1	9	ns
t _{PHL}			1.4	3.9	7.4	1	8.2	
t _{PLH}	OEB or \overline{OEB}	\bar{B}	1	4.6	7.3	0.8	8.4	ns
t _{PHL}			1	4.3	6.9	0.6	8.2	
t _{PZH}	OEA	A	0.4	3.1	6.2	0.3	7.3	ns
t _{PZL}			0.4	2.7	6.1	0.3	7	
t _{PHZ}	OEA	A	0.3	3.1	6.4	0.2	7.1	ns
t _{PLZ}			0.4	3.3	6.5	0.3	7.2	
t _{sk(p)}	Skew for any single channel t _{PHL} – t _{PLH}	A	0.5					ns
		\bar{B}	0.3					
t _{sk(o)}	Skew between drivers in the same package	A	0.2					ns
		\bar{B}	0.3					
t _t	Transition time, \bar{B} outputs (1.3 V to 1.8 V)		0.4	2	4.5	0.4	4.5	ns
	Transition time, \bar{A} outputs (10% to 90%)		0.5	3.5	4.7	0	6.4	
\bar{B} -port input pulse rejection			1			1		ns



SN54FB2031, SN74FB2031 9-BIT TTL/BTL ADDRESS/DATA TRANSCEIVERS

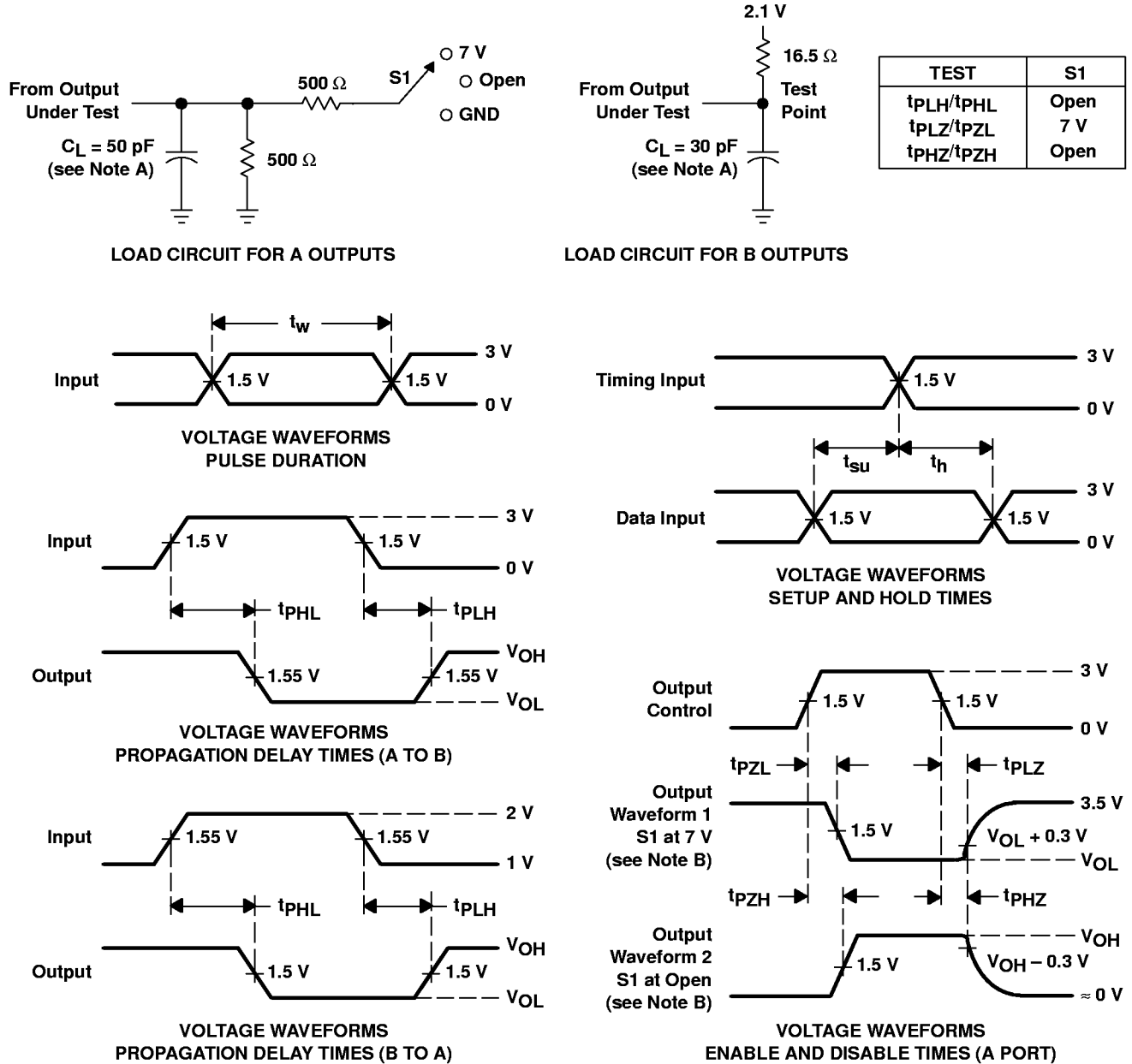
SCBS176H – NOVEMBER 1991 – REVISED JUNE 1997

switching characteristics over recommended ranges of supply voltage and operating free-air temperature (unless otherwise noted) (see Figure 1)

PARAMETER	FROM (INPUT)	TO (OUTPUT)	SN74FB2031				UNIT			
			V _{CC} = 5 V, T _A = 25°C			MIN		MAX		
			MIN	TYP	MAX					
f _{max}			150			150	MHz			
t _{PLH}	A (through mode)	\bar{B}	3.7	4.5	5.9	3.2	6.6	ns		
t _{PHL}			2.9	4	5.7	2.6	5.9			
t _{PLH}	A (transparent)	\bar{B}	4.1	5	6.5	3.6	7.3	ns		
t _{PHL}			3.3	4.5	6.1	3	6.5			
t _{PLH}	LCA	\bar{B}	4.5	5.4	7	3.9	7.8	ns		
t _{PHL}			4	5.1	6.7	3.4	7.4			
t _{PLH}	LCB	A	2.8	3.7	4.7	1.9	6	ns		
t _{PHL}			2.5	3.4	4.9	1.8	5.5			
t _{PLH}	SEL1 or SEL0	A	2.5	3.8	5.3	1.9	6.3	ns		
t _{PHL}			2.2	3.5	5.1	1.6	5.6			
t _{PLH}	SEL1 or SEL0	\bar{B}	4.1	5.3	6.9	3.7	7.8	ns		
t _{PHL}			3.7	5.2	6.9	3.3	7.7			
t _{PLH}	\bar{B} (through mode)	A	3.1	4	5.6	2.2	7.1	ns		
t _{PHL}			2.6	3.4	4.9	1.4	5.7			
t _{PLH}	\bar{B} (transparent)	A	3.3	4.2	5.9	2.4	7.6	ns		
t _{PHL}			2.8	3.9	5.5	1.8	6.3			
t _{PLH}	OEB or \overline{OEB}	\bar{B}	3.7	4.6	6.1	3.2	6.7	ns		
t _{PHL}			2.9	4.3	5.8	2.5	6.4			
t _{PZH}	OEA	A	2.3	3.1	4.5	1.6	5	ns		
t _{PZL}			1.9	2.7	4.1	1.6	4.4			
t _{PHZ}	OEA	A	2.2	3.1	4.5	1.5	5.2	ns		
t _{PLZ}			2.5	3.3	4.9	2	5.2			
t _{sk(p)}	Skew for any single channel t _{PHL} - t _{PLH}	A	\bar{B}	0.5				ns		
		\bar{B}	A	0.3						
t _{sk(o)}	Skew between drivers in the same package	A	\bar{B}	0.2				ns		
		\bar{B}	A	0.3						
t _t	Transition time, \bar{B} outputs (1.3 V to 1.8 V)				0.6	2	2.8	0.4	2.9	ns
	Transition time, A outputs (10% to 90%)				0.5	3.5	4.7	0	5.4	
\bar{B} -port input pulse rejection						1		1		ns



PARAMETER MEASUREMENT INFORMATION



- NOTES: A. C_L includes probe and jig capacitance.
 B. Waveform 1 is for an output with internal conditions such that the output is low except when disabled by the output control. Waveform 2 is for an output with internal conditions such that the output is high except when disabled by the output control.
 C. All input pulses are supplied by generators having the following characteristics: TTL inputs: PRR $\leq 10 \text{ MHz}$, $Z_O = 50 \Omega$, $t_r \leq 2.5 \text{ ns}$, $t_f \leq 2.5 \text{ ns}$; BTL inputs: PRR $\leq 10 \text{ MHz}$, $Z_O = 50 \Omega$, $t_r \leq 2.5 \text{ ns}$, $t_f \leq 2.5 \text{ ns}$.
 D. The outputs are measured one at a time with one transition per measurement.

Figure 1. Load Circuits and Voltage Waveforms

IMPORTANT NOTICE

Texas Instruments (TI) reserves the right to make changes to its products or to discontinue any semiconductor product or service without notice, and advises its customers to obtain the latest version of relevant information to verify, before placing orders, that the information being relied on is current.

TI warrants performance of its semiconductor products and related software to the specifications applicable at the time of sale in accordance with TI's standard warranty. Testing and other quality control techniques are utilized to the extent TI deems necessary to support this warranty. Specific testing of all parameters of each device is not necessarily performed, except those mandated by government requirements.

Certain applications using semiconductor products may involve potential risks of death, personal injury, or severe property or environmental damage ("Critical Applications").

TI SEMICONDUCTOR PRODUCTS ARE NOT DESIGNED, INTENDED, AUTHORIZED, OR WARRANTED TO BE SUITABLE FOR USE IN LIFE-SUPPORT APPLICATIONS, DEVICES OR SYSTEMS OR OTHER CRITICAL APPLICATIONS.

Inclusion of TI products in such applications is understood to be fully at the risk of the customer. Use of TI products in such applications requires the written approval of an appropriate TI officer. Questions concerning potential risk applications should be directed to TI through a local SC sales office.

In order to minimize risks associated with the customer's applications, adequate design and operating safeguards should be provided by the customer to minimize inherent or procedural hazards.

TI assumes no liability for applications assistance, customer product design, software performance, or infringement of patents or services described herein. Nor does TI warrant or represent that any license, either express or implied, is granted under any patent right, copyright, mask work right, or other intellectual property right of TI covering or relating to any combination, machine, or process in which such semiconductor products or services might be or are used.