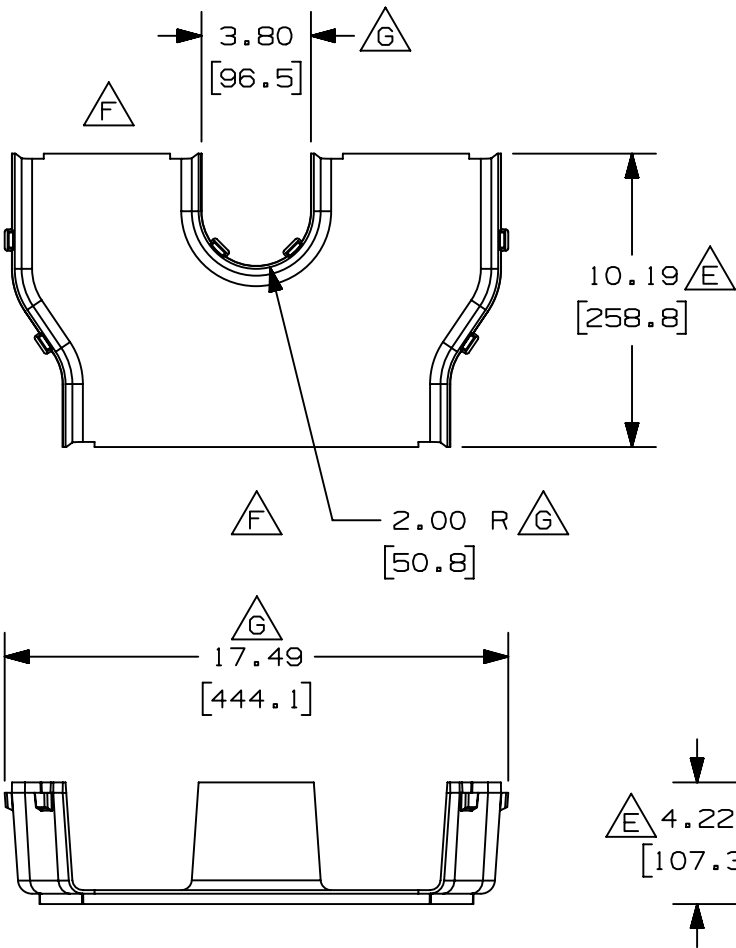


THIS COPY IS PROVIDED ON A RESTRICTED BASIS AND IS NOT TO BE USED IN ANY WAY DETRIMENTAL TO THE INTERESTS OF PANDUIT CORP.



NOTES:

1. SEE CURRENT CATALOG FOR ADDITIONAL PART SUFFIXES TO INDICATE COLOR AND/OR PACKAGE QUANTITY.
2. DIMENSIONS IN PARENTHESES ARE IN METRIC.
3. THE FIBERRUNNER 12x4 "Y" TRANSITION WITH 6" EXITS IS DESIGNED WITH A MINIMUM 2" (50.8) BEND RADIUS TO PROTECT FIBER OPTIC CABLES.

PANDUIT PART NUMBER	WEIGHT	MATERIAL
FRY126**	1.43 LB/EACH (647g/EACH)	ABS
FRY126L**	1.43 LB/EACH (647g/EACH)	PC/ABS

REV	DATE	BY	CHK	APR	DESCRIPTION	ECN
06B	08/25/20	PJST	DWR	DWR	ADDED PART NUMBER	V09002DZ/11
01	07/20/06	DTP	RN	RN	G. ADDED DIMENSIONS F. REMOVED DIMENSIONS E. RELOCATED DIMENSIONS D. REVISED PART WEIGHT C. REVISED GENERAL NOTES B. REVISED CAD FILENAME A. REVISED DRAWING TITLE	37617-100
R	02/13/01	JHNU	CEO	HIW	RELEASED TO PRODUCTION	37617-100

TITLE FIBERRUNNER 12x4 "Y" TRANSITION WITH 6" EXITS (FRY126** & FRY126L**) CUSTOMER DRAWING	
ITEM REVISION NAME D37617DP/06	
DATASET FILE NAME D37617DP_DC_FRY126/06B	
MATERIAL: SEE PART NUMBER TABLE ABOVE	
DRAWING NUMBER: 37617-100	
DRAWN BY JHNU	DATE 02/13/01
CHK HIW	SCALE NONE
THIRD ANGLE PROJECTION	
SHT 1 OF 1	
SIZE A	

D10100DA/14