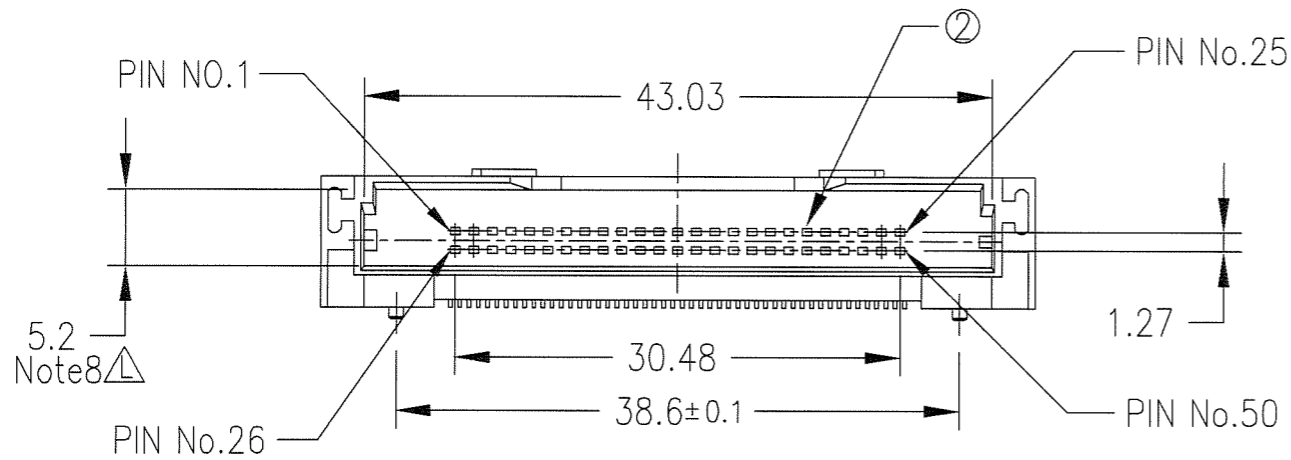
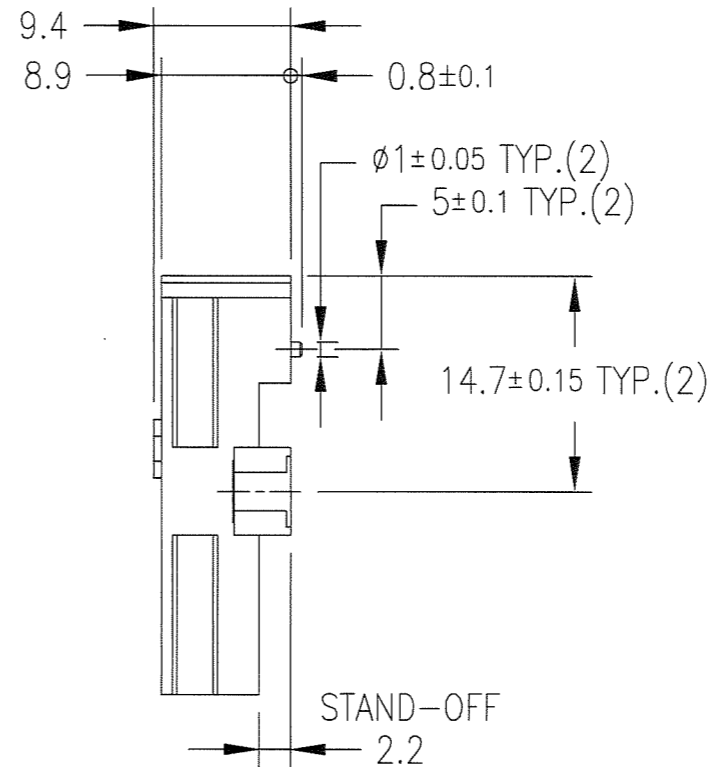
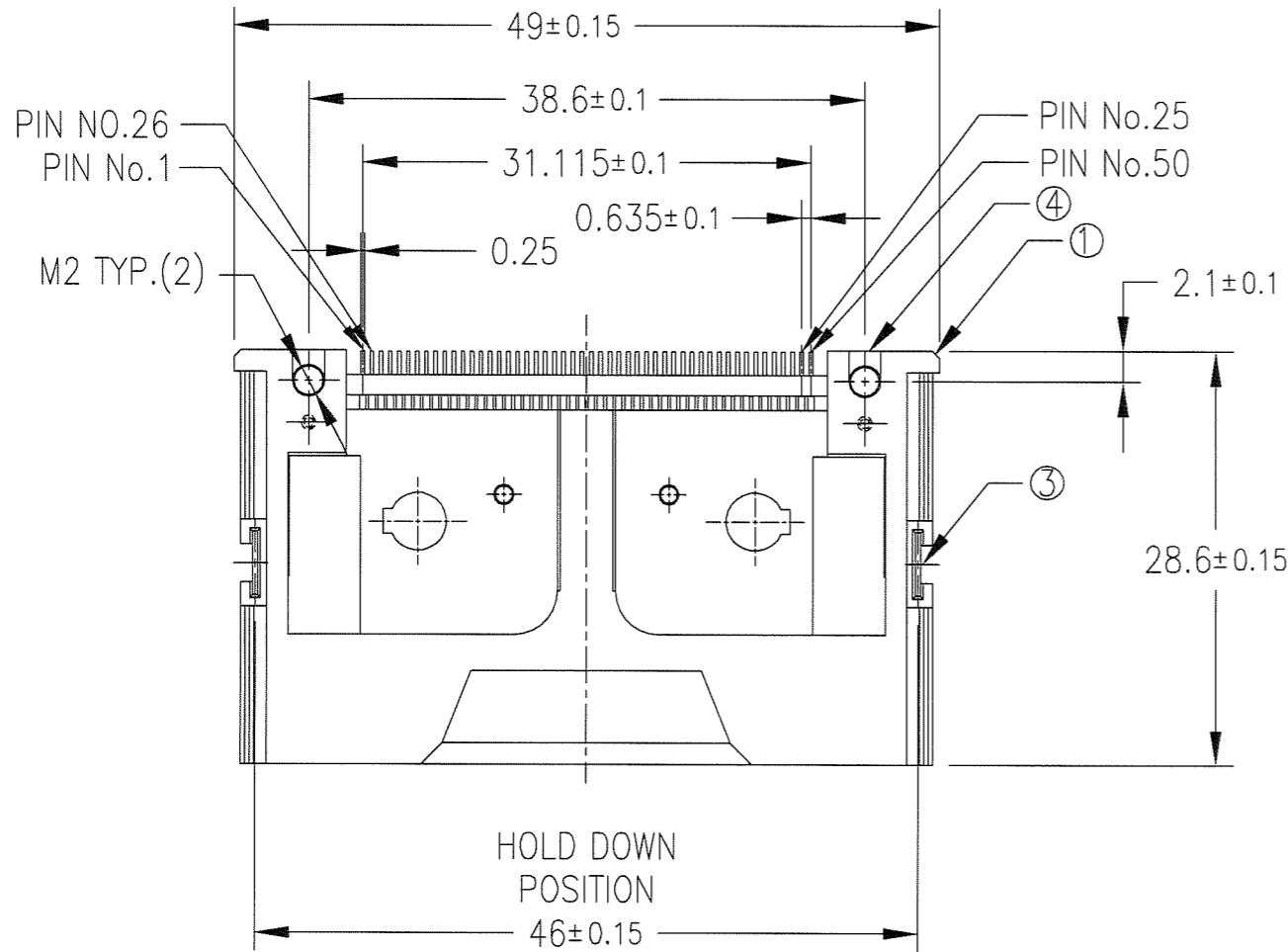


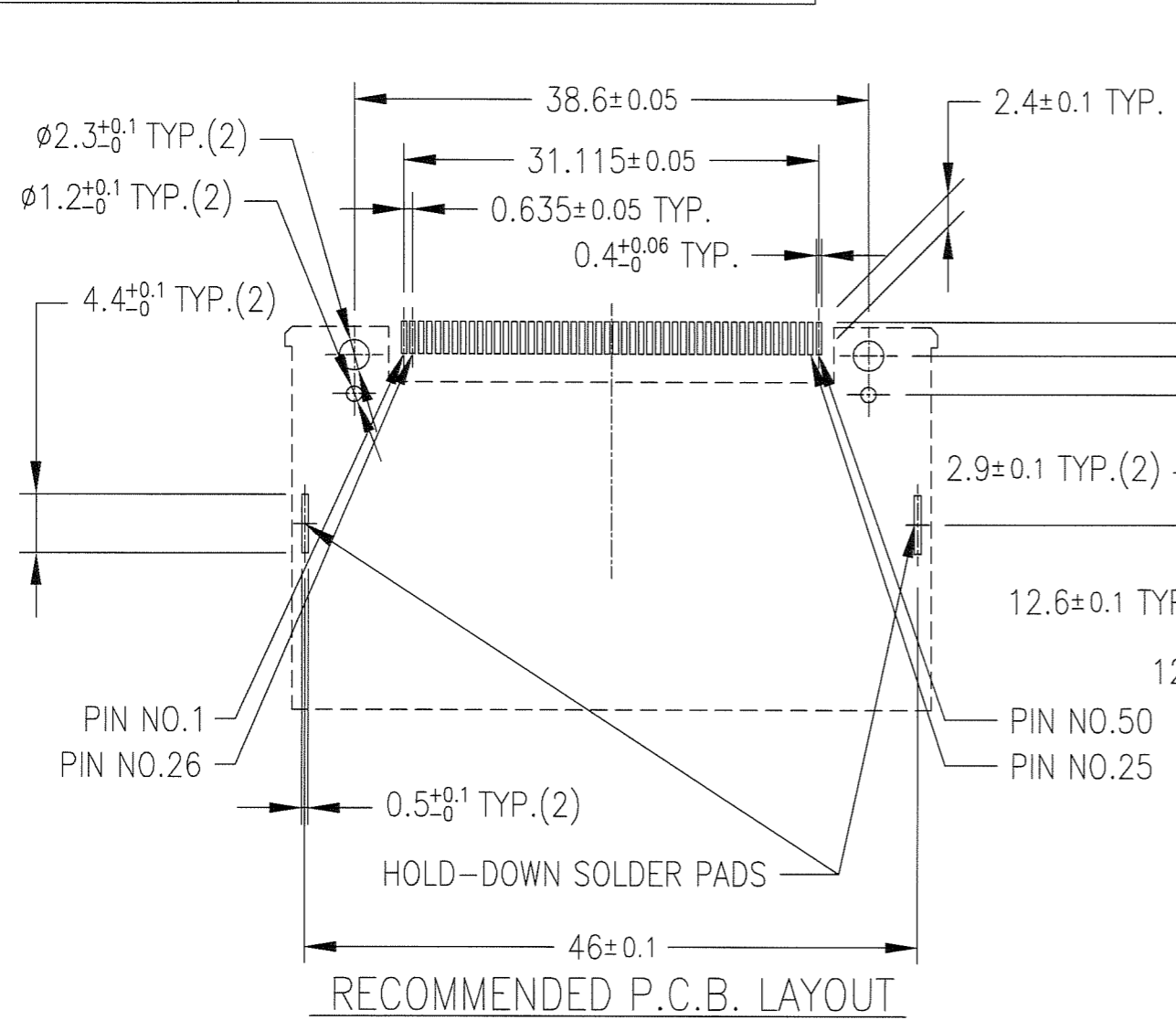
PRODUCT NO.	REMARKS
62453-022LF	WITH METAL PLATE(M2 SCREWS)



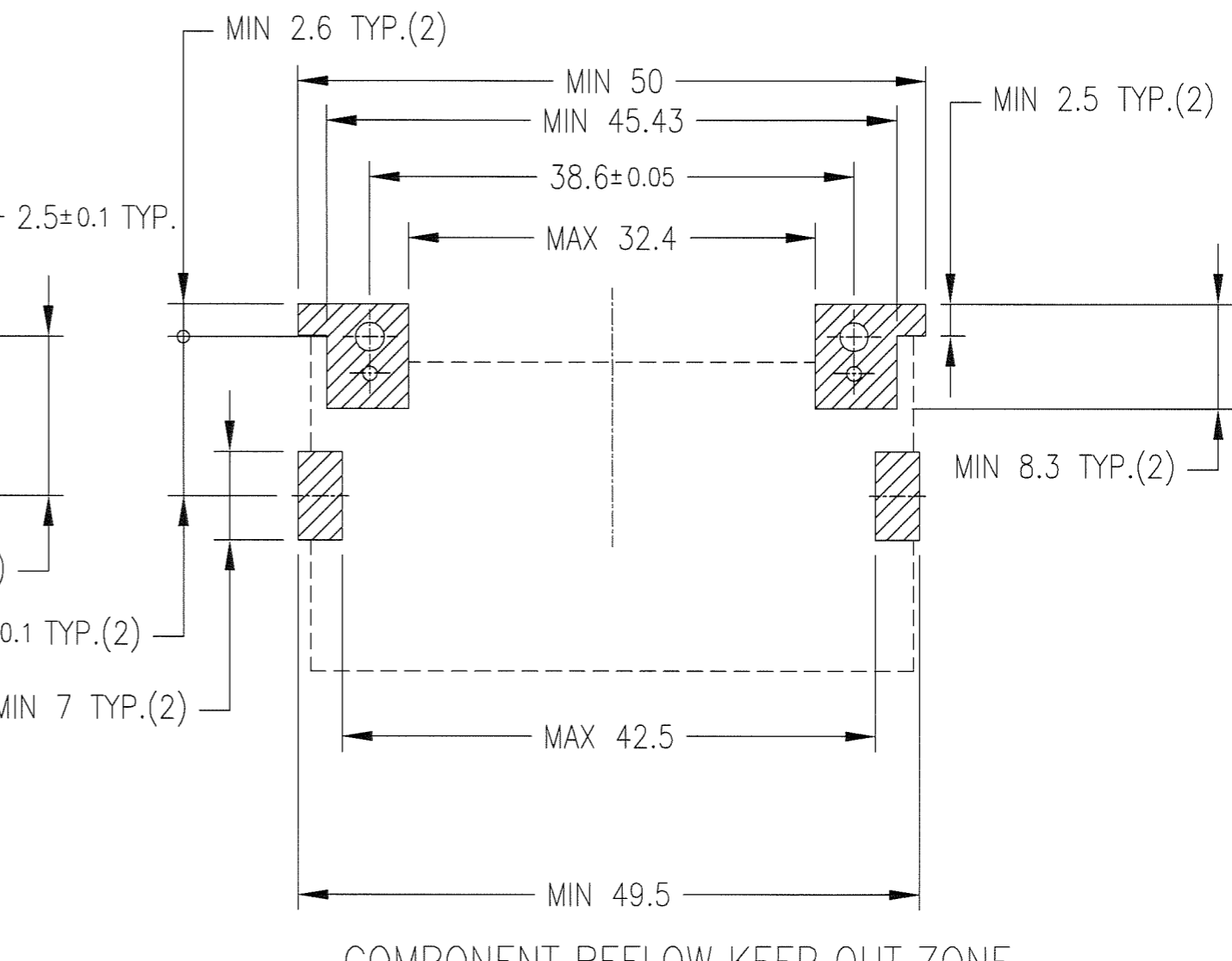
COMPONENT	MATERIAL	FINISH	QTY.
① HOUSING	FLAME RETARDANT RESIN	NONE (BLACK)	1
② PIN	PHOSPHOR BRONZE	UNDER : 1.0μm MIN. Ni CONTACT AREA : 0.2μm MIN. Au SOLDER TAIL : 0.05μm MIN. Au	50
③ HOLD DOWN	PHOSPHOR BRONZE	UNDER : 1.27μm MIN. Ni SOLDER TAIL : 2.0μm MIN. Sn	2
④ METAL PLATE	BRASS	2μm MIN. Ni	2

mat'l. code		surface		tolerance		projection		product family		CODE	
---		ISO 1302		ISO 406		mm		5AZF - CF HEADER		JP	
tolerances unless otherwise specified		angles		linear		scale 2:1		title			
F ADDED SHEET 5,6		J04-0061		HS		2/18/04		COMPACT FLASH HDR			
G ADDED SHEET 7,8		J05-0357		M.H		6/16/05		TOP MOUNT			
H REVISED		J05-0748		R.S		10/31/05		dwg no			
J REVISED		J06-0315		R.S		8/1/'06		sheet 1 of 8 size			
K REVISED		J06-0399		R.S		10/20/'06		62453 A3			
L REVISED		J08-0316		S.W		7/28/'08		type Product Customer Drawing			
sheet index		revision sheet		L		J		E		Rev.	
				1		2		3		L	

PRODUCT NO.	REMARKS
62453-022LF	WITH METAL PLATE(M2 SCREWS)



RECOMMENDED P.C.B. LAYOUT



COMPONENT REFLOW KEEP OUT ZONE

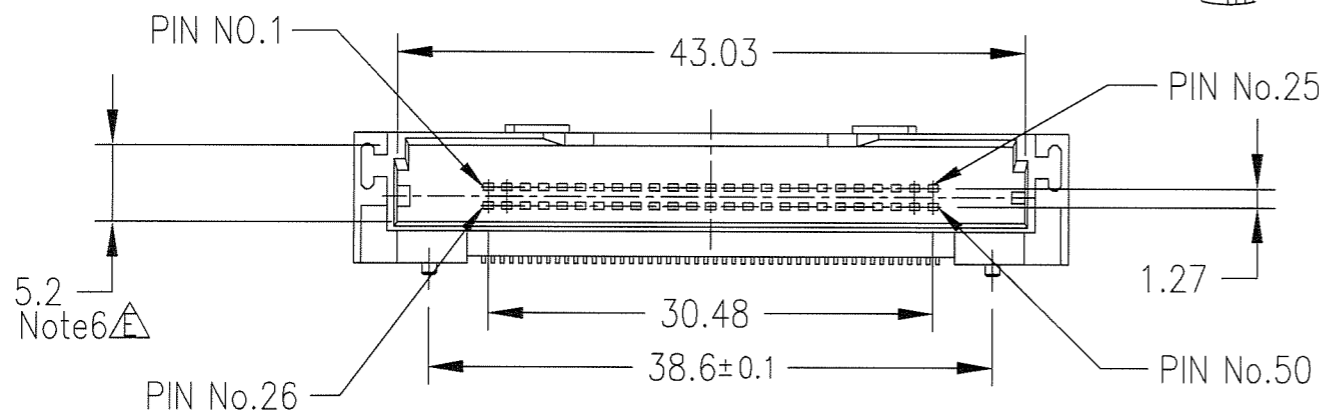
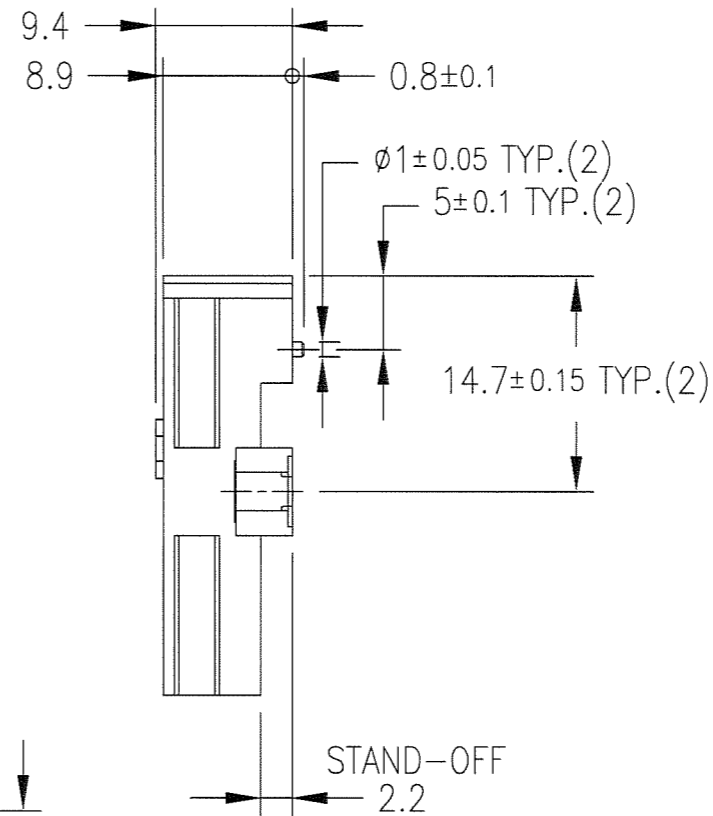
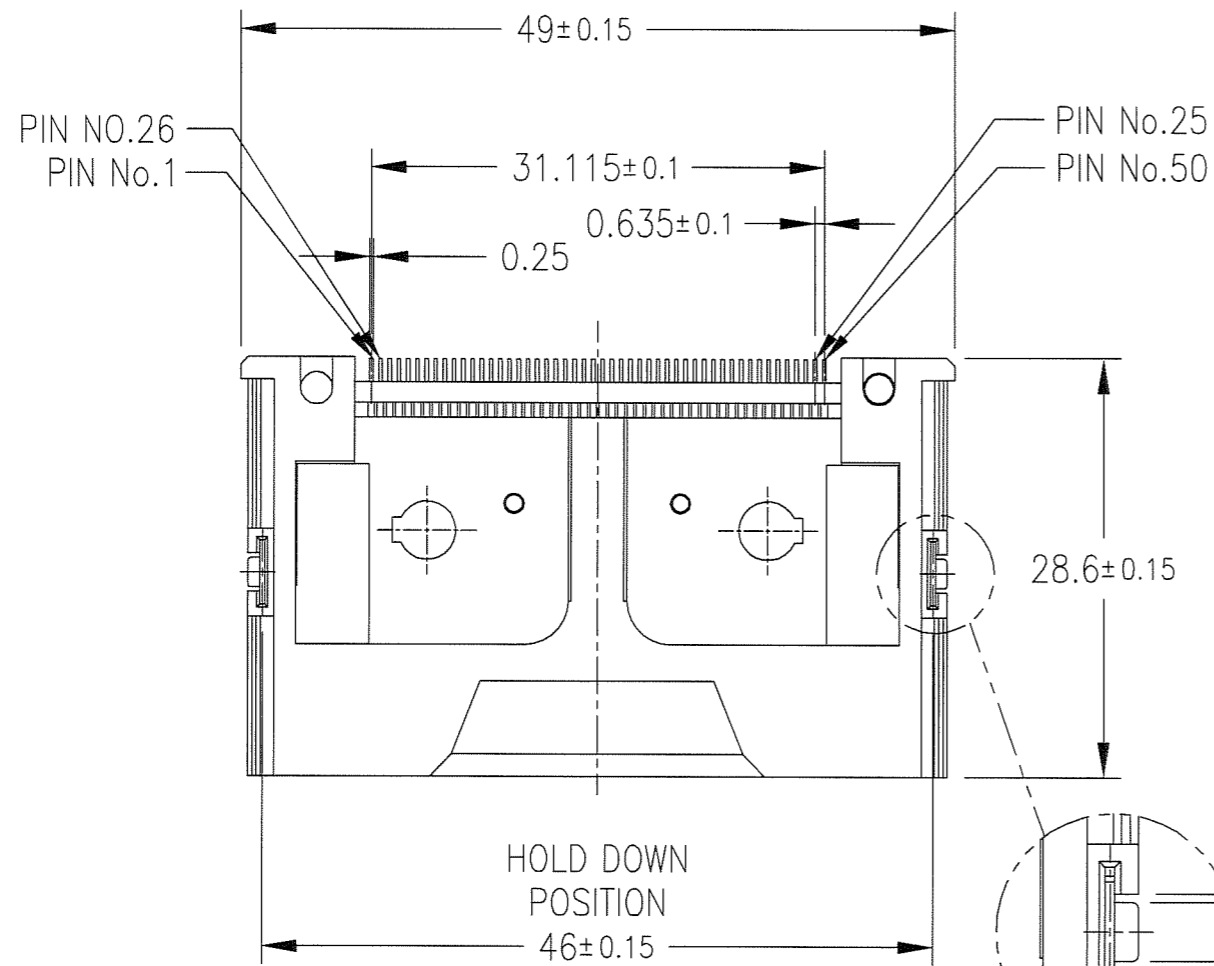
- NOTE
- PRODUCT SPECIFICATION : 110-404
 - PACKAGING SPECIFICATION : GES-14-620
 - RECOMMENDED TIGHTENING TORQUE : 0.127N.m [1.3kgf.cm]
 - SOLDER TAIL CO-PLANARITY : MAX 0.1
 - RECOMMENDED HOLD-DOWN SCREW
M 2mm X 6mm SCREWS
FOR 0.062in/1.57mm THICK PCB
 - FOR LEAD FREE P/N, THE PRODUCT MEETS EUROPEAN UNION DIRECTIVES AND OTHER COUNTRY REGULATIONS AS DESCRIBED IN GS-22-008.
 - THE HOUSING WILL WITHSTAND EXPOSURE TO 260°C PEAK TEMPERATURE FOR 10 SECONDS IN A CONVENTION, INTRA-RED OR VAPOR PHASE REFLOW OVEN.
 - MEASURED AT THE BOTTOM.

mat'l. code				surface		tolerance		projection		product family		CODE	
---				ISO 1302		ISO 406 ISO 1101				5AZF - CF HEADER		JP	
ltr	description	ecn no	dr	date	tolerances unless otherwise specified					title			
D	REVISED	V20696	HS	5/15/02	angles	linear	0.X	±0.3	mm		COMPACT FLASH HDR		
E	ADDED SHEET 3,4	V20659	HS	12/25/02	0'±2'		0.XX	±0.3			TOP MOUNT		
F	REVISED	J05-0748	R.S	10/31/05			0.XXX	±0.3	scale 2:1				
G	REVISED	J06-0315	R.S	8/1/06	dr	S.WATANABE	7/28/08			dwg no		sheet 2 of 8	size
H	REVISED	J06-0399	R.S	10/20/06	engr	S.WATANABE	7/28/08			62453		A3	
J	REVISED	J08-0316	S.W	7/28/08	chr	J. Muddan	2008-7-29			type		Product Customer Drawing	Rev.
sheet index		revision sheet										J	



Copyright FCI

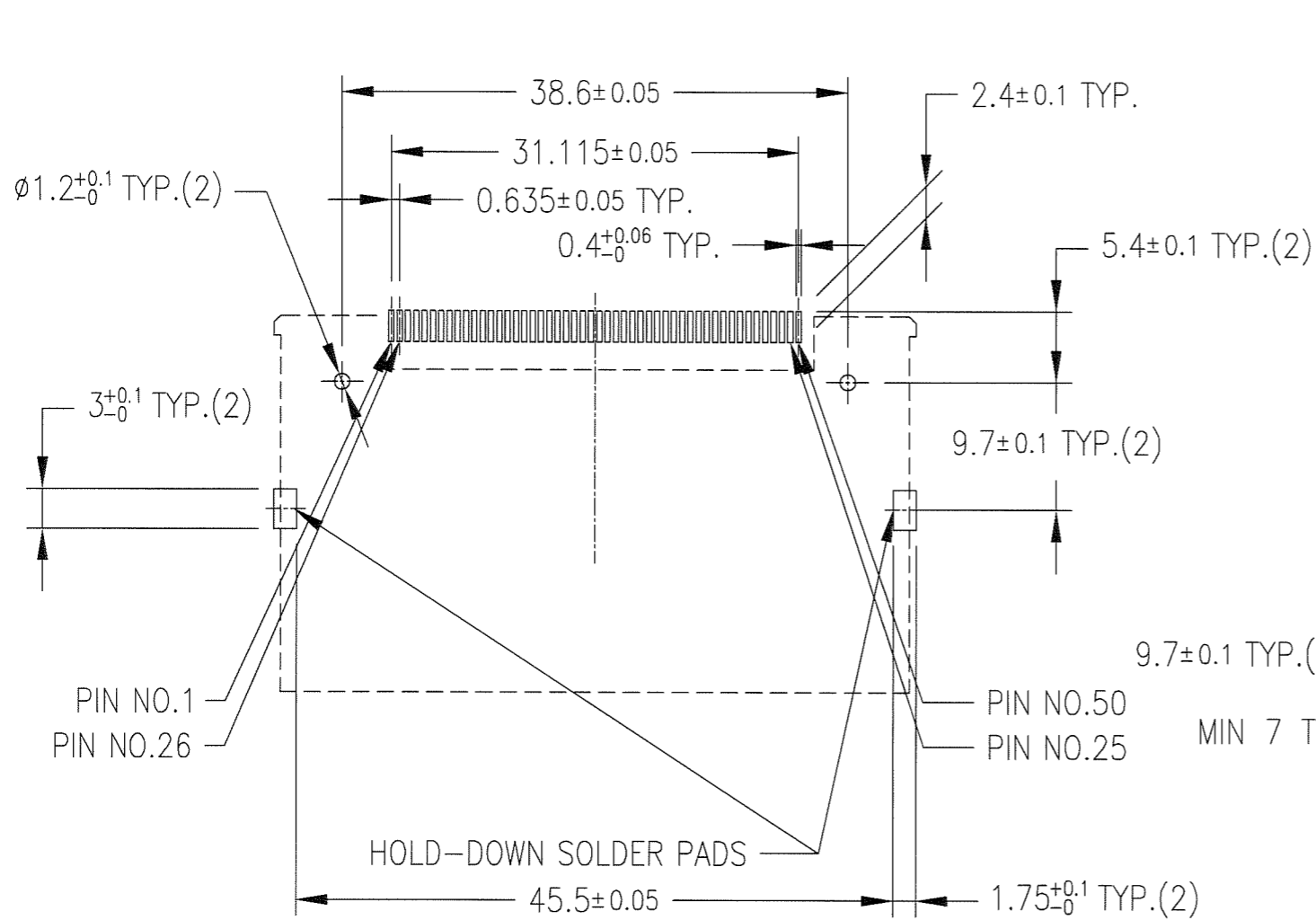
PRODUCT NO.	REMARKS
62453-122LF	WITHOUT METAL PLATE(M2 SCREWS)



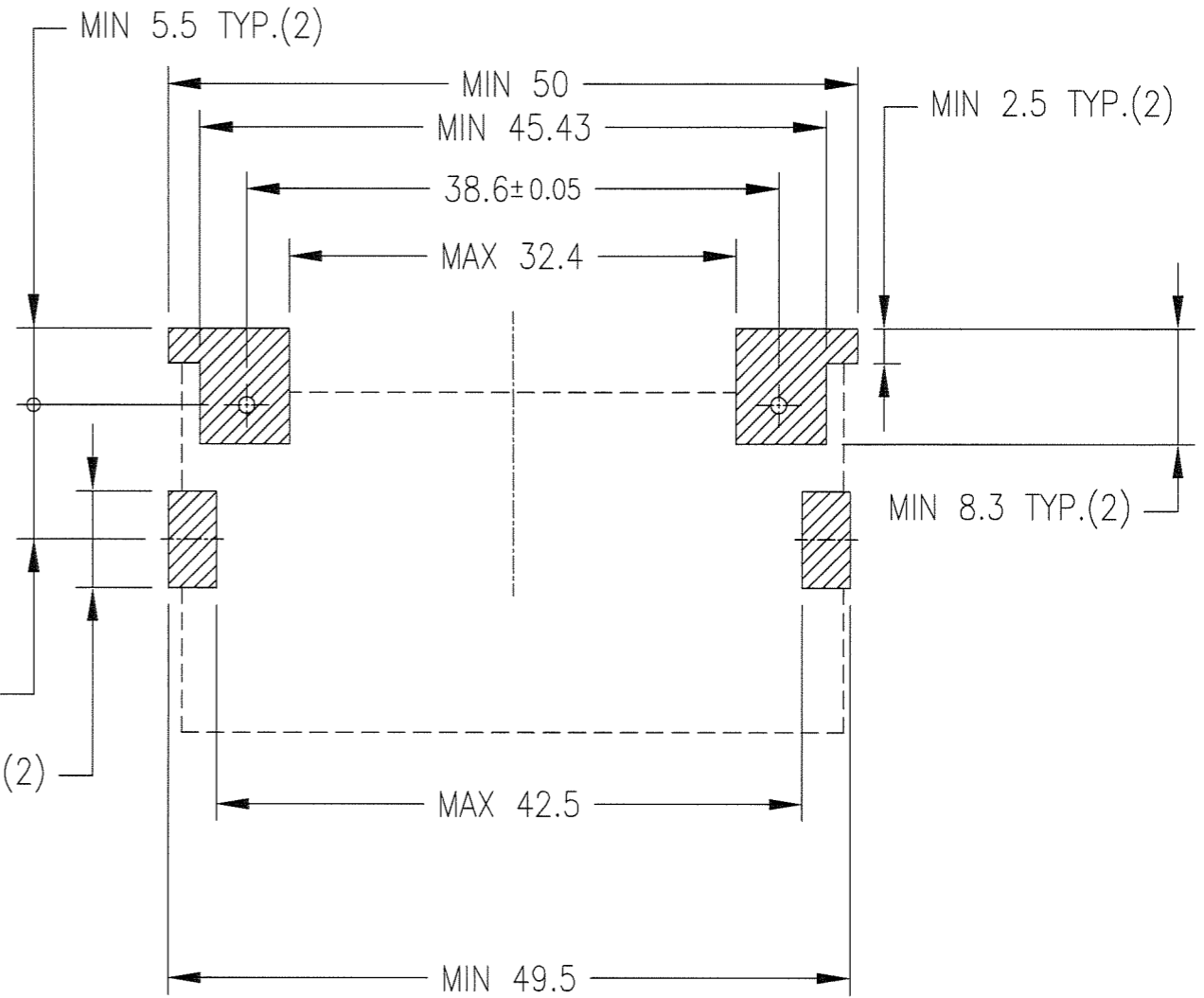
COMPONENT	MATERIAL	FINISH	QTY.
① HOUSING	FLAME RETARDANT RESIN	NONE (BLACK)	1
② PIN	PHOSPHOR BRONZE	UNDER : 1.0μm MIN. Ni CONTACT AREA : 0.2μm MIN. Au SOLDER TAIL : 0.05μm MIN. Au	50
③ HOLD DOWN	PHOSPHOR BRONZE	UNDER : 1.27μm MIN. Ni SOLDER TAIL : 2.0μm MIN. Sn	2

mat'l. code		surface		tolerance		projection		product family		CODE	
---		ISO 1302		ISO 406		mm		5AZF - CF HEADER		JP	
tolerances unless otherwise specified		angles		linear		scale 2:1		title		sheet 3 of 8 size	
A RELEASED J20659 HS 2/18/04		0°±2'		0.X ±0.3		FCJ		COMPACT FLASH HDR		A3	
B REVISED J05-0748 R.S 10/31/05				0.XX ±0.3				TOP MOUNT			
C REVISED J06-0315 R.S 8/1/06				0.XXX ±0.3				dwg no		62453	
D REVISED J06-0399 R.S 10/20/06		dr		S.WATANABE		7/28/08		type		Product Customer Drawing	
E REVISED J08-0316 S.W 7/28/08		enr		S.WATANABE		7/28/08		Rev.		E	
sheet index		revision sheet									

PRODUCT NO.	REMARKS
62453-122LF	WITHOUT METAL PLATE(M2 SCREWS)



RECOMMENDED P.C.B. LAYOUT



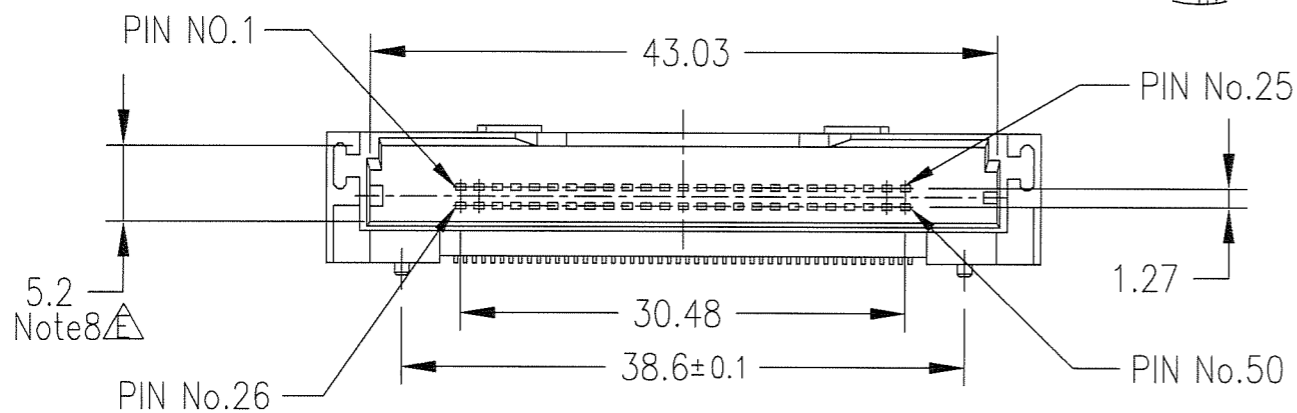
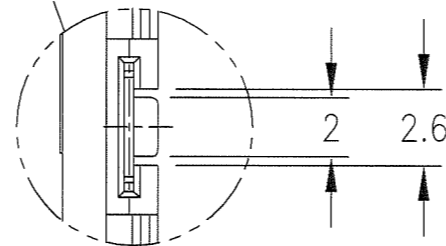
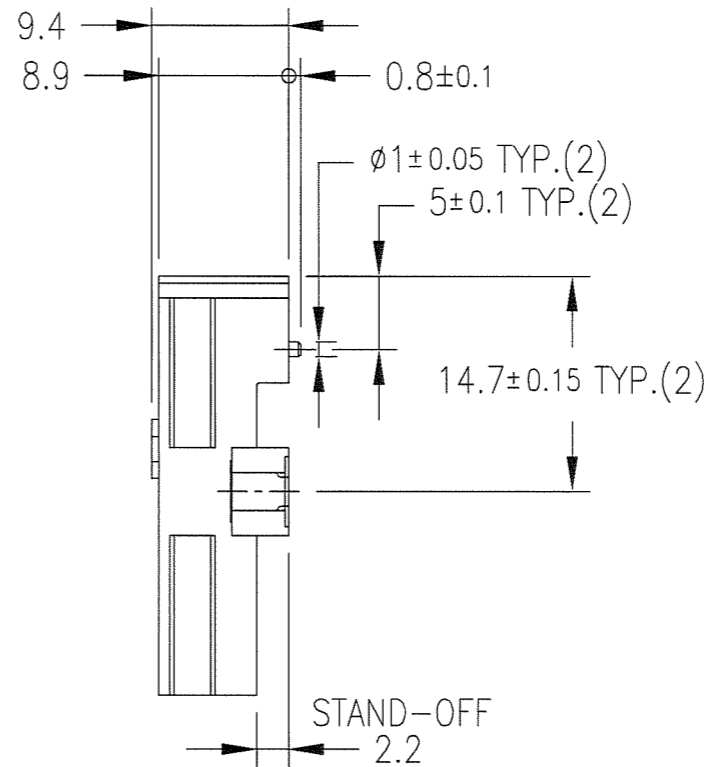
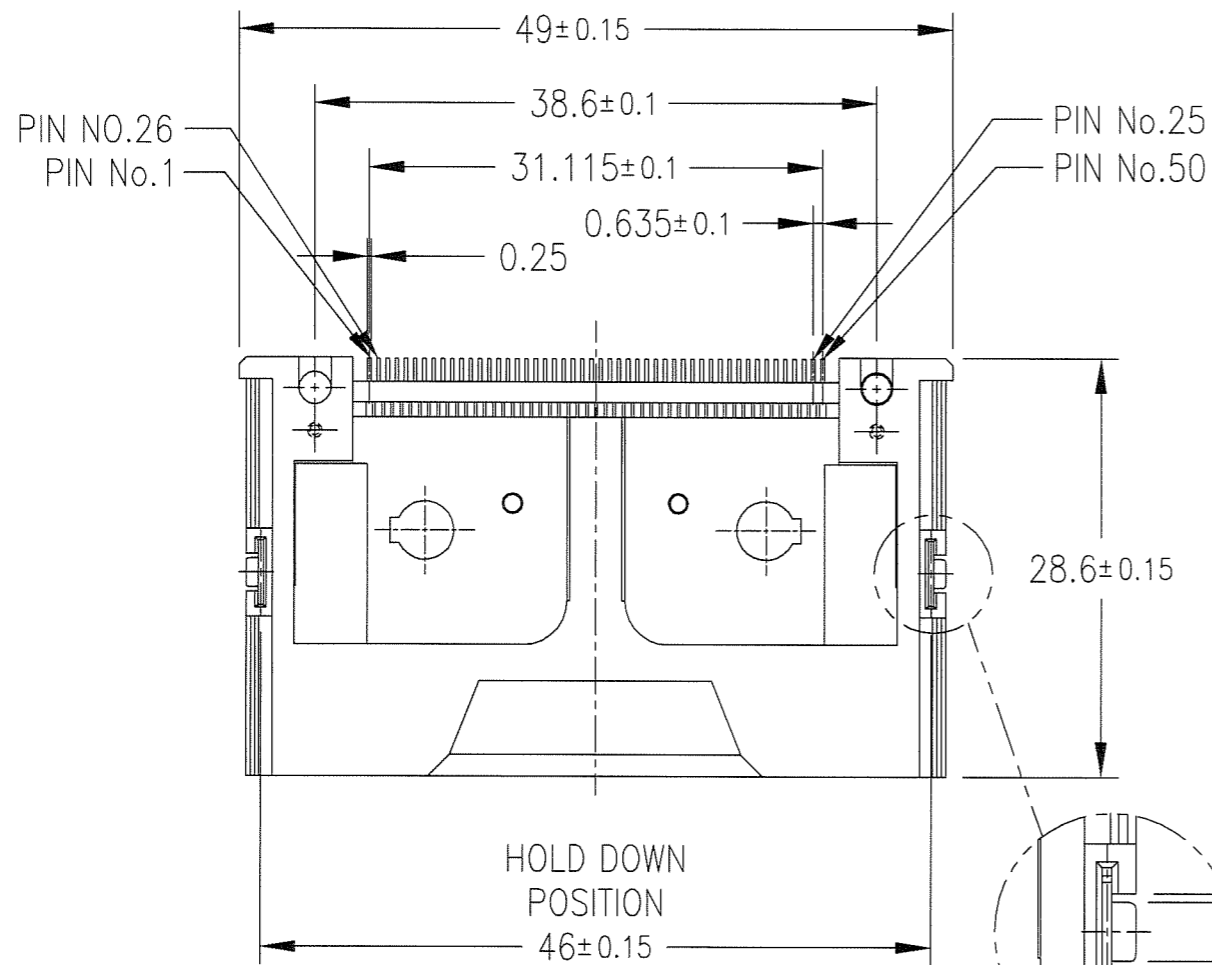
COMPONENT REFLOW KEEP OUT ZONE

NOTE

- 1.PRODUCT SPECIFICATION : 110-404
- 2.PACKAGING SPECIFICATION : GES-14-620
- 3.SOLDER TAIL CO-PLANARITY : MAX 0.1
- 4, FOR LEAD FREE P/N, THE PRODUCT MEETS EUROPEAN UNION DIRECTIVES AND OTHER COUNTRY REGULATIONS AS DESCRIBED IN GS-22-008.
5. THE HOUSING WILL WITHSTAND EXPOSURE TO 260°C PEAK TEMPERATURE FOR 10 SECONDS IN A CONVENTION, INTRA-RED OR VAPOR PHASE REFLOW OVEN.
6. MEASURED AT THE BOTTOM.

mat'l. code ---				surface ISO 1302 <input checked="" type="checkbox"/>		tolerance ISO 406 ISO 1101		projection 		product family 5AZF - CF HEADER		CODE JP
tolerances unless otherwise specified				angles		linear		mm		title COMPACT FLASH HDR TOP MOUNT		
ltr	description	ecn no	dr	date						scale 2:1		
1	RELEASED		HS	9/12/02			0.X	±0.3		sheet 4 of 8 size		
A	RELEASED	J20659	HS	12/25/02			0.XX	±0.3		62453		
B	REVISED	J05-0748	R.S	10/31/05	0'±2'		0.XXX	±0.3		A3		
C	REVISED	J06-0315	R.S	8/1/'06	dr	S.WATANABE	7/28/08			sheet 4 of 8 size		
D	REVISED	J06-0399	R.S	10/20/'06	enr	S.WATANABE	7/28/08			62453		
E	REVISED	J08-0316	S.W	7/28/'08	chr	<i>S. Watanabe</i>	2008-7-29			A3		
						appd <i>S. Watanabe</i>		2008-7-29		type Product Customer Drawing		
sheet index		revision sheet								Rev. E		

PRODUCT NO.	REMARKS
62453-222LF	WITH METAL PLATE(M2 SCREWS)



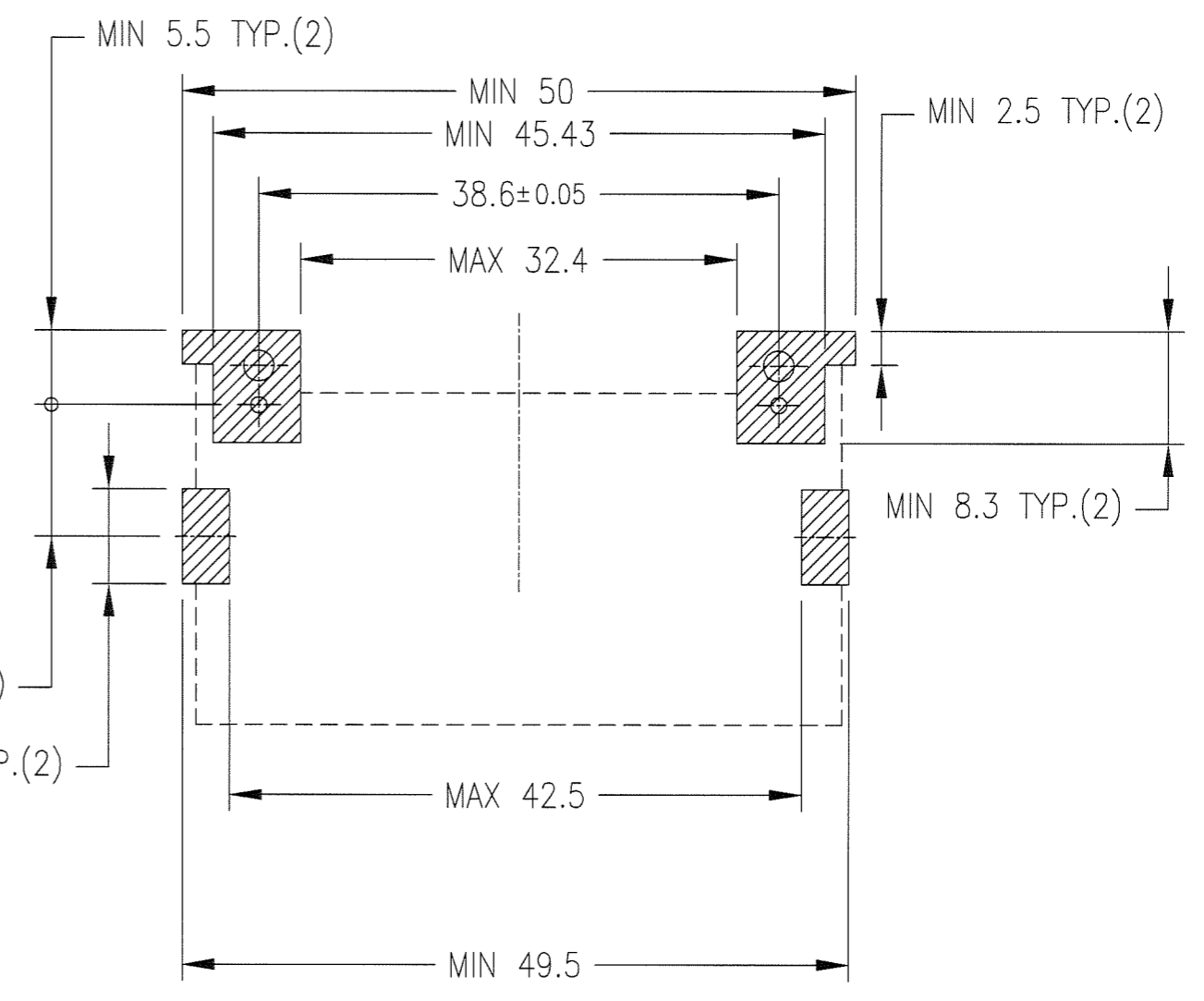
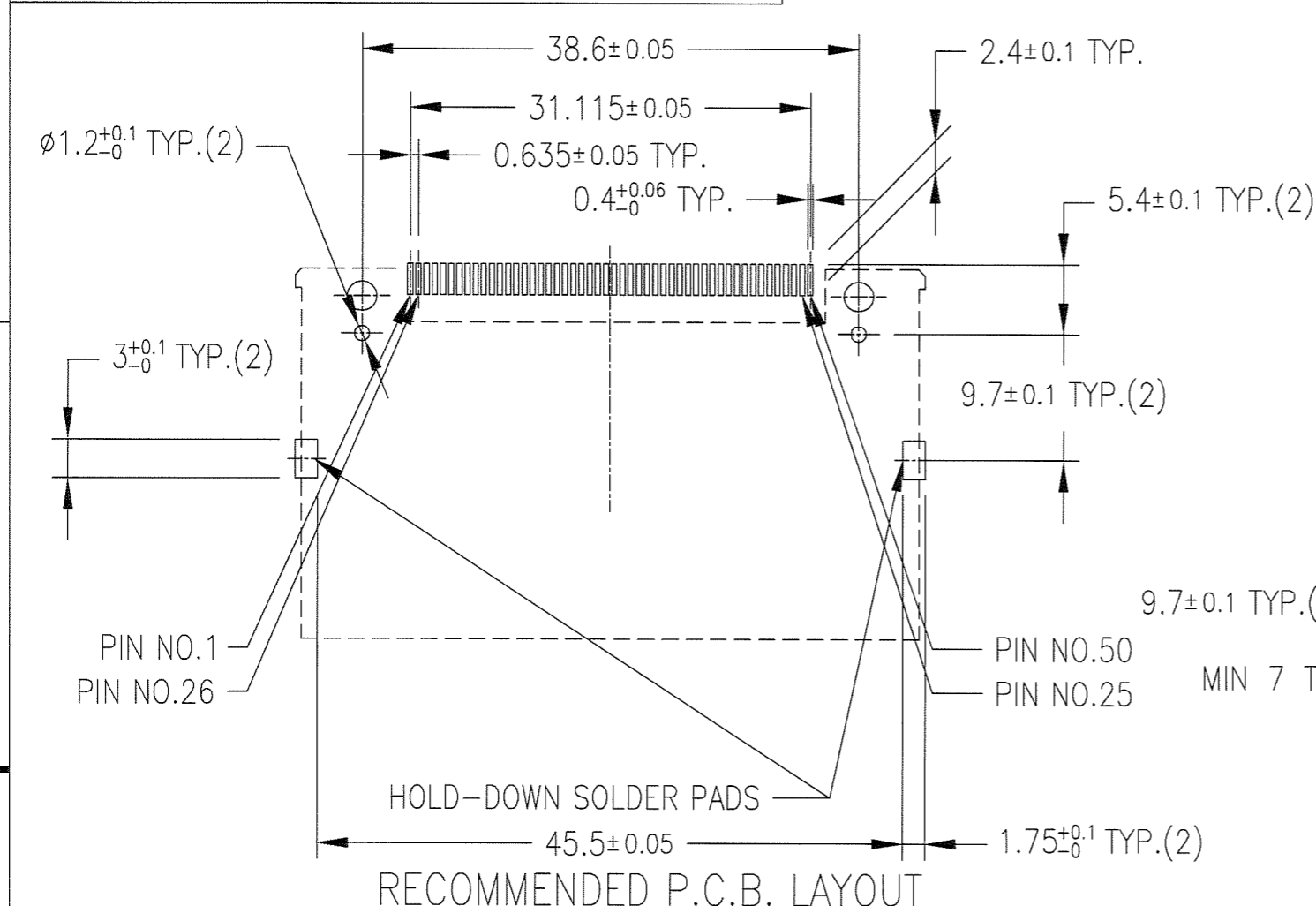
COMPONENT	MATERIAL	FINISH	QTY.
① HOUSING	FLAME RETARDANT RESIN	NONE (BLACK)	1
② PIN	PHOSPHOR BRONZE	UNDER : 1.0μm MIN. Ni CONTACT AREA : 0.2μm MIN. Au SOLDER TAIL : 0.05μm MIN. Au	50
③ HOLD DOWN	PHOSPHOR BRONZE	UNDER : 1.27μm MIN. Ni SOLDER TAIL : 2.0μm MIN. Sn	2
④ METAL PLATE	BRASS	2μm MIN. Ni	2

mat'l. code		surface		tolerance		projection		product family		CODE	
---		ISO 1302 <input checked="" type="checkbox"/>		ISO 406				5AZF - CF HEADER		JP	
				ISO 1101		mm		title			
				tolerances unless otherwise specified		scale 2:1		COMPACT FLASH HDR			
				angles				TOP MOUNT			
				linear				dwg no		sheet 5 of 8 size	
				0'±2'				62453		A3	
				0.X ±0.3				type		Product Customer Drawing	
				0.XX ±0.3				Rev.			
				0.XXX ±0.3				E			
				dr		S.WATANABE		7/28/'08			
				enr		S.WATANABE		7/28/'08			
				chr		S. Watanabe		2008-7-29			
				appd		S. Watanabe		2008-7-29			
sheet		revision									
index		sheet									



Copyright FCI

PRODUCT NO.	REMARKS
62453-222LF	WITH METAL PLATE(M2 SCREWS)



RECOMMENDED P.C.B. LAYOUT

COMPONENT REFLOW KEEP OUT ZONE

NOTE

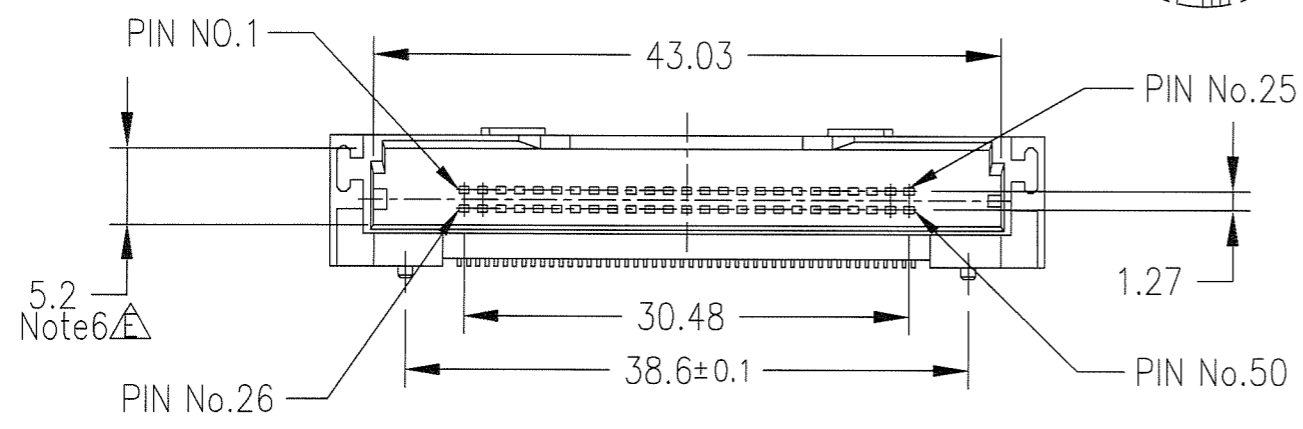
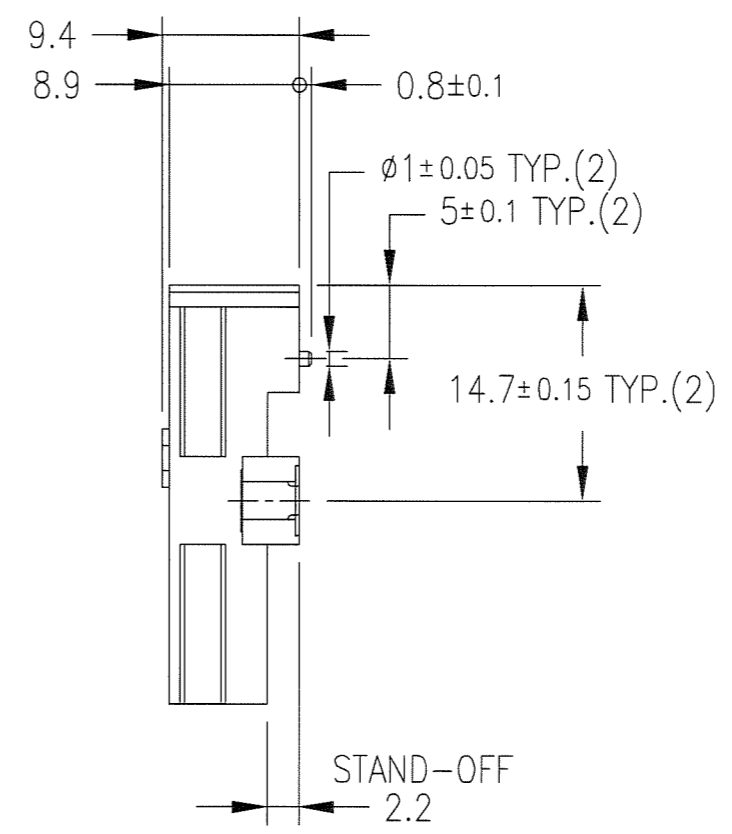
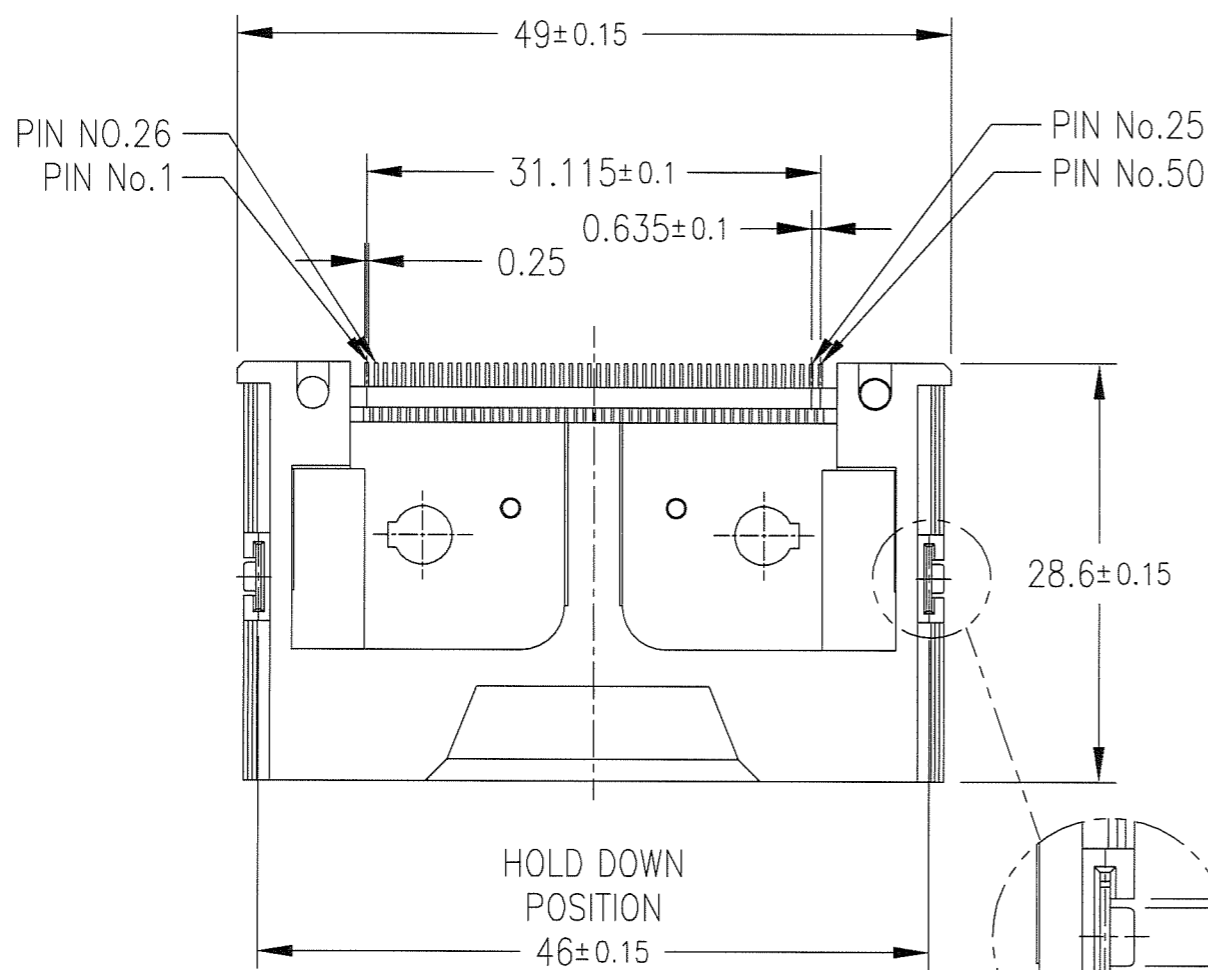
- 1.PRODUCT SPECIFICATION : 110-404
- 2.PACKAGING SPECIFICATION : GES-14-620
- 3.RECOMMENDED TIGHTENING TORQUE : 0.127N.m [1.3kgf.cm]
- 4.SOLDER TAIL CO-PLANARITY : MAX 0.1
- 5.RECOMMENDED HOLD-DOWN SCREW
M 2mm X 6mm SCREWS(FCI P/N ; 95121-001)
FOR 0.062in/1.57mm THICK PCB
- 6,FOR LEAD FREE P/N, THE PRODUCT MEETS EUROPEAN UNION DIRECTIVES AND OTHER COUNTRY REGULATIONS AS DESCRIBED IN GS-22-008.
- 7.THE HOUSING WILL WITHSTAND EXPOSURE TO 260°C PEAK TEMPERATURE FOR 10 SECONDS IN A CONVENTION, INTRA-RED OR VAPOR PHASE REFLOW OVEN.
- 8.MEASURED AT THE BOTTOM.

mat'l. code				surface		tolerance		projection		product family		CODE
---				ISO 1302		ISO 406		mm		5AZF - CF HEADER		JP
						ISO 1101				title		
ltr	description	ecn no	dr	date	tolerances unless otherwise specified		scale 2:1		COMPACT FLASH HDR			
1	RELEASED		HS	9/12/02	angles	0.X	±0.3	TOP MOUNT				
A	RELEASED	J20659	HS	12/25/02	linear	0.XX	±0.3					
B	REVISED	J05-0748	R.S	10/31/05	0'±2'	0.XXX	±0.3					
C	REVISED	J06-0315	R.S	8/1/06	dr	S.WATANABE	7/28/08			dwg no	sheet 6 of 8 size	
D	REVISED	J06-0399	R.S	10/20/06	enr	S.WATANABE	7/28/08			62453	A3	
E	REVISED	J08-0316	S.W	7/28/08	chr					type	Product Customer Drawing	
sheet index		revision sheet								Rev. E		



Copyright FCI

PRODUCT NO.	REMARKS
62453-622LF	WITHOUT METAL PLATE(M2 SCREWS)



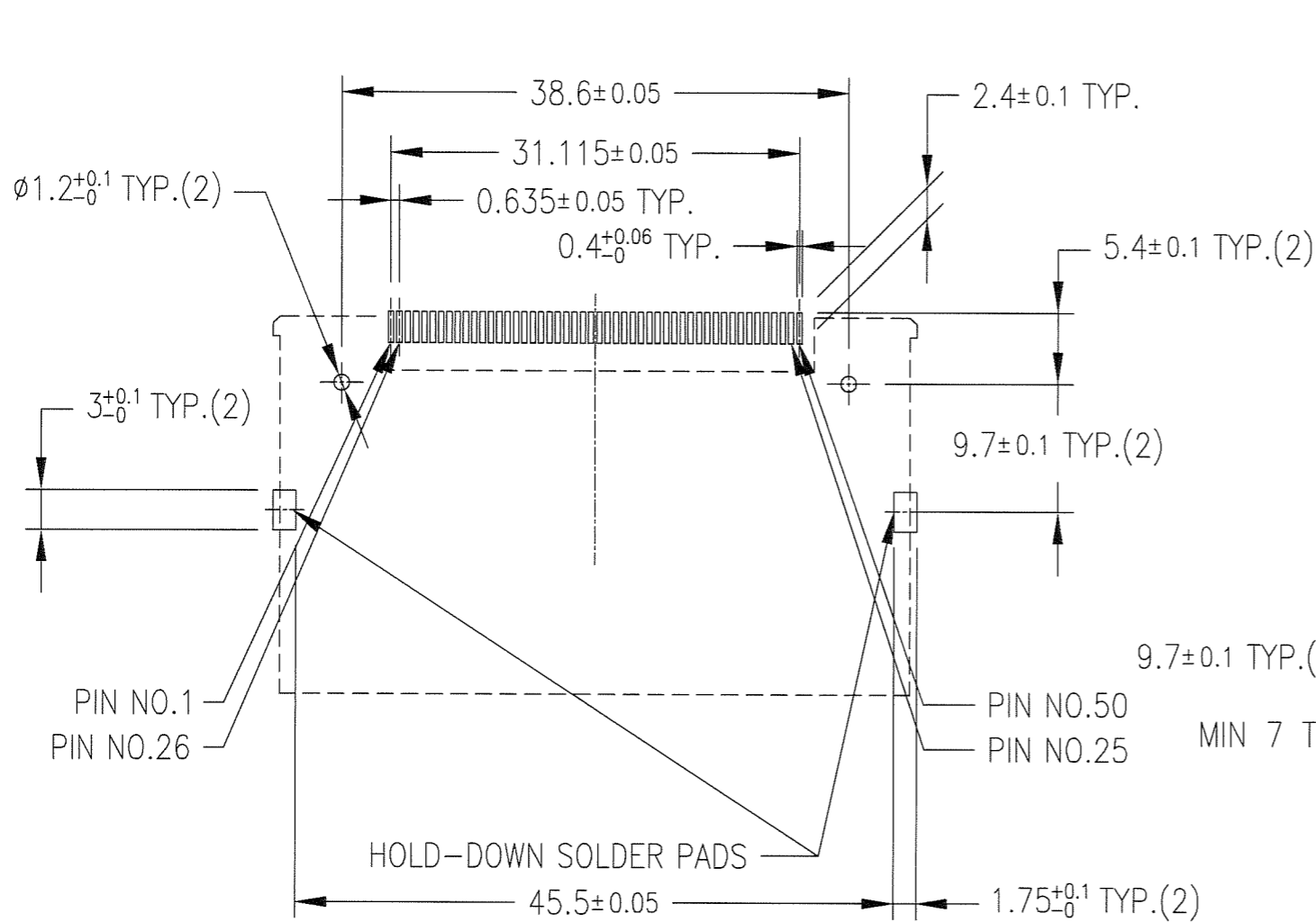
COMPONENT	MATERIAL	FINISH	QTY.
① HOUSING	FLAME RETARDANT RESIN	NONE (BLACK)	1
② PIN	PHOSPHOR BRONZE	UNDER : 1.0μm MIN. Ni CONTACT AREA : 0.76μm MIN. Au SOLDER TAIL : 0.05μm MIN. Au	50
③ HOLD DOWN	PHOSPHOR BRONZE	UNDER : 1.27μm MIN. Ni SOLDER TAIL : 2.0μm MIN. Sn	2

mat'l. code				surface ISO 1302 <input checked="" type="checkbox"/>		tolerance ISO 406 ISO 1101		projection		product family 5AZF - CF HEADER		CODE JP	
---				tolerances unless otherwise specified		0.X ±0.3		mm		title COMPACT FLASH HDR TOP MOUNT			
ltr description ecn no dr date				angles linear		0.XX ±0.3		scale 2:1		sheet 7 of 8 size			
A	RELEASED	J05-0357	M.H	6/16/05	0'±2'		0.XXX ±0.3		dwg no 62453		A3		
B	REVISED	J05-0748	R.S	10/31/05					type Product Customer Drawing		Rev. E		
C	REVISED	J06-0315	R.S	8/1/06									
D	REVISED	J06-0399	R.S	10/20/06	dr		S.WATANABE 7/28/08						
E	REVISED	J08-0316	S.W	7/28/08	enr		S.WATANABE 7/28/08						
				chr		S. Watanabe 2008-7-29							
				appd		S. Watanabe 2008-7-29							
sheet index		revision sheet											

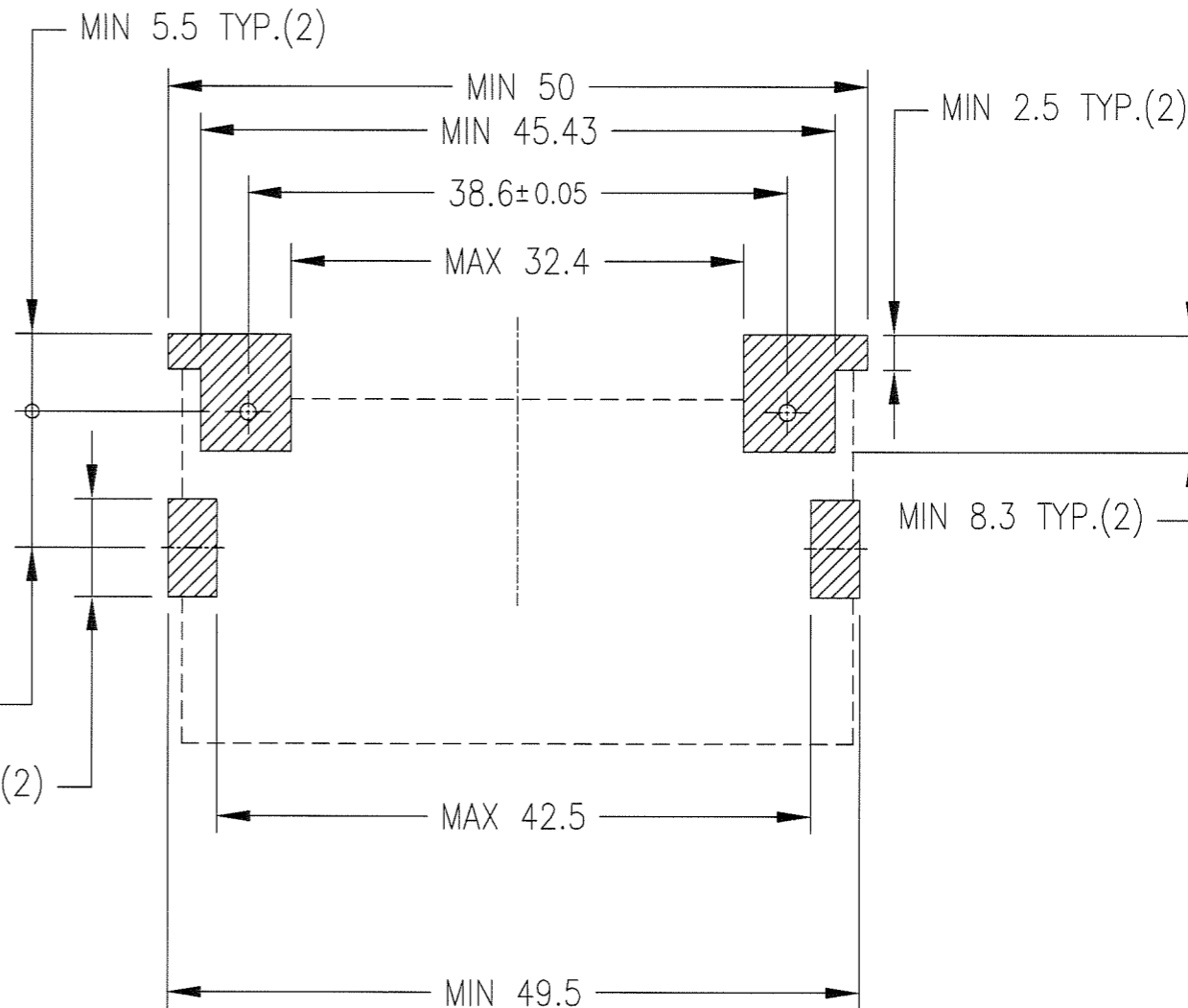


Copyright FCI

PRODUCT NO.	REMARKS
62453-622LF	WITHOUT METAL PLATE(M2 SCREWS)



RECOMMENDED P.C.B. LAYOUT



COMPONENT REFLOW KEEP OUT ZONE

NOTE

- PRODUCT SPECIFICATION : 110-404
- PACKAGING SPECIFICATION : GES-14-620
- SOLDER TAIL CO-PLANARITY : MAX 0.1
- FOR LEAD FREE P/N, THE PRODUCT MEETS EUROPEAN UNION DIRECTIVES AND OTHER COUNTRY REGULATIONS AS DESCRIBED IN GS-22-008.
- THE HOUSING WILL WITHSTAND EXPOSURE TO 260°C PEAK TEMPERATURE FOR 10 SECONDS IN A CONVENTION, INTRA-RED OR VAPOR PHASE REFLOW OVEN.
- MEASURED AT THE BOTTOM.

mat'l. code ---				surface ISO 1302 <input checked="" type="checkbox"/>		tolerance ISO 406 ISO 1101		projection 		product family 5AZF - CF HEADER		CODE JP
ltr	description	ecn no	dr	date	tolerances unless otherwise specified		mm		title COMPACT FLASH HDR TOP MOUNT			
A	RELEASED	J05-0357	M.H	6/16/05	angles	linear	0.X	±0.3	scale 2:1			
B	REVISED	J05-0748	R.S	10/31/05			0.XX	±0.3				
C	REVISED	J06-0315	R.S	8/1/06	0°±2'		0.XXX	±0.3	dwg no			
D	REVISED	J06-0399	R.S	10/20/06	dr	S.WATANABE	7/28/08	sheet 8 of 8		size		
E	REVISED	J08-0316	S.W	7/28/08	enr	S.WATANABE	7/28/08	62453		A3		
					chr	2008-7-29		type		Product Customer Drawing		
					appd	2008-7-29		Rev.		E		
sheet index		revision sheet										