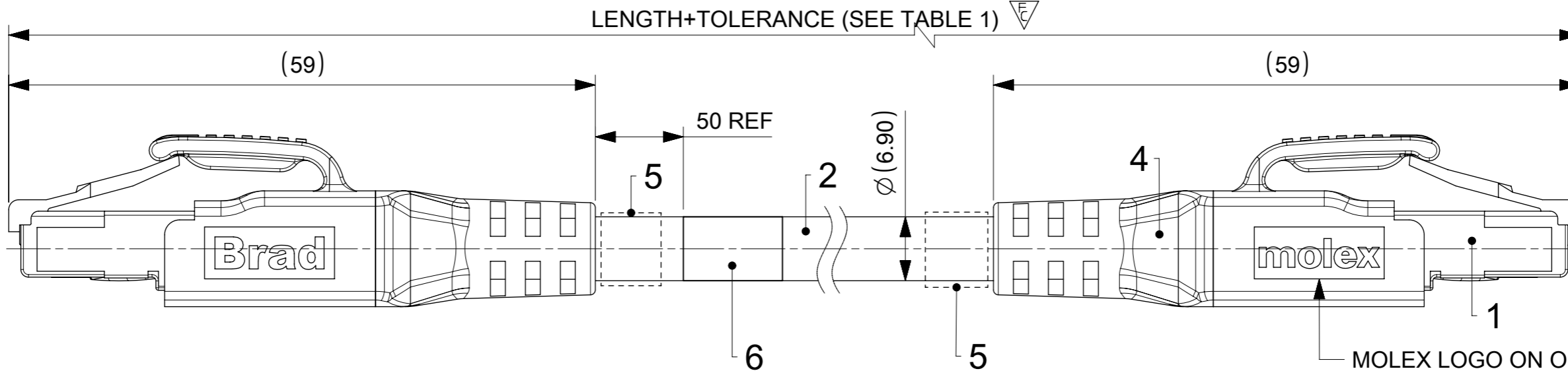
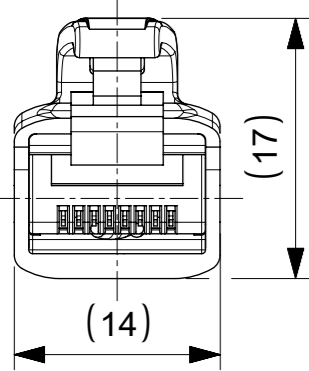
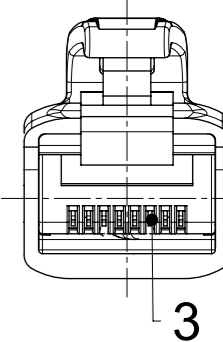


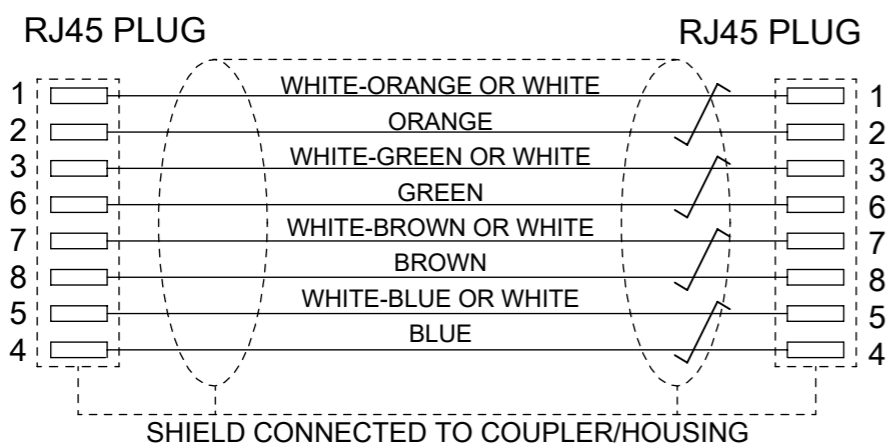
RJ45 PLUG FRONT VIEW



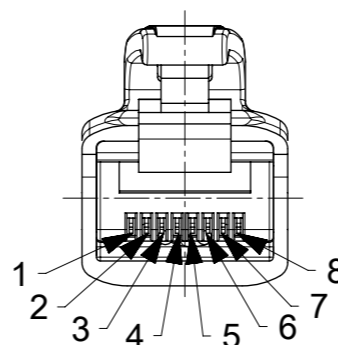
RJ45 PLUG FRONT VIEW



WIRING DIAGRAM



RJ45 PLUG FRONT VIEW



5 ID CARRIER ONLY FOR ENGINEERING NUMBERS WITH THE SUFFIX "H"

MOLEX LOGO ON ONE SIDE  
BRAD LOGO ON OTHER SIDE

NOTES:

VOLTAGE RATING: 30 V A.C. OR 42 V D.C.

CURRENT RATING: 0.5 A

TEMPERATURE RATING:

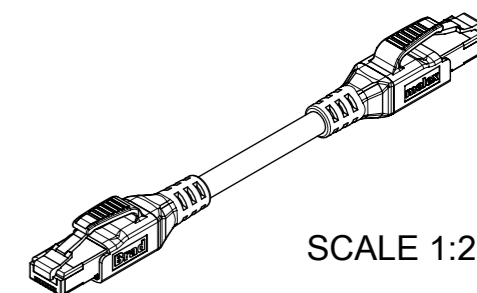
STATIC: -40 °C TO 80 °C

DYNAMIC: -20 °C TO 80 °C

IP RATING: IP 20

TRANSMISSION CHARACTERISTICS ACCORDING TO ISO/IEC 11801 CLASS E<sub>A</sub> CHANNEL, WITH INSERTION LOSS BEING IGNORED FOR CABLE LENGTHS <1 m OR >65 m

PACKAGING: CORDSETS ARE PACKED IN A POLYBAG



SCALE 1:2

BILL OF MATERIAL

| ITEM | QTY | DESCRIPTION                   | MATERIAL        | FINISH/COLOR        |
|------|-----|-------------------------------|-----------------|---------------------|
| 1    | 2   | RJ45-PLUG 8P8C SHLD LONG BODY | -               | -                   |
| 2    | 1   | CABLE 4X2X26/7AWG DIA 6.9     | PUR             | GREEN               |
| 3    | 16  | CONTACT RJ45                  | PHOSPHOR BRONZE | SELECTIVE Au PLATED |
| 4    | -   | OVERMOLD                      | TPU             | BLACK               |
| 5    | 2   | I/D CARRIER 6-10mmx30mm       | PVC             | TRANSPARENT         |
| 6    | 1   | LABEL 2.0X1.75                | VINYL           | YELLOW              |

|                 |    |              |            |          |
|-----------------|----|--------------|------------|----------|
| DOCUMENT STATUS | P1 | RELEASE DATE | 2023/05/09 | 14:34:39 |
|-----------------|----|--------------|------------|----------|

| FUNCTIONAL SYMBOLS                                   | THIS DRAWING CONTAINS INFORMATION THAT IS PROPRIETARY TO MOLEX ELECTRONIC TECHNOLOGIES, LLC AND SHOULD NOT BE USED WITHOUT WRITTEN PERMISSION  | CURRENT REV DESC:      |                 | <b>molex</b> |                 |                |              |       |         |    |     |         |                                       |  |         |                    |  |                    |          |   |          |   |          |        |         |       |          |       |   |  |               |            |              |            |                |            |               |            |   |  |  |  |                          |  |  |                 |          |          |
|--|--|------------------------|-----------------|--------------|-----------------|----------------|--------------|-------|---------|----|-----|---------|---------------------------------------|--|---------|--------------------|--|--------------------|----------|---|----------|---|----------|--------|---------|-------|----------|-------|---|--|---------------|------------|--------------|------------|----------------|------------|---------------|------------|---|--|--|--|--------------------------|--|--|-----------------|----------|----------|
|  | <table border="1"> <tr> <th>FUNCTIONAL SYMBOLS</th> <th>DIMENSION UNITS</th> <th>SCALE</th> </tr> <tr> <td>▽/A = 0</td> <td>mm</td> <td>2:1</td> </tr> <tr> <td>▽/E = 1</td> <td colspan="2">GENERAL TOLERANCES (UNLESS SPECIFIED)</td> </tr> <tr> <td>▽/F = 0</td> <td colspan="2">ANGULAR TOL ± 1.0°</td> </tr> <tr> <td rowspan="5">DIVISIONAL SYMBOLS</td> <td>4 PLACES</td> <td>±</td> </tr> <tr> <td>3 PLACES</td> <td>±</td> </tr> <tr> <td>2 PLACES</td> <td>± 0.05</td> </tr> <tr> <td>1 PLACE</td> <td>± 0.3</td> </tr> <tr> <td>0 PLACES</td> <td>± 0.5</td> </tr> </table> | FUNCTIONAL SYMBOLS     | DIMENSION UNITS |              |                 |                |              | SCALE | ▽/A = 0 | mm | 2:1 | ▽/E = 1 | GENERAL TOLERANCES (UNLESS SPECIFIED) |  | ▽/F = 0 | ANGULAR TOL ± 1.0° |  | DIVISIONAL SYMBOLS | 4 PLACES | ± | 3 PLACES | ± | 2 PLACES | ± 0.05 | 1 PLACE | ± 0.3 | 0 PLACES | ± 0.5 | <table border="1"> <tr> <td>EC NO: 748912</td> <td>2023/05/09</td> </tr> <tr> <td>DRWN: ARPITT</td> <td>2023/05/09</td> </tr> <tr> <td>CHK'D: RSILLER</td> <td>2023/05/09</td> </tr> <tr> <td>APPR: RSILLER</td> <td>2023/05/09</td> </tr> </table> |  | EC NO: 748912 | 2023/05/09 | DRWN: ARPITT | 2023/05/09 | CHK'D: RSILLER | 2023/05/09 | APPR: RSILLER | 2023/05/09 | <table border="1"> <tr> <td colspan="3">PRODUCT CUSTOMER DRAWING</td> </tr> <tr> <td>DOCUMENT NUMBER</td> <td>DOC TYPE</td> <td>DOC PART</td> <td>REVISION</td> </tr> <tr> <td>1203410600</td> <td>PSD</td> <td>000</td> <td>A5</td> </tr> </table> |  |  |  | PRODUCT CUSTOMER DRAWING |  |  | DOCUMENT NUMBER | DOC TYPE | DOC PART |
| FUNCTIONAL SYMBOLS                                   | DIMENSION UNITS  | SCALE                  |                 |              |                 |                |              |       |         |    |     |         |                                       |  |         |                    |  |                    |          |   |          |   |          |        |         |       |          |       |   |  |               |            |              |            |                |            |               |            |   |  |  |  |                          |  |  |                 |          |          |
| ▽/A = 0  | mm   | 2:1                    |                 |              |                 |                |              |       |         |    |     |         |                                       |  |         |                    |  |                    |          |   |          |   |          |        |         |       |          |       |   |  |               |            |              |            |                |            |               |            |   |  |  |  |                          |  |  |                 |          |          |
| ▽/E = 1  | GENERAL TOLERANCES (UNLESS SPECIFIED)  |                        |                 |              |                 |                |              |       |         |    |     |         |                                       |  |         |                    |  |                    |          |   |          |   |          |        |         |       |          |       |   |  |               |            |              |            |                |            |               |            |   |  |  |  |                          |  |  |                 |          |          |
| ▽/F = 0  | ANGULAR TOL ± 1.0°   |                        |                 |              |                 |                |              |       |         |    |     |         |                                       |  |         |                    |  |                    |          |   |          |   |          |        |         |       |          |       |   |  |               |            |              |            |                |            |               |            |   |  |  |  |                          |  |  |                 |          |          |
| DIVISIONAL SYMBOLS                                   | 4 PLACES   | ±                      |                 |              |                 |                |              |       |         |    |     |         |                                       |  |         |                    |  |                    |          |   |          |   |          |        |         |       |          |       |   |  |               |            |              |            |                |            |               |            |   |  |  |  |                          |  |  |                 |          |          |
|  | 3 PLACES   | ±                      |                 |              |                 |                |              |       |         |    |     |         |                                       |  |         |                    |  |                    |          |   |          |   |          |        |         |       |          |       |   |  |               |            |              |            |                |            |               |            |   |  |  |  |                          |  |  |                 |          |          |
|  | 2 PLACES   | ± 0.05                 |                 |              |                 |                |              |       |         |    |     |         |                                       |  |         |                    |  |                    |          |   |          |   |          |        |         |       |          |       |   |  |               |            |              |            |                |            |               |            |   |  |  |  |                          |  |  |                 |          |          |
|  | 1 PLACE  | ± 0.3                  |                 |              |                 |                |              |       |         |    |     |         |                                       |  |         |                    |  |                    |          |   |          |   |          |        |         |       |          |       |   |  |               |            |              |            |                |            |               |            |   |  |  |  |                          |  |  |                 |          |          |
|  | 0 PLACES   | ± 0.5                  |                 |              |                 |                |              |       |         |    |     |         |                                       |  |         |                    |  |                    |          |   |          |   |          |        |         |       |          |       |   |  |               |            |              |            |                |            |               |            |   |  |  |  |                          |  |  |                 |          |          |
| EC NO: 748912  | 2023/05/09   |                        |                 |              |                 |                |              |       |         |    |     |         |                                       |  |         |                    |  |                    |          |   |          |   |          |        |         |       |          |       |   |  |               |            |              |            |                |            |               |            |   |  |  |  |                          |  |  |                 |          |          |
| DRWN: ARPITT   | 2023/05/09   |                        |                 |              |                 |                |              |       |         |    |     |         |                                       |  |         |                    |  |                    |          |   |          |   |          |        |         |       |          |       |   |  |               |            |              |            |                |            |               |            |   |  |  |  |                          |  |  |                 |          |          |
| CHK'D: RSILLER                                       | 2023/05/09   |                        |                 |              |                 |                |              |       |         |    |     |         |                                       |  |         |                    |  |                    |          |   |          |   |          |        |         |       |          |       |   |  |               |            |              |            |                |            |               |            |   |  |  |  |                          |  |  |                 |          |          |
| APPR: RSILLER  | 2023/05/09   |                        |                 |              |                 |                |              |       |         |    |     |         |                                       |  |         |                    |  |                    |          |   |          |   |          |        |         |       |          |       |   |  |               |            |              |            |                |            |               |            |   |  |  |  |                          |  |  |                 |          |          |
| PRODUCT CUSTOMER DRAWING                             |  |                        |                 |              |                 |                |              |       |         |    |     |         |                                       |  |         |                    |  |                    |          |   |          |   |          |        |         |       |          |       |   |  |               |            |              |            |                |            |               |            |   |  |  |  |                          |  |  |                 |          |          |
| DOCUMENT NUMBER                                      | DOC TYPE   | DOC PART               | REVISION        |              |                 |                |              |       |         |    |     |         |                                       |  |         |                    |  |                    |          |   |          |   |          |        |         |       |          |       |   |  |               |            |              |            |                |            |               |            |   |  |  |  |                          |  |  |                 |          |          |
| 1203410600   | PSD  | 000                    | A5              |              |                 |                |              |       |         |    |     |         |                                       |  |         |                    |  |                    |          |   |          |   |          |        |         |       |          |       |   |  |               |            |              |            |                |            |               |            |   |  |  |  |                          |  |  |                 |          |          |
| DRAFT WHERE APPLICABLE MUST REMAIN WITHIN DIMENSIONS |  | THIRD ANGLE PROJECTION | DRAWING         | SERIES       | MATERIAL NUMBER | CUSTOMER       | SHEET NUMBER |       |         |    |     |         |                                       |  |         |                    |  |                    |          |   |          |   |          |        |         |       |          |       |   |  |               |            |              |            |                |            |               |            |   |  |  |  |                          |  |  |                 |          |          |
|  |  |                        | A3-SIZE         | 120341       | SEE TABLE 1     | GENERAL MARKET | 1 OF 2       |       |         |    |     |         |                                       |  |         |                    |  |                    |          |   |          |   |          |        |         |       |          |       |   |  |               |            |              |            |                |            |               |            |   |  |  |  |                          |  |  |                 |          |          |

TABLE 1

| MOLEX PN        | ENGINEERING NO. | DESCRIPTION                                   | LENGTH [mm] |
|-----------------|-----------------|---|-------------|
| 1203410600      | E66E06020M005   | CSE RJ45 CAT6A 8P 0C FE STR PUR GREEN 0.5M    | 500         |
| 1203410601      | E66E06020M010   | CSE RJ45 CAT6A 8P 0C FE STR PUR GREEN 1M      | 1000        |
| 1203410602      | E66E06020M020   | CSE RJ45 CAT6A 8P 0C FE STR PUR GREEN 2M      | 2000        |
| 1203410603      | E66E06020M030   | CSE RJ45 CAT6A 8P 0C FE STR PUR GREEN 3M      | 3000        |
| 1203410604      | E66E06020M040   | CSE RJ45 CAT6A 8P 0C FE STR PUR GREEN 4M      | 4000        |
| 1203410605      | E66E06020M050   | CSE RJ45 CAT6A 8P 0C FE STR PUR GREEN 5M      | 5000        |
| 1203410606      | E66E06020M100   | CSE RJ45 CAT6A 8P 0C FE STR PUR GREEN 10M     | 10000       |
| 1203410607      | E66E06020M150   | CSE RJ45 CAT6A 8P 0C FE STR PUR GREEN 15M     | 15000       |
| 1203410960      | E66E06020M200   | CSE RJ45 CAT6A 8P 0C FE STR PUR GREEN 20M     | 20000       |
| 1203410862      | E66E06020M250   | CSE RJ45 CAT6A 8P 0C FE STR PUR GREEN 25M     | 25000       |
| 1203410961      | E66E06020M300   | CSE RJ45 CAT6A 8P 0C FE STR PUR GREEN 30M     | 30000       |
| 1203410962      | E66E06020M400   | CSE RJ45 CAT6A 8P 0C FE STR PUR GREEN 40M     | 40000       |
| 1203410963      | E66E06020M500   | CSE RJ45 CAT6A 8P 0C FE STR PUR GREEN 50M     | 50000       |
| 1203410909      | E66E06020M550   | CSE RJ45 CAT6A 8P 0C FE STR PUR GREEN 55M     | 55000       |
| 1203410964      | E66E06020M600   | CSE RJ45 CAT6A 8P 0C FE STR PUR GREEN 60M     | 60000       |
| 1203410910      | E66E06020M650   | CSE RJ45 CAT6A 8P 0C FE STR PUR GREEN 65M     | 65000       |
| 1203410965      | E66E06020M700   | CSE RJ45 CAT6A 8P 0C FE STR PUR GREEN 70M     | 70000       |
| 1203410966      | E66E06020M800   | CSE RJ45 CAT6A 8P 0C FE STR PUR GREEN 80M     | 80000       |
| 1203410934      | E66E06020M900   | CSE RJ45 CAT6A 8P 0C FE STR PUR GREEN 90M     | 90000       |
| WITH ID CARRIER |                 |   |             |
| 1203410608      | E66E06020M005H  | CSE RJ45 CAT6A 8P 0C FE STR PUR GREEN 0.5M-ID | 500         |
| 1203410609      | E66E06020M010H  | CSE RJ45 CAT6A 8P 0C FE STR PUR GREEN 1M-ID   | 1000        |
| 1203410610      | E66E06020M020H  | CSE RJ45 CAT6A 8P 0C FE STR PUR GREEN 2M-ID   | 2000        |
| 1203410967      | E66E06020M030H  | CSE RJ45 CAT6A 8P 0C FE STR PUR GREEN 3M-ID   | 3000        |
| 1203410611      | E66E06020M050H  | CSE RJ45 CAT6A 8P 0C FE STR PUR GREEN 5M-ID   | 5000        |
| 1203410971      | E66E06020M060H  | CSE RJ45 CAT6A 8P 0C FE STR PUR GREEN 6M-ID   | 6000        |
| 1203410970      | E66E06020M080H  | CSE RJ45 CAT6A 8P 0C FE STR PUR GREEN 8M-ID   | 8000        |
| 1203410612      | E66E06020M100H  | CSE RJ45 CAT6A 8P 0C FE STR PUR GREEN 10M-ID  | 10000       |
| 1203410613      | E66E06020M150H  | CSE RJ45 CAT6A 8P 0C FE STR PUR GREEN 15M-ID  | 15000       |
| 1203410969      | E66E06020M170H  | CSE RJ45 CAT6A 8P 0C FE STR PUR GREEN 17M-ID  | 17000       |
| 1203410620      | E66E06020M200H  | CSE RJ45 CAT6A 8P 0C FE STR PUR GREEN 20M-ID  | 20000       |
| 1203410973      | E66E06020M250H  | CSE RJ45 CAT6A 8P 0C FE STR PUR GREEN 25M-ID  | 25000       |
| 1203410621      | E66E06020M300H  | CSE RJ45 CAT6A 8P 0C FE STR PUR GREEN 30M-ID  | 30000       |
| 1203410622      | E66E06020M400H  | CSE RJ45 CAT6A 8P 0C FE STR PUR GREEN 40M-ID  | 40000       |
| 1203410968      | E66E06020M460H  | CSE RJ45 CAT6A 8P 0C FE STR PUR GREEN 46M-ID  | 46000       |
| 1203410623      | E66E06020M500H  | CSE RJ45 CAT6A 8P 0C FE STR PUR GREEN 50M-ID  | 50000       |
| 1203410972      | E66E06020M530H  | CSE RJ45 CAT6A 8P 0C FE STR PUR GREEN 53M-ID  | 53000       |
| 1203410624      | E66E06020M600H  | CSE RJ45 CAT6A 8P 0C FE STR PUR GREEN 60M-ID  | 60000       |
| 1203410625      | E66E06020M700H  | CSE RJ45 CAT6A 8P 0C FE STR PUR GREEN 70M-ID  | 70000       |
| 1203410913      | E66E06020M800H  | CSE RJ45 CAT6A 8P 0C FE STR PUR GREEN 80M-ID  | 80000       |

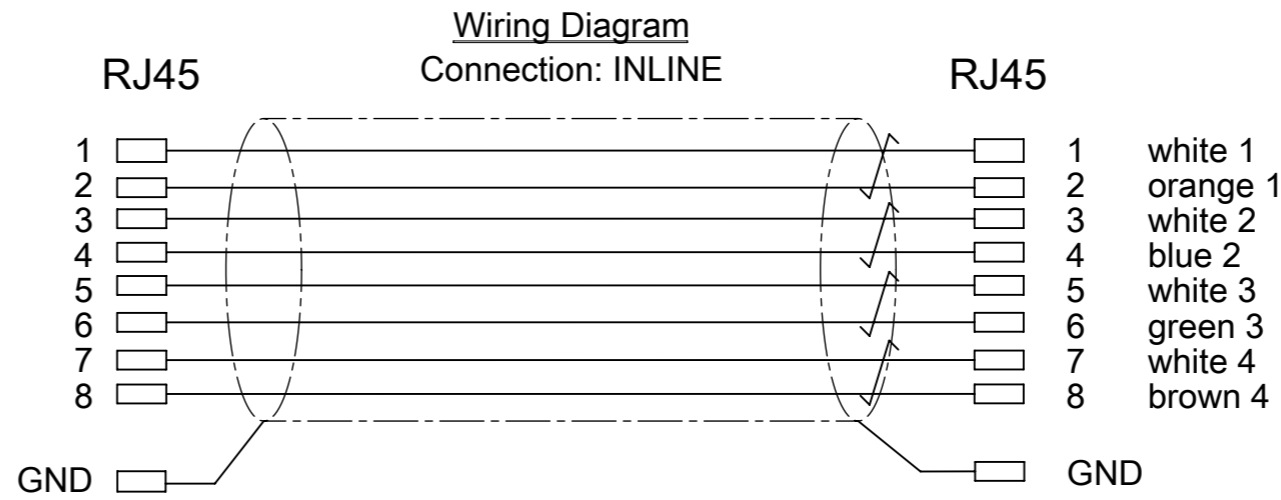
CABLE LENGTH TOLERANCES

| LENGTH       | TOLERANCE  |
|--------------|------------|
| 0 m - 1 m    | +40 mm     |
| >1 m - 5 m   | +60 mm     |
| >5 m - 10 m  | +80 mm     |
| >10 m - 20 m | +140 mm    |
| >20 m - 30 m | +160 mm    |
| >30 m        | +1% length |

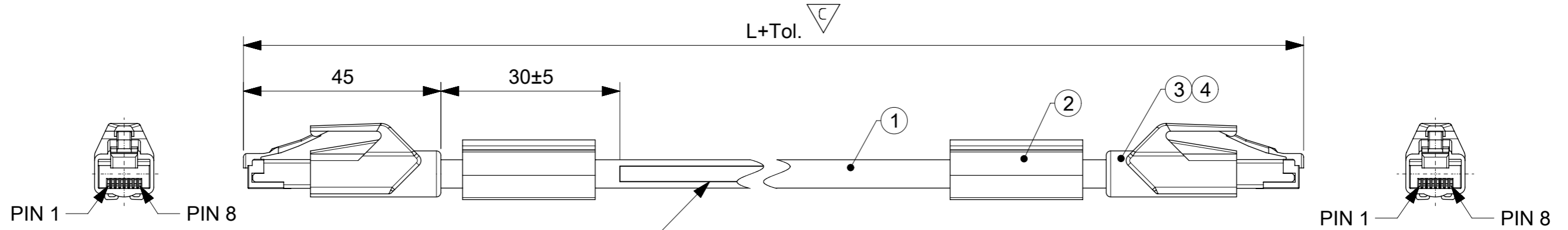
|   |   |                                       |                   |            |
|---|---|---------------------------------------|-------------------|------------|
| FUNCTIONAL SYMBOLS<br>∇/A = 0<br>∇/E = 0<br>∇/P = 0 | THIS DRAWING CONTAINS INFORMATION THAT IS PROPRIETARY TO MOLEX ELECTRONIC TECHNOLOGIES, LLC AND SHOULD NOT BE USED WITHOUT WRITTEN PERMISSION | SCALE<br>1:1                          | CURRENT REV DESC: |            |
|   | mm  | GENERAL TOLERANCES (UNLESS SPECIFIED) | EC NO: 748912     |            |
| DIVISIONAL SYMBOLS                                  | ANGULAR TOL ± 1.0 °   | 4 PLACES ±                            | DRWN: ARPITT      | 2023/05/09 |
|   | 2 PLACES ± 0.05   | 3 PLACES ±                            | CHK'D: RSILLER    | 2023/05/09 |
|   | 1 PLACE ± 0.3   | 2 PLACES ±                            | APPR: RSILLER     | 2023/05/09 |
|   | 0 PLACES ± 0.5  | 1 PLACE ±                             | INITIAL REVISION: |            |
|   | DRAFT WHERE APPLICABLE MUST REMAIN WITHIN DIMENSIONS  | 0 PLACES ±                            | DRWN: MDHARMANTI  | 2019/10/10 |
|   | THIRD ANGLE PROJECTION  | APPR: RSILLER                         | 2019/10/15        |            |
|   | DRAWING   | SERIES                                | DOCUMENT NUMBER   | DOC TYPE   |
|   | A3-SIZE   | 120341                                | 1203410600        | PSD        |
|   | MATERIAL NUMBER   | CUSTOMER                              | DOC PART          | REVISION   |
|   | SEE TABLE 1   | GENERAL MARKET                        | 000               | A5         |
|   | SHEET NUMBER  |                                       |                   |            |
|   | 2 OF 2  |                                       |                   |            |

**CABLE SPECIFICATION:**

CONDUCTOR:  
SECTION 4x2x26AWG  
JACKET:  
MATERIAL: PUR  
COLOR: TEAL  
DIAMETER: 6.4mm  
TEMPERATURE RANGE:  
DINAMIC: -10°C TO +50°C  
STATIC: -40°C TO +70°C  
MAX. OPERATING VOLTAGE: 125V

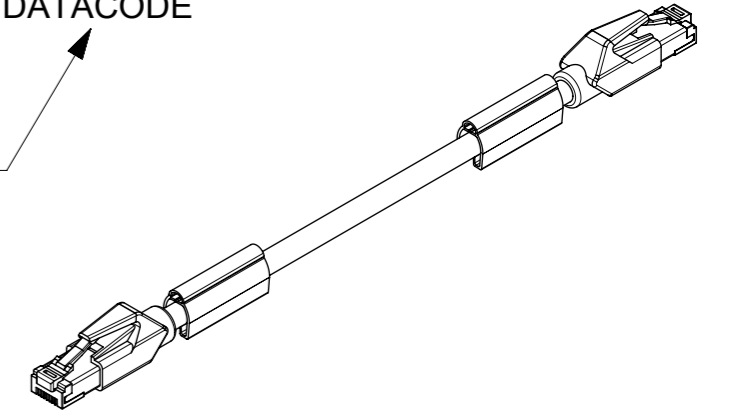


PAIRS OF WIRES  
PAIR 1: WHITE 1 - ORANGE 1  
PAIR 2: WHITE 2 - GREEN 2  
PAIR 3: WHITE 3 - BROWN 3  
PAIR 4: WHITE 4 - BLUE 4



CABLE PRINTING:  
MOLEX ETHERNET CABLE CAT6A 4x2x26 MOLEX PN DATACODE

SEE TABLE 1  
DATE ACC. TO WN-00001



SCALE 1:2

TABLE 1

| MOLEX PN   | L[mm] | ENGINEERING PN |
|------------|-------|----------------|
| 1203410608 | 500   | E66E06020M005H |
| 1203410609 | 1000  | E66E06020M010H |
| 1203410610 | 2000  | E66E06020M020H |
| 1203410611 | 5000  | E66E06020M050H |
| 1203410612 | 10000 | E66E06020M100H |
| 1203410613 | 15000 | E66E06020M150H |
| 1203410620 | 20000 | E66E06020M200H |
| 1203410621 | 30000 | E66E06020M300H |
| 1203410622 | 40000 | E66E06020M400H |
| 1203410623 | 50000 | E66E06020M500H |
| 1203410624 | 60000 | E66E06020M600H |
| 1203410625 | 70000 | E66E06020M700H |

| OVER  | UP TO AND INCLUDING | TOLERANCE     |
|-------|---------------------|---------------|
| 0     | 305                 | +19           |
| 305   | 915                 | +45           |
| 915   | 1830                | +56           |
| 1830  | 3660                | +89           |
| 3660  | 7320                | +165          |
| 7320  | 14640               | +317          |
| 14640 | 30500               | +610          |
| 30500 | >                   | +2% OF LENGTH |

**BILL OF MATERIALS**

| ITEM | QTY. | DESCRIPTION      | MATERIAL | FINISH |
|------|------|------------------|----------|--------|
| 4    | -    | TAPE             | COPPER   | -      |
| 3    | 2    | PLUG RJ45        | -        | -      |
| 2    | 2    | ID CARRIER       | -        | -      |
| 1    | -    | CABLE 26AWG D6.4 | PUR      | -      |

|  |   |                   |                    |                                       |                 |              |          |          |
|--|---|-------------------|--------------------|---------------------------------------|-----------------|--------------|----------|----------|
| FUNCTIONAL SYMBOLS<br>FA = 0<br>FE = 0<br>FE = 0     | THIS DRAWING CONTAINS INFORMATION THAT IS PROPRIETARY TO MOLEX ELECTRONIC TECHNOLOGIES, LLC AND SHOULD NOT BE USED WITHOUT WRITTEN PERMISSION | SCALE<br>mm 1:1   | CURRENT REV DESC:  |                                       |                 |              |          |          |
|  | GENERAL TOLERANCES (UNLESS SPECIFIED)   | ANGULAR TOL ± °   | EC NO: 634425      |                                       |                 |              |          |          |
|  | DIVISIONAL SYMBOLS  | 4 PLACES ±        | DRWN: MKOWALCZYK01 | 2020/03/20                            | <b>molex</b>    |              |          |          |
|  | 3 PLACES ±  | DRWN: DSTACHOWIAK | 2020/03/23         | CSE RJ45 CAT6A 8P 0C FE STR PUR XM-ID |                 |              |          |          |
| 2 PLACES ±   | 2 PLACES ±  | APPR: DSTACHOWIAK | 2020/03/23         | PRODUCT CUSTOMER DRAWING              |                 |              |          |          |
| 1 PLACE ±  | 1 PLACE ±   | INITIAL REVISION: | DRWN: DSTACHOWIAK  | 2017/05/29                            | DOCUMENT NUMBER | DOC TYPE     | DOC PART | REVISION |
| 0 PLACES ±   | 0 PLACES ±  | APPR: MIWASIECZKO | 2017/06/05         | 1203410608                            | PSD             | 000          | B        |          |
| DRAFT WHERE APPLICABLE MUST REMAIN WITHIN DIMENSIONS | THIRD ANGLE PROJECTION  | DRAWING           | SERIES             | MATERIAL NUMBER                       | CUSTOMER        | SHEET NUMBER |          |          |
|  |   | A3-SIZE           | 120341             | SEE TABLE 1                           | GENERAL MARKET  | 1 OF 1       |          |          |