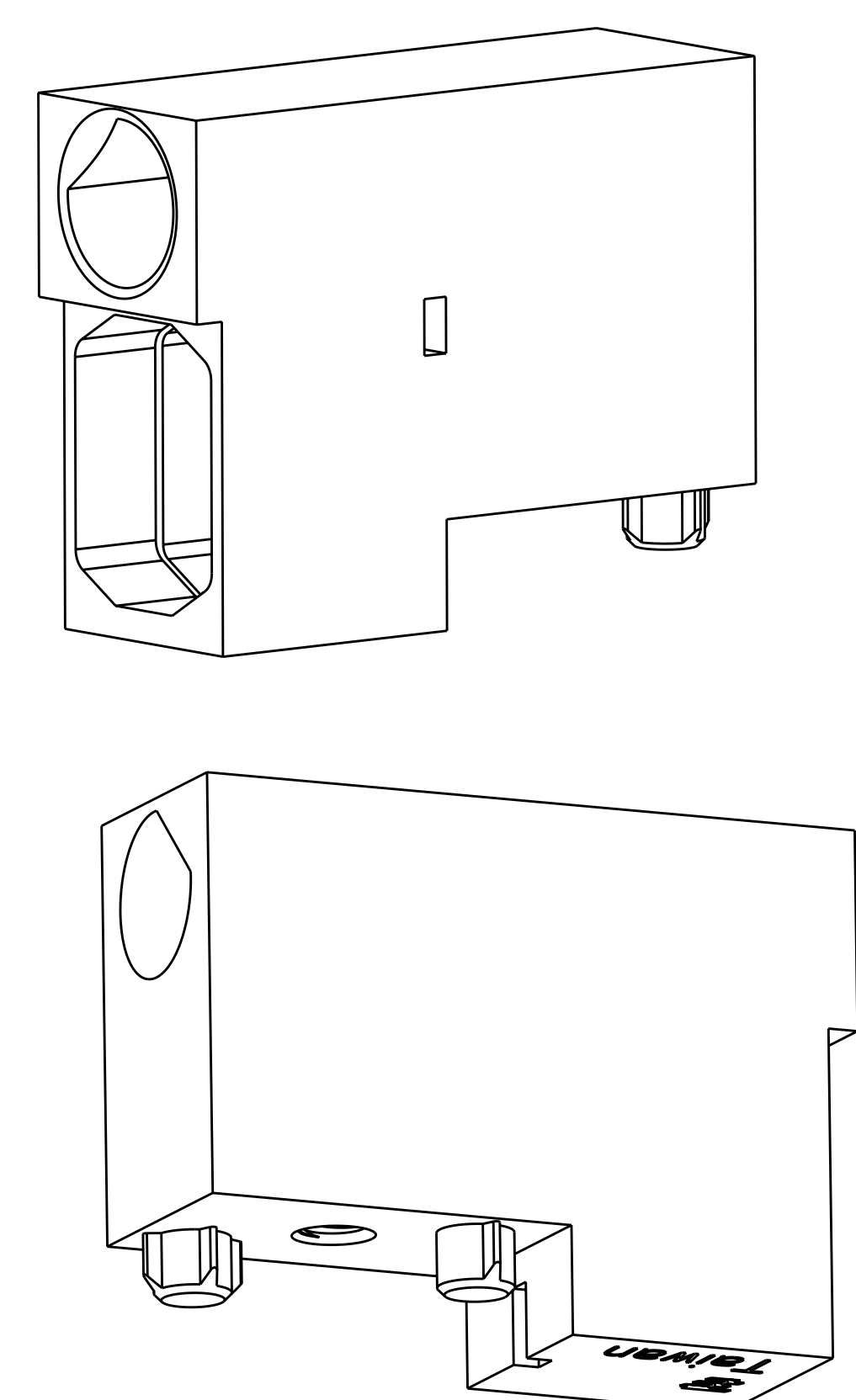
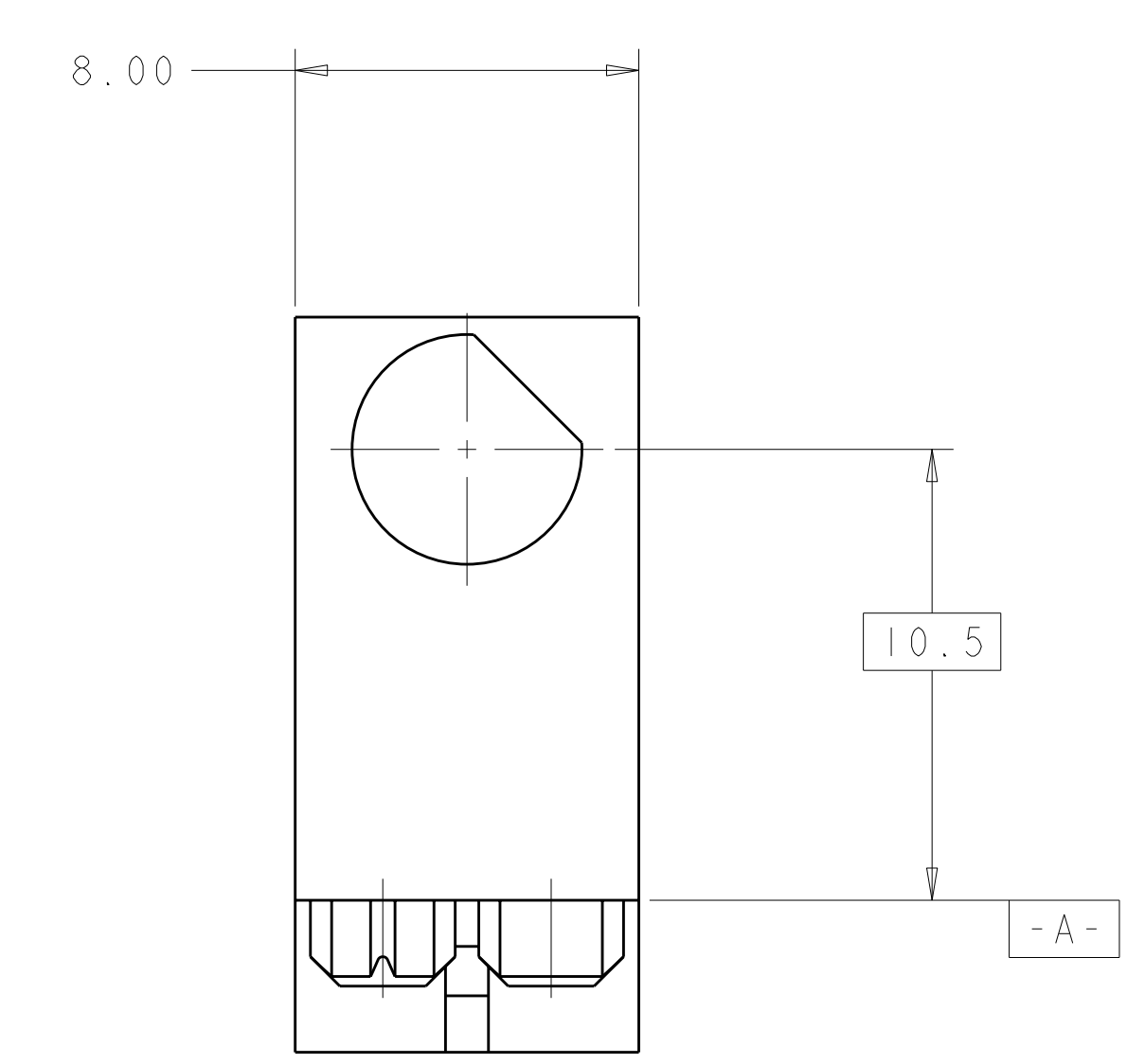
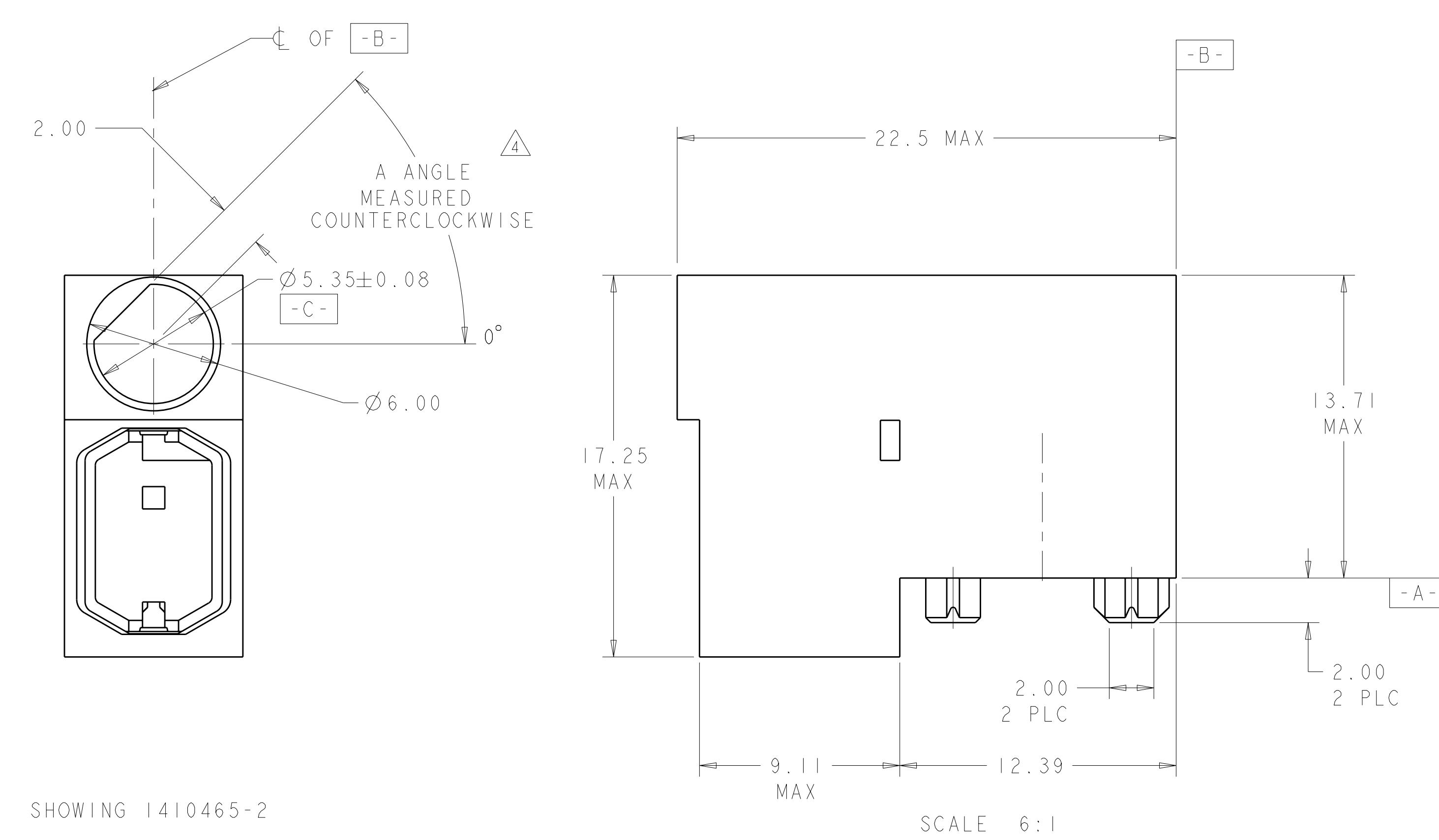
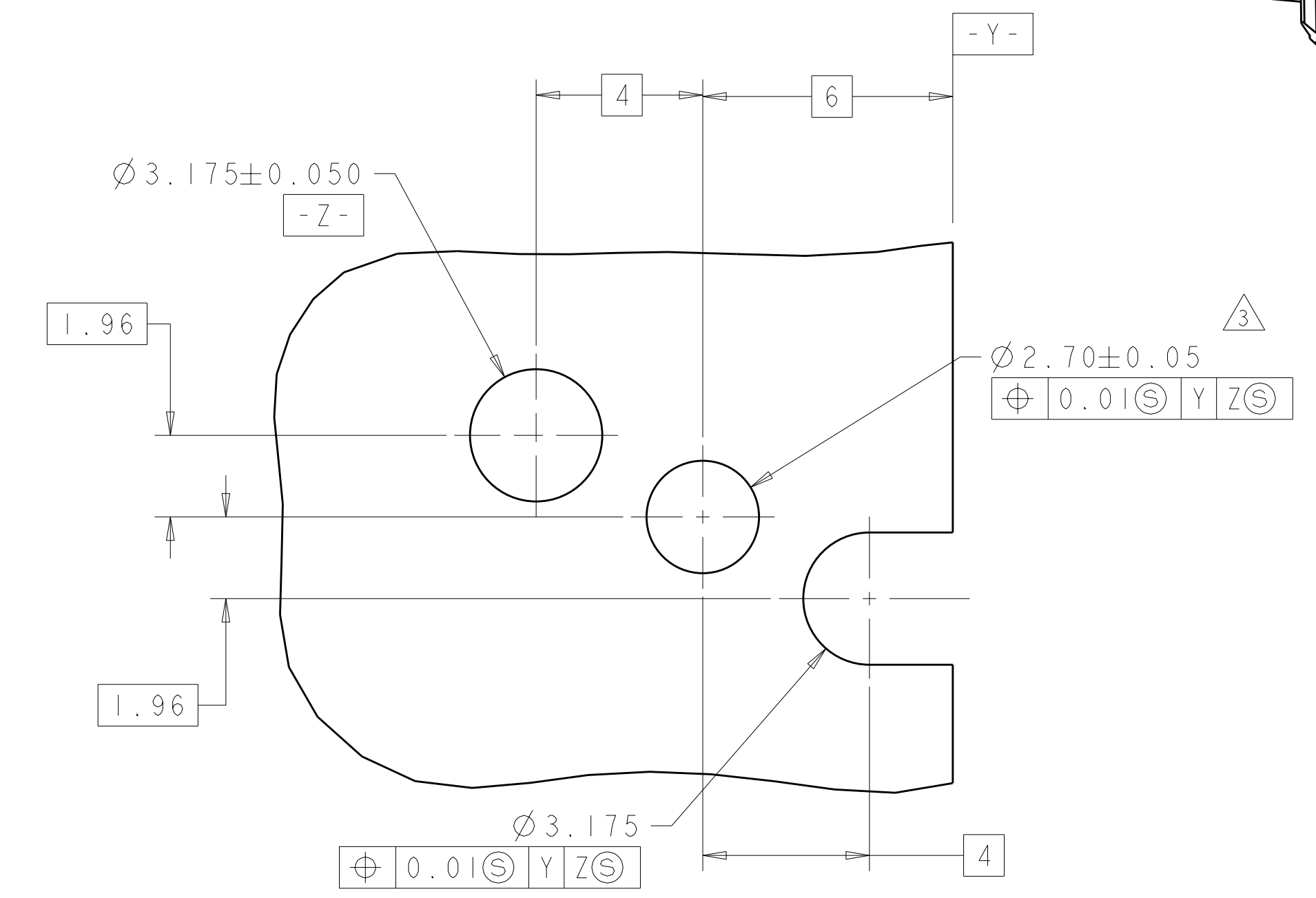
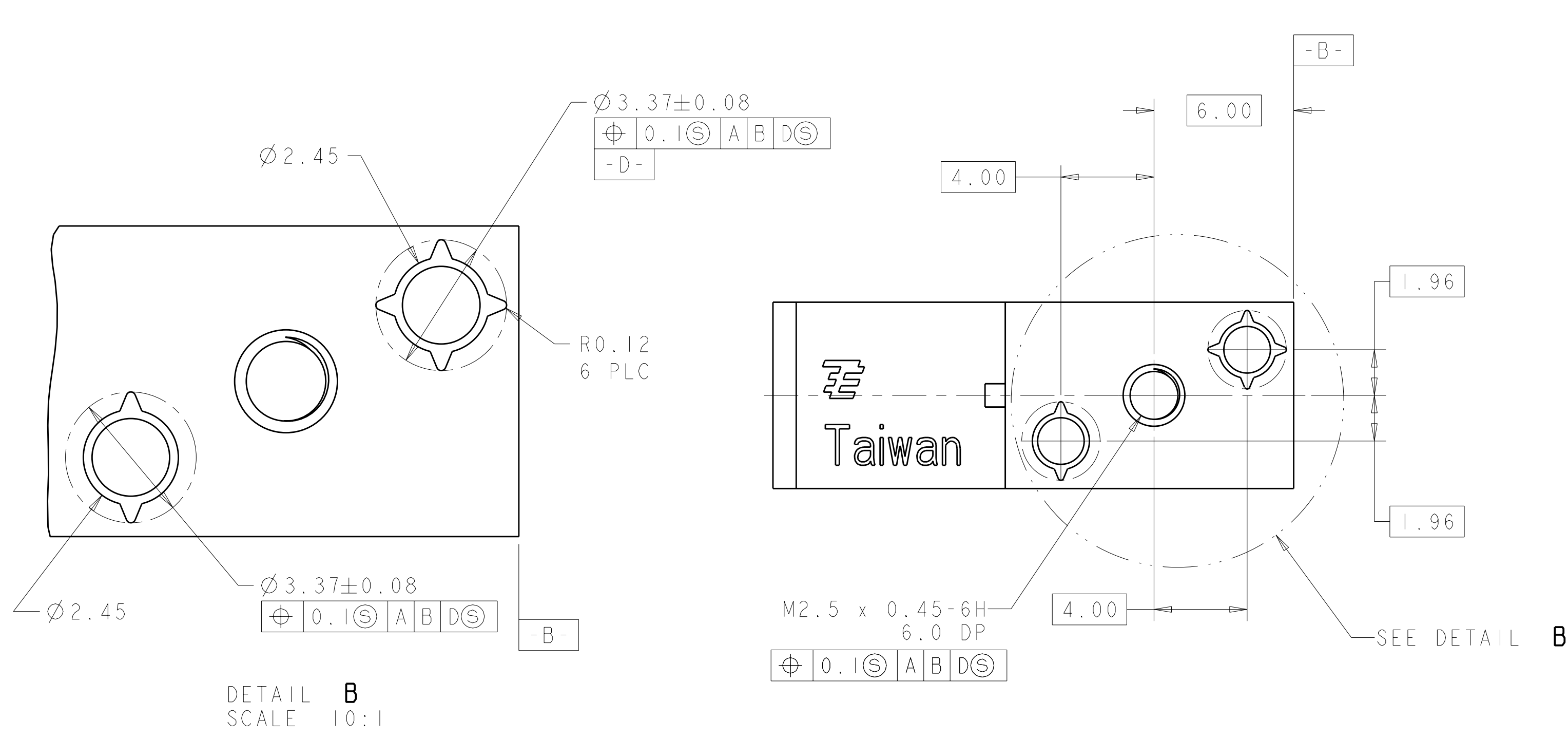


LOC	DIST	REVISIONS			
AD	00	REV	DATE	BY	APPD
		1	PROPOSED	24APR09	RT GG
		2	REVISED NOTE 1 AND 2	12MAY2009	RT GG
		A	RELEASED	16JUN2009	RT RP
		B	REV PER ECO-10-006114	13APR2010	BC DY

- ZINC ALLOY
 - FINISH: CLEAR CHROMATE
- △ HOLE FOR POSITIVE RETENSION SCREW
 △ DASH NUMBERS INDICATE KEY ORIENTATION



SHOWING 1410465-2



FINISH	ANGLE	PART NUMBER
NO FLAT	1410465-9	
315°	1410465-8	
270°	1410465-7	
225°	1410465-6	
180°	1410465-5	
135°	1410465-4	
90°	1410465-3	
45°	1410465-2	
0°	1410465-1	

DIMENSIONS:		TOLERANCES UNLESS OTHERWISE SPECIFIED:		DWN		Tyco Electronics	
mm	9 PLC ±	mm	±	R. TREA	24APR2009	Tyco Electronics Harrisburg, PA 17105-3608	
	1 PLC ±0.13		±	CHK G. GRIFFITH	24APR2009	KEYING/GUIDE RECEPTACLE, VITA 41	
	5 PLC ±0.013		±	APPD D. YI	13APR2010	SIZE CAGE CODE DRAWING NO RESTRICTED TO	
	4 PLC ±		±			A 100779 C=1410465	
	ANGLES ±		±			SCALE 5:1 SHEET 1 OF 1 REV B	
MATERIAL	FINISH	WEIGHT		CUSTOMER DRAWING			