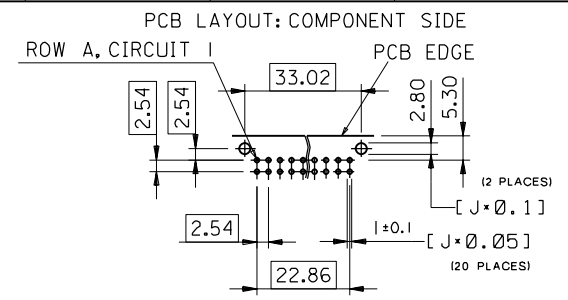
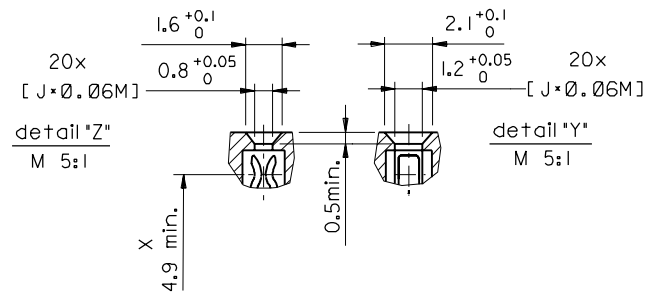
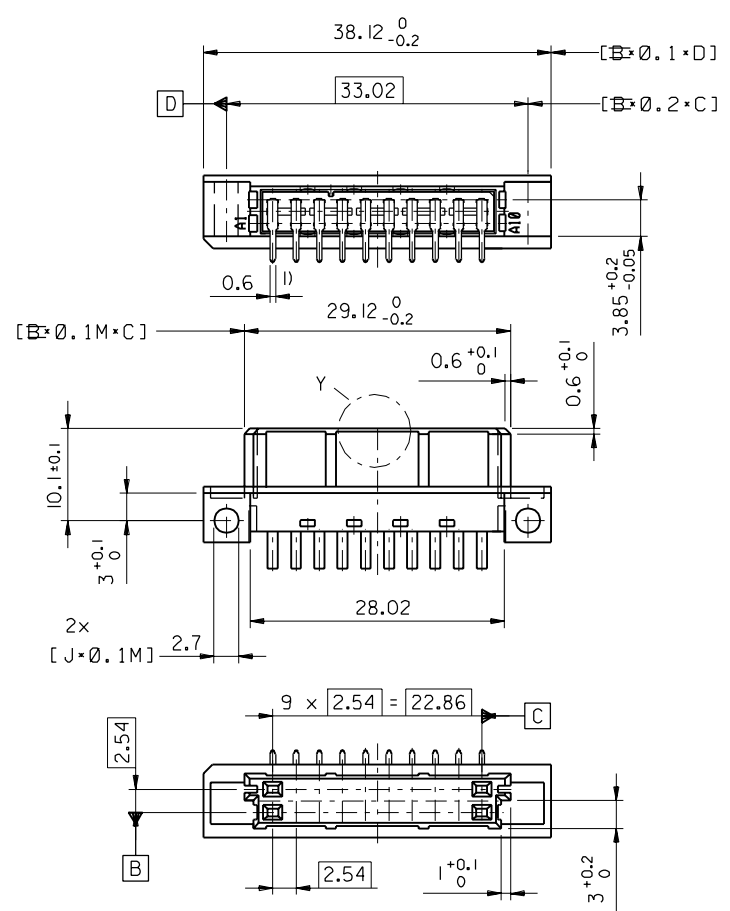
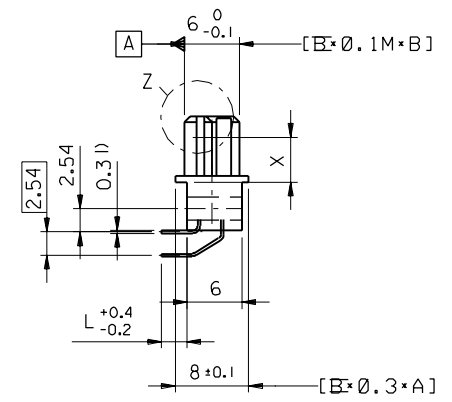


PART NO.
DWG. NO.



1) tails to fit in PC-board layout



FIRST ANGLE PROJECTION		REVISE ONLY ON CAD SYSTEM		SH.	REV.
UNLESS OTHERWISE SPECIFIED TOLERANCES: ANGULAR ±2°		CAD/CAM PROJECT NAME		THIS DRAWING CONTAINS INFORMATION THAT IS PROPRIETARY TO MOLEX INC. & SHOULD NOT BE USED WITHOUT WRITTEN PERMISSION	
INCH METRIC		85050000 s31			
3 PLACE ± ±		TITLE		20 pos. female connector	
2 PLACE ± ±		DIN 41612 style Q/3		Dimensions	
1 PLACE ± ±		MOLEX EUROPE		SHEET NO. DATE	
DRAFT WHERE APPLICABLE MUST REMAIN WITHIN DIMENSIONS		1 OF 1		96/04/25	
DESIGN DIMENSION <input checked="" type="checkbox"/> MM <input type="checkbox"/> IN.		PART NO.		DWG NO.	
EQUIVALENT DIMENSION <input type="checkbox"/> MM <input type="checkbox"/> IN.		SDA-85050-0003		SIZE	
IF TWO DIMENSIONS ARE SHOWN THE UPPER IS THE DESIGN DIMENSION, LOWER IS SECONDARY		SCALE		B	
2:1					

ECN MG1998-2586	REVISIONS
L +0.4-0.2, Lockbild 97-09-17 KN	
BI	LTR

VIEW ON MATING SIDE

∞	B	B	B	B	B	B	B	B	B
∞	A	A	A	A	A	A	A	A	A

∞ ∞ ∞ ∞ ∞ ∞ ∞ ∞ ∞ ∞ ∞

A = 10 CONTACTS L=2,8
 B = 10 CONTACTS L=2,8

S = 20 TOTAL NUMBER OF CONTACTS

Marking	Standard
Performance level	G2/0 = Contact area perform. level2 / Termination tin
Flux proof	no
Fixing clip	no
Dimensions	SDA-85050-0003 sht.1
Technical Data	PS-85052-0001

B	G2/0	b1-I0
A	G2/0	a1-I0
Contact symbol	Perform. level	Contact position number

ECN 2264 Produkt spec. 96-10-21 KN	REVISIONS	FOR PREVIOUS REVISIONS SEE MRI LIST
LTR	DESIGN DIMENSION <input type="checkbox"/> MM <input type="checkbox"/> IN. EQUIVALENT DIMENSION <input type="checkbox"/> MM <input type="checkbox"/> IN. IF TWO DIMENSIONS ARE SHOWN, THE UPPER IS THE DESIGN DIMENSION, LOWER IS SECONDARY	SCALE
DRAFT WHERE APPLICABLE MUST REMAIN WITHIN DIMENSIONS	3 PLACE ± . ± 2 PLACE ± . ± 1 PLACE ± . ±	DRWG BY Cc CHK'D BY KN APP'D BY
UNLESS OTHERWISE SPECIFIED TOLERANCES: ANGULAR ± 2° INCH METRIC	SIGN	DRWG PROJECT NAME s8505000 s81
REVISE ONLY ON CAD SYSTEM	SH. REV.	THIS DRAWING CONTAINS INFORMATION THAT IS PROPRIETARY TO MOLEX INC. & SHOULD NOT BE USED WITHOUT WRITTEN PERMISSION
ECN 2264 Produkt spec. 96-10-21 KN	REVISIONS	FOR PREVIOUS REVISIONS SEE MRI LIST
LTR	DESIGN DIMENSION <input type="checkbox"/> MM <input type="checkbox"/> IN. EQUIVALENT DIMENSION <input type="checkbox"/> MM <input type="checkbox"/> IN. IF TWO DIMENSIONS ARE SHOWN, THE UPPER IS THE DESIGN DIMENSION, LOWER IS SECONDARY	SCALE
DRAFT WHERE APPLICABLE MUST REMAIN WITHIN DIMENSIONS	3 PLACE ± . ± 2 PLACE ± . ± 1 PLACE ± . ±	DRWG BY Cc CHK'D BY KN APP'D BY
UNLESS OTHERWISE SPECIFIED TOLERANCES: ANGULAR ± 2° INCH METRIC	SIGN	DRWG PROJECT NAME s8505000 s81
REVISE ONLY ON CAD SYSTEM	SH. REV.	THIS DRAWING CONTAINS INFORMATION THAT IS PROPRIETARY TO MOLEX INC. & SHOULD NOT BE USED WITHOUT WRITTEN PERMISSION
20 pos. female connector acc. DIN 41612 style Q/3 contacts arrangement	TITLE	
MOLEX®	MOLEX EUROPE	SHEET NO. DATE 1 OF 1 96/06/13
85050-0086	PART NO.	DWG NO. SDA-85050-0086
SIZE	A	