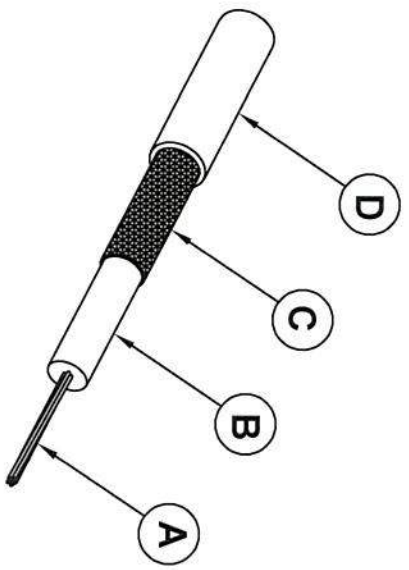


ALPHA 9851-SLATE COAXIAL CABLE SPECS

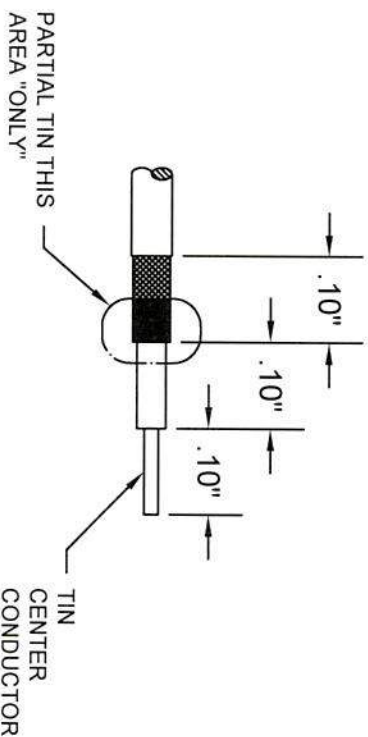
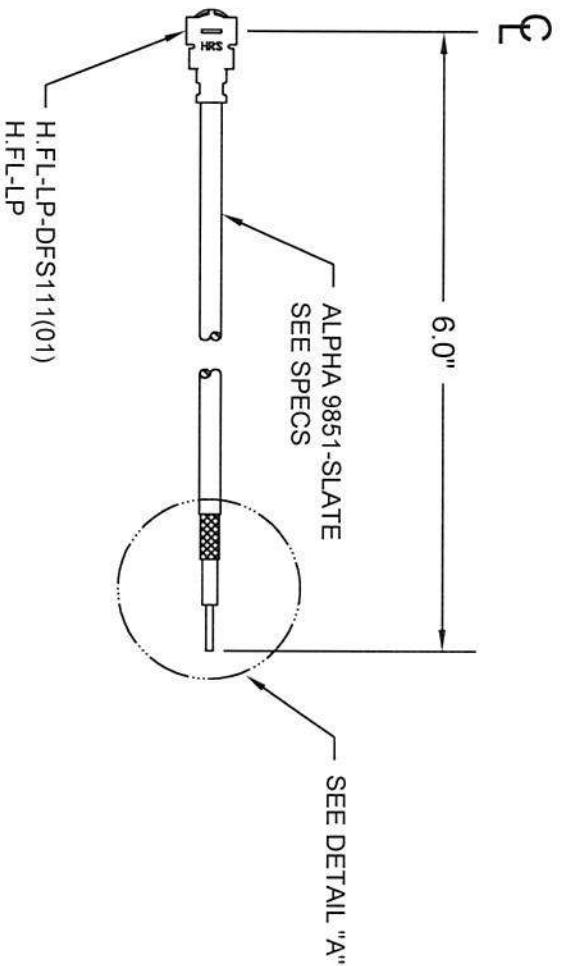


CONSTRUCTION

- A. CONDUCTOR: AWG 30 (7/38) SILVER PLATED COPPER CLAD STEEL, 0.012" NOMINAL
- B. DIELECTRIC: FEP, .033" NOMINAL DIA.
- C. SHIELD: AWG 40(1) SPC BRAIDED SHIELD
- D. JACKET: GRAY FEP, 0.006" THICK, 0.058" +/- .003"

REQUIREMENTS

- 1. IMPEDANCE: 50 +/- 2 OHMS
- 2. CAPACITANCE: 30 PF / FT NOM
- 3. VELOCITY OF PROPAGATION: 69% OF AIR NOM
- 4. ATTENUATION: 29dB/100FT NOM @ 400MHz
49dB/100FT (EST.) @ 1GHz
- 5. DIELECTRIC BREAKDOWN: 1,000 VOLTS



CONFIDENTIAL

THIS DRAWING AND THE SPECIFICATIONS CONTAINED HEREIN ARE THE PROPERTY OF KSM ELECTRONICS INC. AND MAY NOT BE REPRODUCED OR USED IN WHOLE OR IN PART AS THE BASIS FOR MANUFACTURE OR SALE OF PRODUCTS WITHOUT WRITTEN PERMISSION OF KSM ELECTRONICS INC.

KSM Electronics Inc. 6630 N.W. 16TH Terrace
Ft. Lauderdale, FL 33309

DRAWN BY: JOSHUA SALCEDO
APPROVED BY: CHARLIE MURPHY

NOTE: THIS DRAWING INCORPORATES THIRD ANGLE PROJECTION



H.FL CABLE ASSEMBLY

TITLE	H.FL CABLE ASSEMBLY		
SIZE	GAGE CODE	DRAWING NUMBER	
A	67013	KSM-2901-06	
SCALE: NONE	WEIGHT:		SHEET 1 OF 1