

DESCRIPTION: M5 MALE - CABLE MOUNT - SOLDER CUP - 4 POSITION

NOTE:

MATERIAL

HOUSING: TPU, BLACK

CONTACT: BRASS

NUT: BRASS

FINISH

CONTACT: GOLD PLATED

OVER 50µ" NICKEL

NICKEL

ELECTRICAL

RATED CURRENT: 1A

RATED VOLTAGE: 60V

INSULATION RESISTANCE: 100 MΩhms MIN.

CONTACT RESISTANCE: 10 mΩhms MAX.

WATER PROOF: IP67

ENVIRONMENT

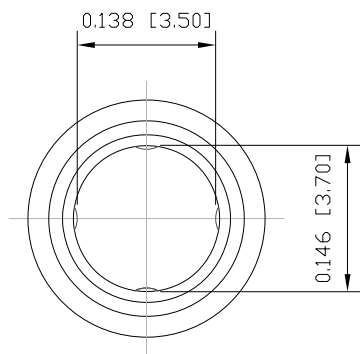
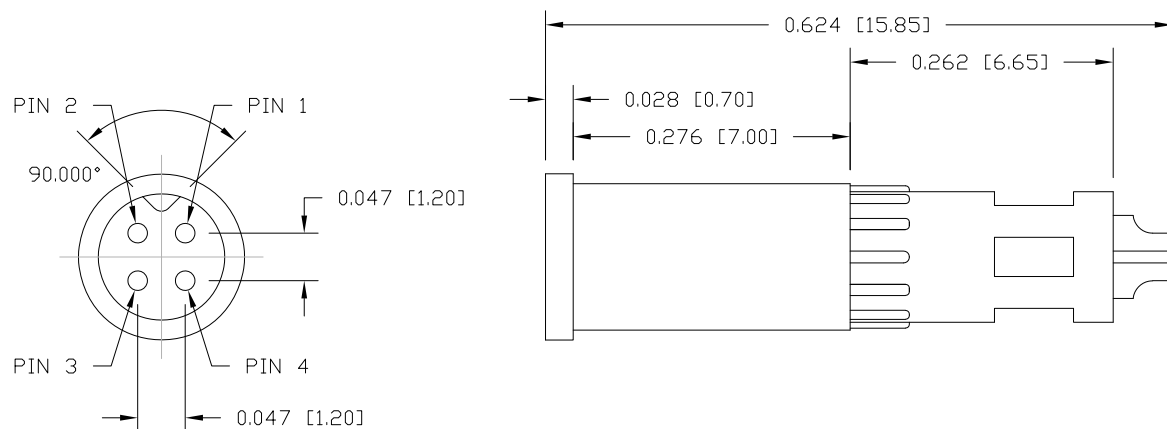
OPERATION TEMPERATURE: -40°C TO +85°C

WIRE GAUGE: 28 AWG MAX RECOMMENDED

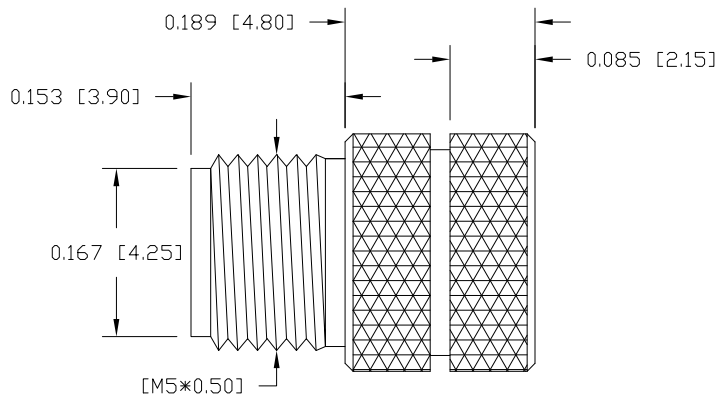
850-004-103RLUY

1 = GOLD FLASH

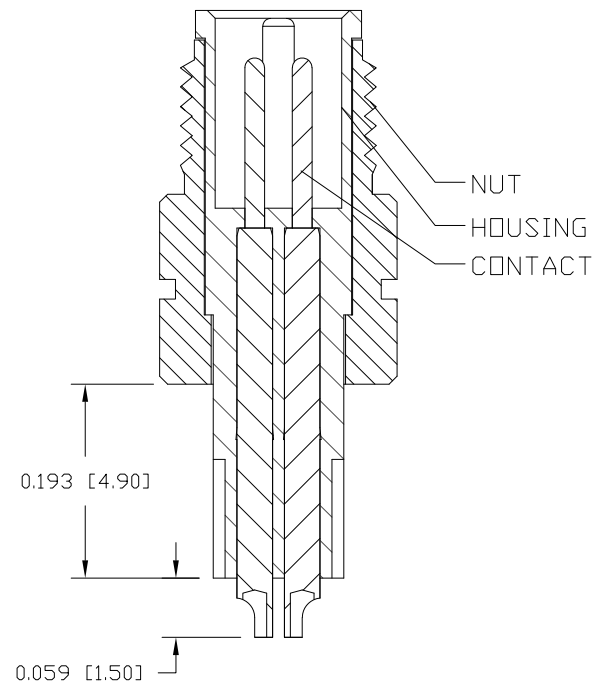
4 = 10µ" GOLD



NUT



[M5*0.50]



RoHS COMPLIANT

UNITS = inch [mm]

DO NOT SCALE FROM DRAWING



THESE DRAWINGS AND SPECIFICATIONS ARE THE PROPERTY OF NorComp AND SHALL NOT BE REPRODUCED, COPIED OR USED AS THE BASIS FOR THE MANUFACTURE OR SALE OF APPARATUS WITHOUT WRITTEN PERMISSION.

DRAWN:

M. SIGMON

DATE:

03-04-16

NorComp

SCALE: NTS

SHEET 1 OF 1

REV 6

DWG NO.

850-004-103RLUY