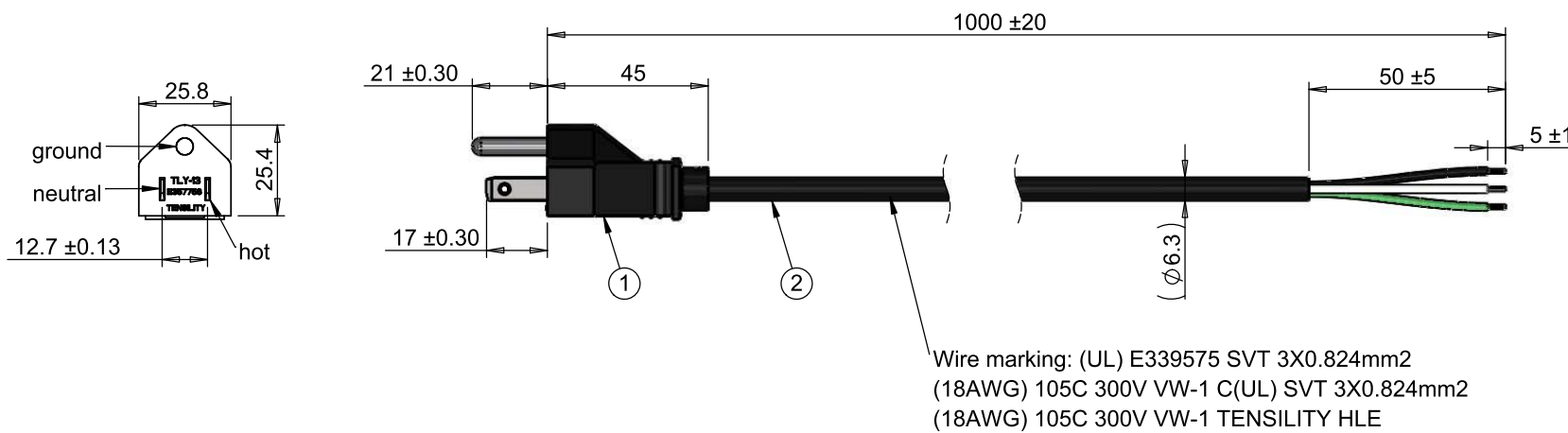


| ITEM NO. | PART NUMBER | DESCRIPTION | QTY. | COMPONENT NOTES |
|----------|-------------|---|------|-----------------|
| 1 | TLY-13 | NEMA 5-15P | 1 | black overmold |
| 2 | 30-00244 | Wire, 3C, 18 AWG, UL SVT, 300V, 105C, 6.3 mm, VW-1, PVC | 1 | |



| Wiring Diagram | |
|----------------|------------|
| TLY-13 | wire color |
| hot | black |
| neutral | white |
| ground | green |

Notes:
Electrical requirements: 10 A at 125 Vac

| | | | | | |
|-----------|------------|-----------------|--|--|--|
| Revision: | Date: | Description: | Prepared: | Notes: | <h1>TENSILITY</h1> <p>tel 1.541.323.3228 800 877.670.7118 fax 1.541.323.4202 web tensility.com</p> |
| A | 12/18/2012 | Initial Release | DN <small>Digitally signed by DN Date: 2017.01.25 07:37:55 -08'00'</small> | RoHS compliant | |
| | | | Verified: PS <small>Digitally signed by PS Date: 2017.01.26 14:51:54 -08'00'</small> | Function test: no open, no short circuit, no intermittent | |
| | | | Dimensions are in millimeters. Tolerances: X: ± 0.5 mm X.X: ± 0.3 mm X.XX: ± 0.05 mm | Description: Ac cord, 1000 mm, U.S, NEMA 5-15P plug, TLY-13 to tinned, 18 AWG, SVT wire, 30-00244 | |
| | | | | Size: A Part number: 11-00021 | |
| | | | | Scale: 1:2 | Sheet 1 of 1 |