
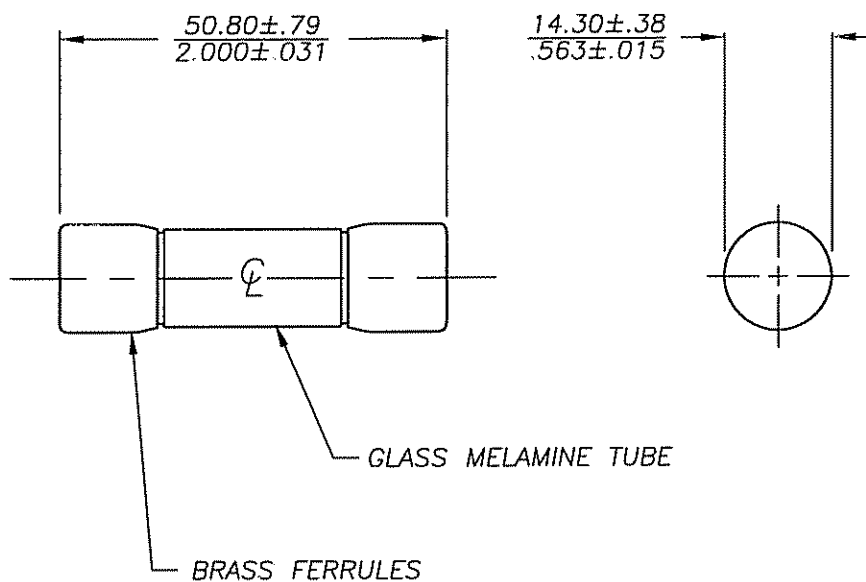


| | | | | |
|---|---|--|---|------------|
| CONFIDENTIAL. THE INFORMATION CONTAINED IN THIS DOCUMENT IS THE PROPERTY OF COOPER INDUSTRIES, INC. IT IS NOT FOR PUBLIC DISCLOSURE. POSSESSION OF THE INFORMATION DOES NOT CONVEY ANY RIGHT TO LOAN, SELL OR DISCLOSE THE INFORMATION. UNAUTHORIZED REPRODUCTION OR USE OF THE INFORMATION IS PROHIBITED. THIS DOCUMENT IS TO BE RETURNED TO COOPER INDUSTRIES, INC. UPON COMPLETION OF THE PURPOSE FOR WHICH IT IS LOANED OR UPON REQUEST. COPYRIGHT Cooper Industries, Inc. This is an unpublished work. The disclosure of this work is limited to select personnel. Further dissemination or disclosure to the public is PROHIBITED. This unpublished work is protected by Federal Copyright law and all rights thereunder are reserved by Cooper Industries, Inc. | SCALE | UNLESS OTHERWISE SPECIFIED TOLERANCES TO BE: | DATE | NO |
| | | METRIC $\pm 13\text{mm}$ | 9-26-03 | KAX 1/2-30 |
| | | INCHES $\pm 005''$ | TITLE | |
| | | ANGULAR $\pm 2^\circ$ | FUSE | |
| | ▲ (O) INDICATES CRITICAL DIMENSION OR FEATURE | | SUP NO | DATED |
| PAGE 1 OF 2 | | | KAX 1/2-30 | 3-27-80 |
| | | | DWG JG | CK |
| | | | ENG | CHANGE D |
| | | | | SB03297 |
| | | |  COOPER Bussmann St. Louis, MO 63178 | |
| | | | DISTRIBUTION | |
| | | | 54144 | 56 J |

METRIC(mm)
INCHES

Ⓣ REVISED & REDRAWN

CUSTOMER PRINT

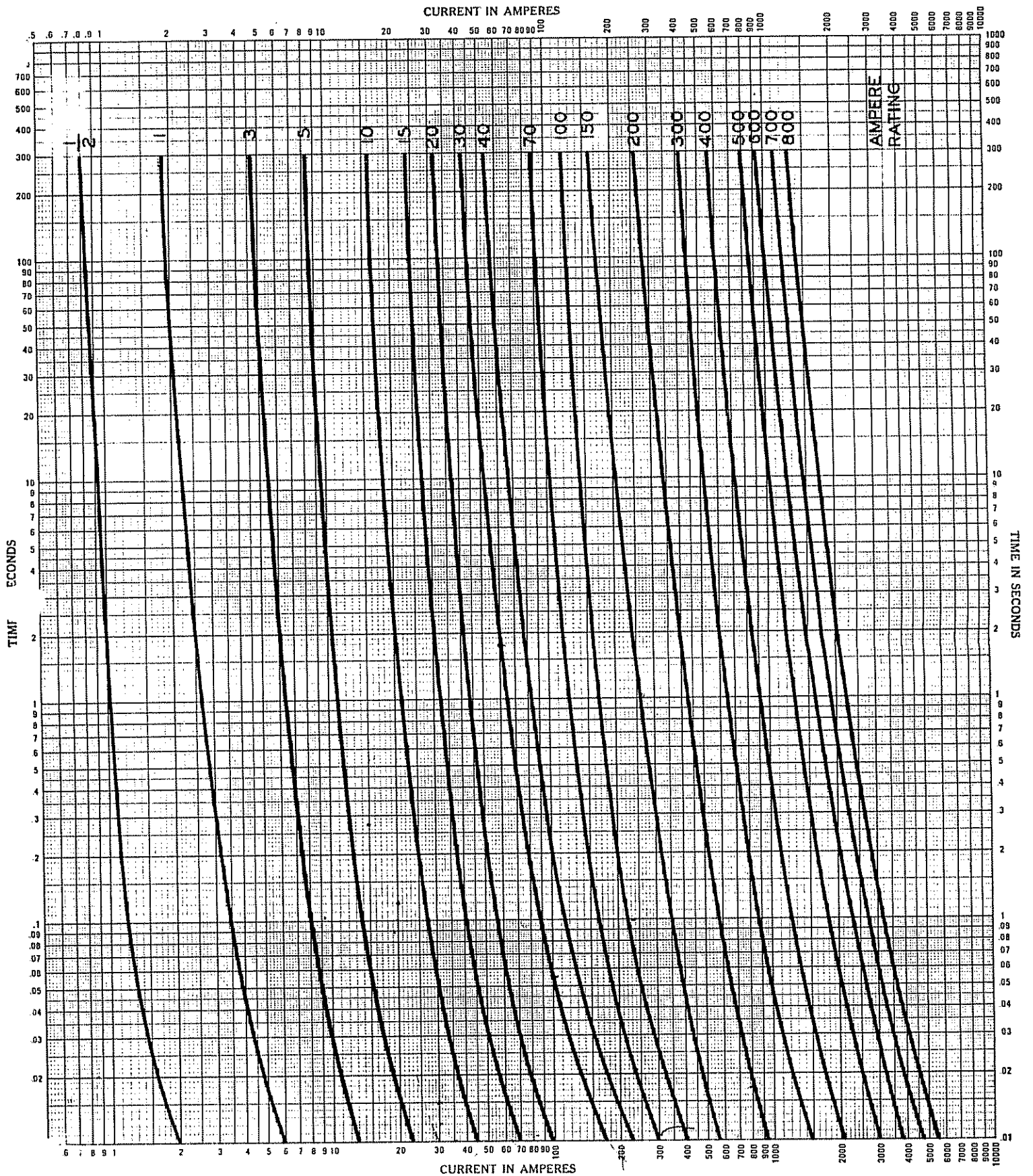


DESIGNED TO:

CARRY 100% OF RATING INDEFINITELY.

OPEN AT 120% AND 180% OF RATING WITHIN 1,000 SECONDS.

OPEN AT 250% OF RATING WITHIN 1 SECOND.



For **KAX TRON** TOTAL CLEARING TIME-CURRENT CHARACTERISTIC CURVES **BUSSMANN MFG. DIVISION**
 McGray Edison Co. St. Louis, Mo. 63107

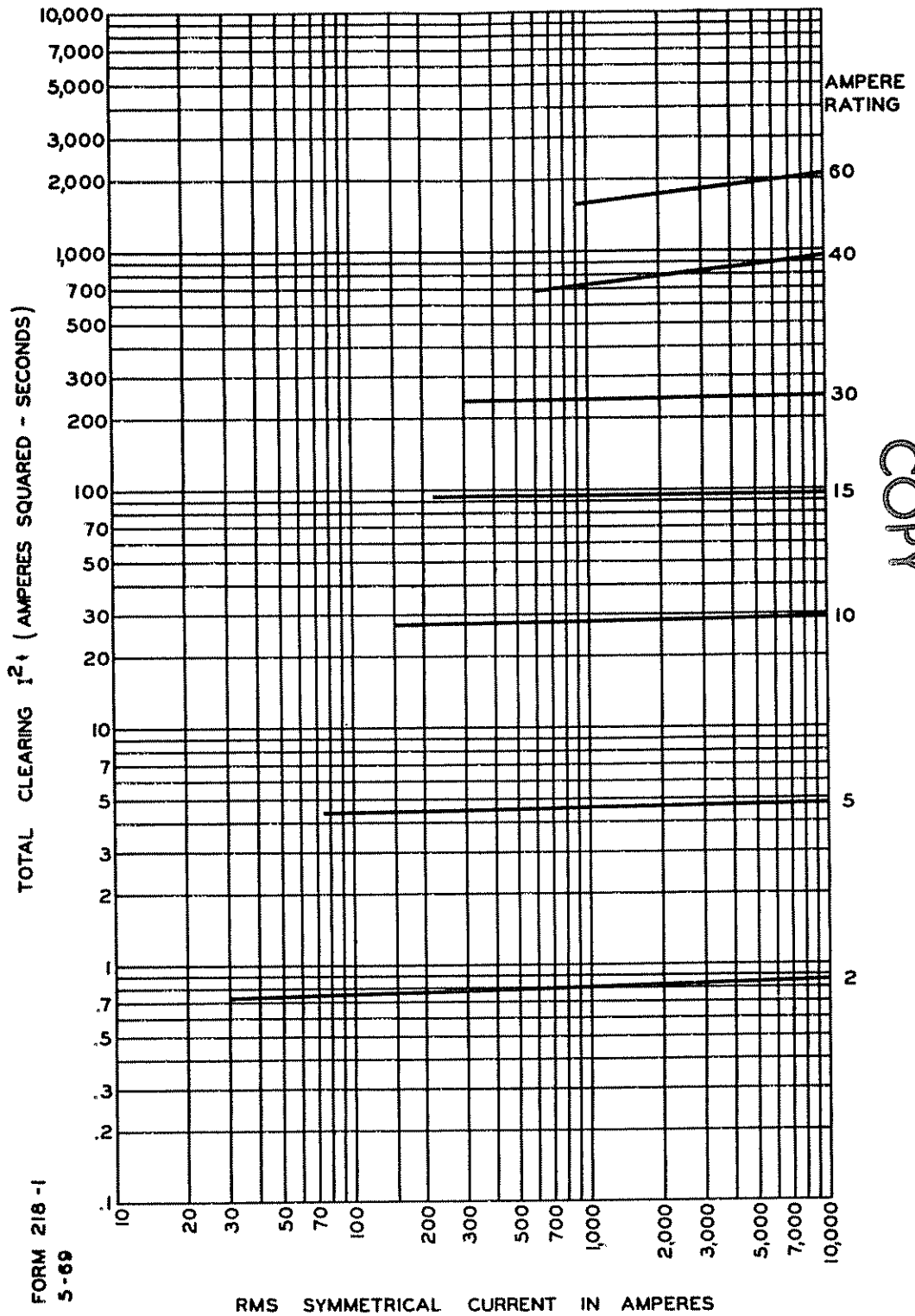
BASIS FOR DATA Standards Dated

1. Tests made at Volts a-c at p.f. Starting at 25C with no initial load

2. Curves are plotted to Test points so variations should be

No. **50685**
 Date **8-16-75**

Type Fuse: KAX
 Test Voltage: 250 RMS
 Frequency: 60 Hz
 Power Factor: Between 40% - 60%
 Arcing Angle: Within 30° prior
 to normal frequency
 peak voltage



UNCONTROLLED COPY

FORM 218 -1
5-69

Total Clearing Ampere Squared Seconds
 vs.
 Available Fault Current