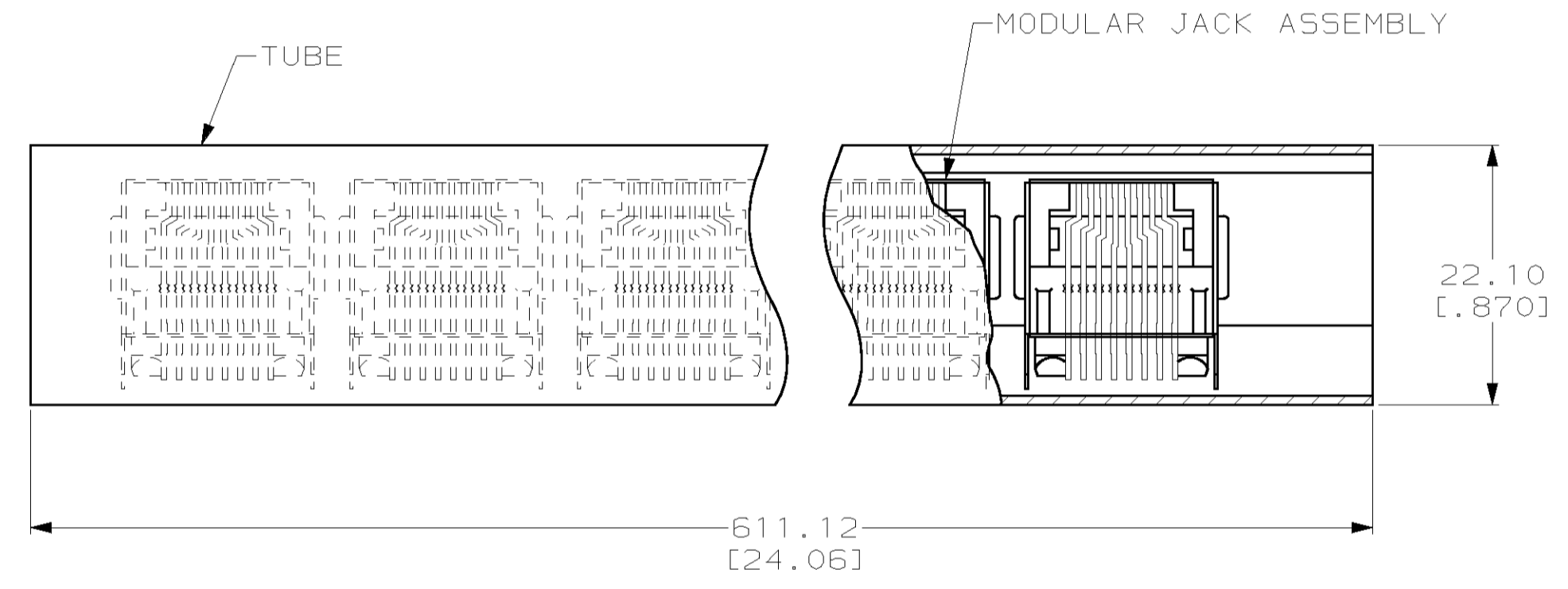
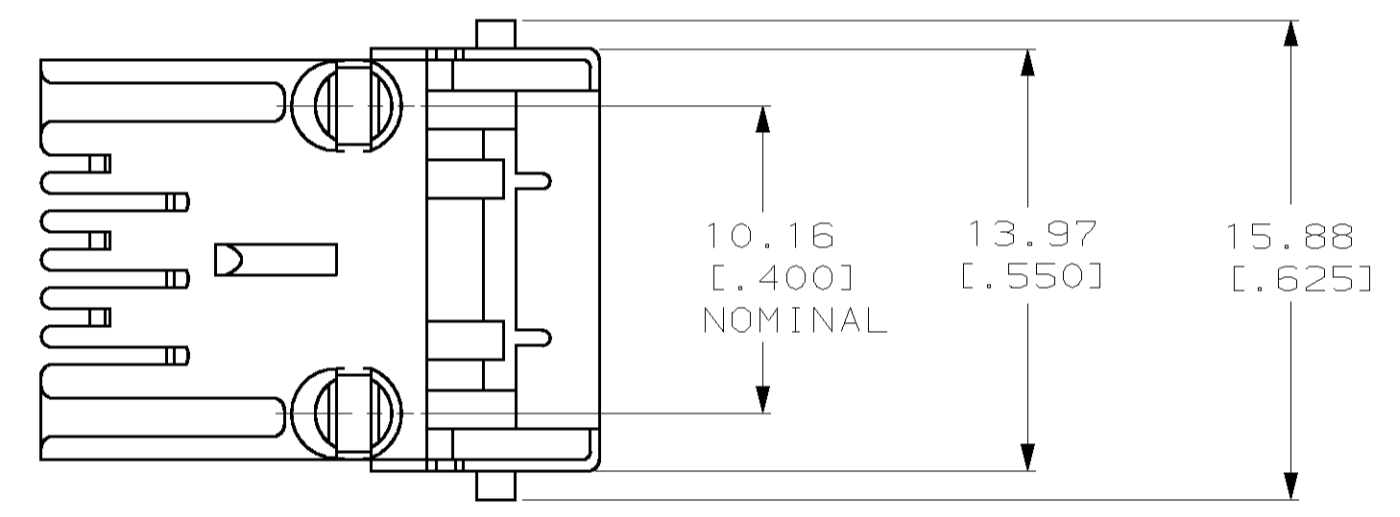
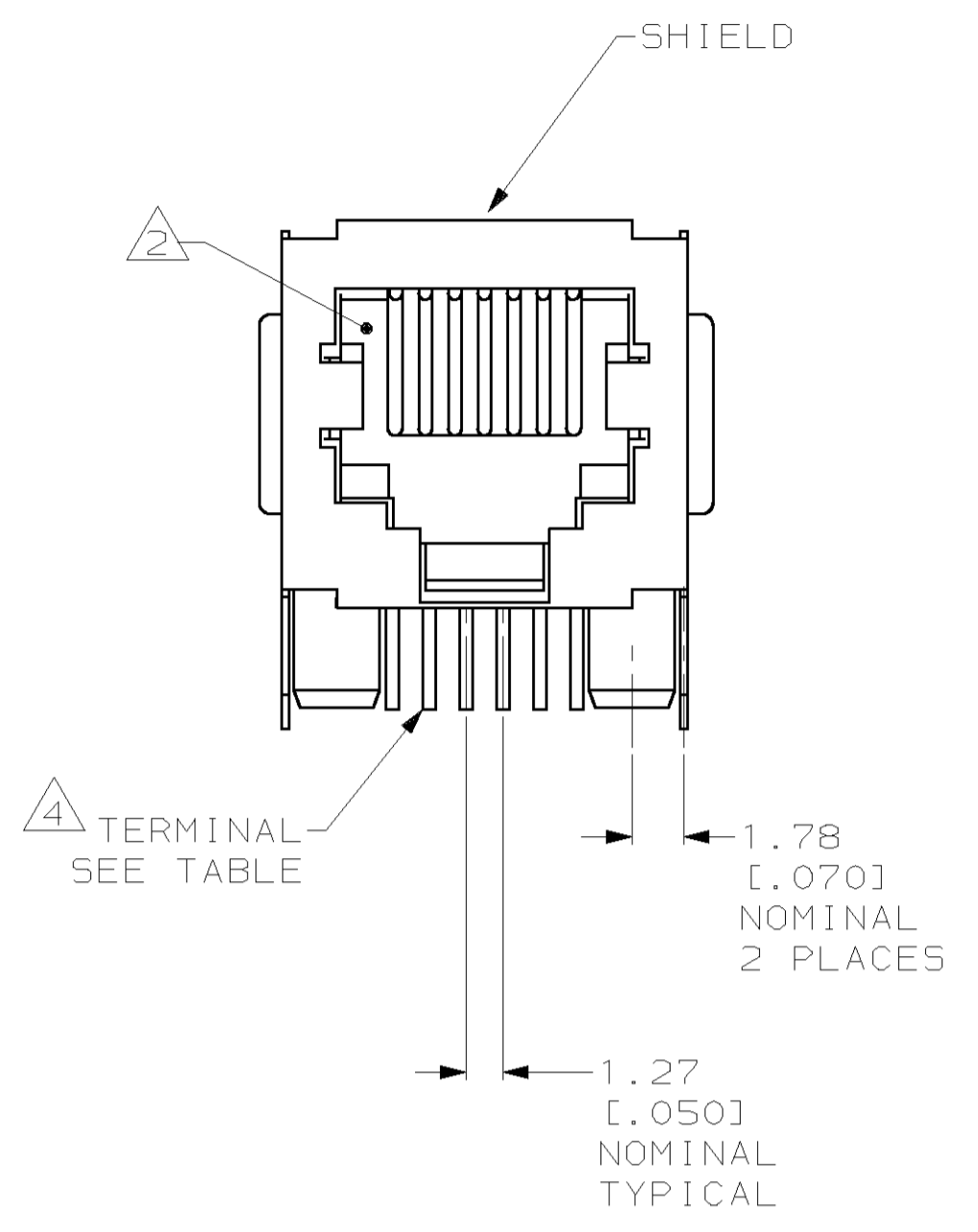
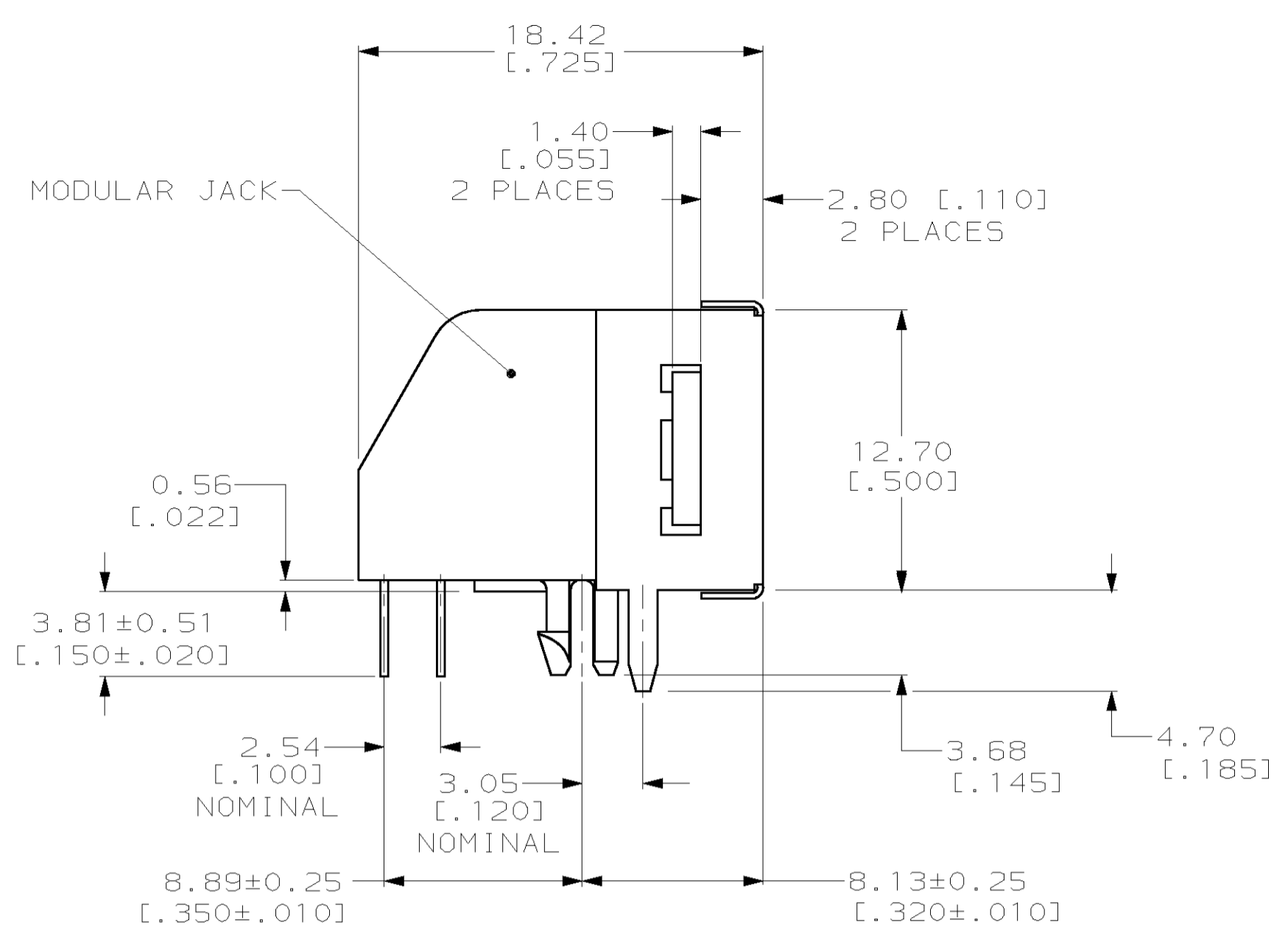
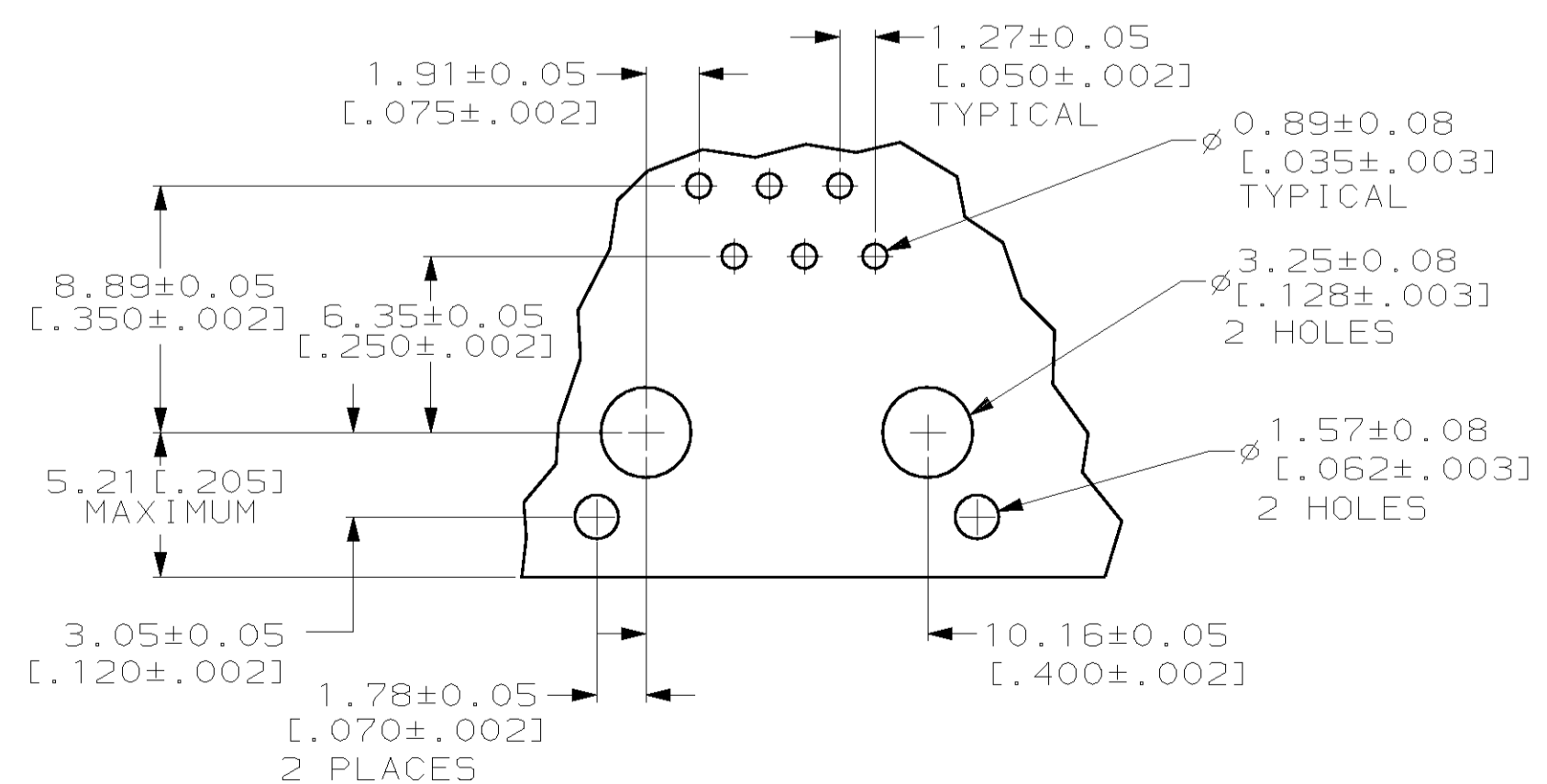


LOC	DIST	REV	DATE	BY	APPV
AA	22	F			
G			26FEB01	DLD	CMB

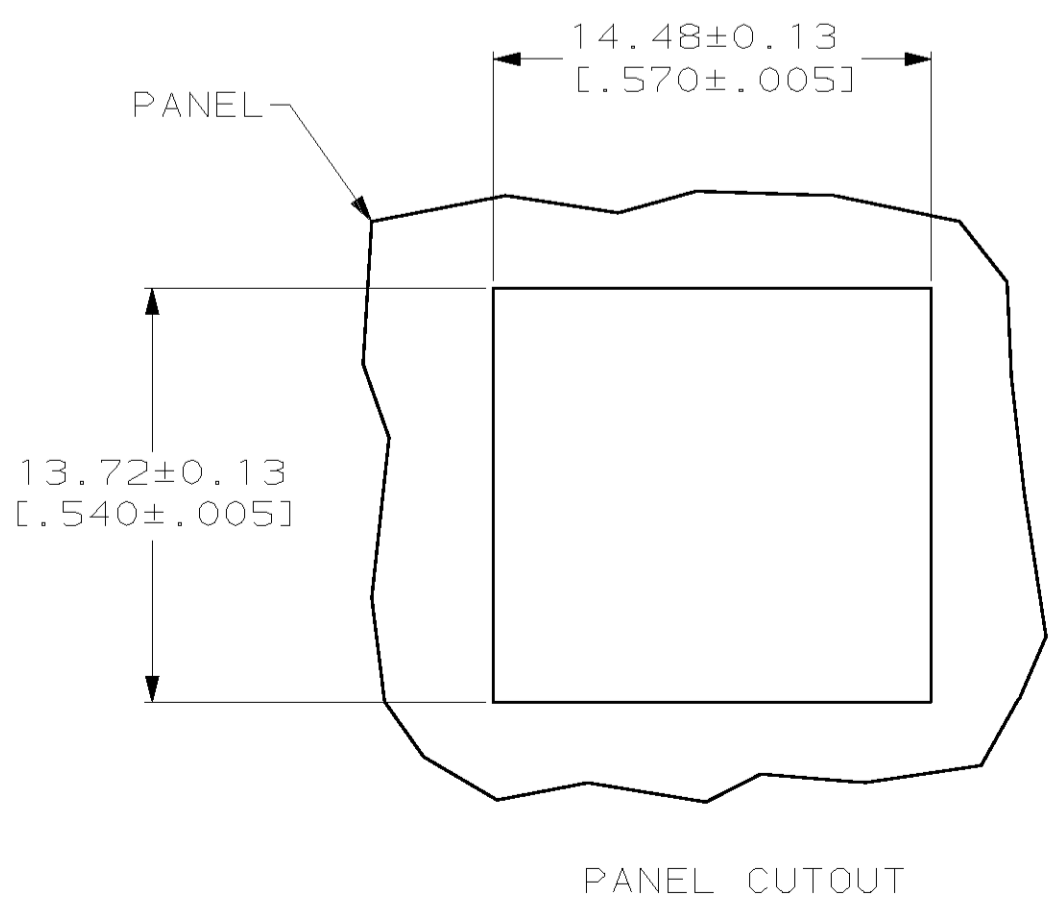
- REVISIONS
- 1. MATERIAL: HOUSING-PBT POLYESTER, BLACK. TERMINAL-.0138 THICK PHOS-BRONZE PLATED WITH .000050 THICK HARD GOLD IN LOCALIZED GOLD PLATE AREA AND .000080 THICK TIN LEAD IN SOLDER AREA OVER .000050 THICK NICKEL UNDERPLATE SHIELD-.010 THICK COPPER ALLOY, TIN-LEAD PLATED.
 - 2. CAVITY CONFORMS TO FCC RULES AND REGULATIONS PART 68, SUBPART F.
 - 3. ALL DIMENSIONS SHOWN ARE MAXIMUM UNLESS OTHERWISE SPECIFIED.
 - 4. TERMINALS FOR 555154-2 LOCATED IN CENTER POSITIONS.
 - 5. BULK PACKAGED IN TRAYS.
 - 6. PACKAGED 36 ASSEMBLIES PER TUBE. SEE DETAIL "A".



DETAIL A
SCALE 2:1



SUGGESTED PRINTED CIRCUIT BOARD MOUNTING HOLE LAYOUT VIEW SHOWN AS COMPONENT SIDE OF BOARD



PANEL CUTOUT

PACKAGE	TERMINALS REQUIRED	PART NUMBER
6	6	555154-4
4	4	555154-2
6	6	555154-1

THIS DRAWING IS A CONTROLLED DOCUMENT.

DWG: S. GARRETT 7-13-95	CHK: N. JONES 8-25-95	APPV: J. TONEY 9-01-95	DATE: 7-13-95
DIMENSIONS: mm [INCHES]		TOLERANCES UNLESS OTHERWISE SPECIFIED:	
0 PLC	±	1 PLC	±
2 PLC	±	3 PLC	±
4 PLC	±	ANGLES	±
MATERIAL		FINISH	

AMP Incorporated
Harrisburg, PA 17105-3608

NAME: MODULAR JACK ASSEMBLY, SHIELDED, 6 POSITION, LOW PROFILE, RIGHT ANGLE, PRINTED CIRCUIT BOARD GROUND WITH PANEL STOPS

PRODUCT SPEC: 108-1163

APPLICATION SPEC: 114-2048

SIZE: A1 00779

SCALE: 4:1

SHEET 1 OF 1

REV G