

4

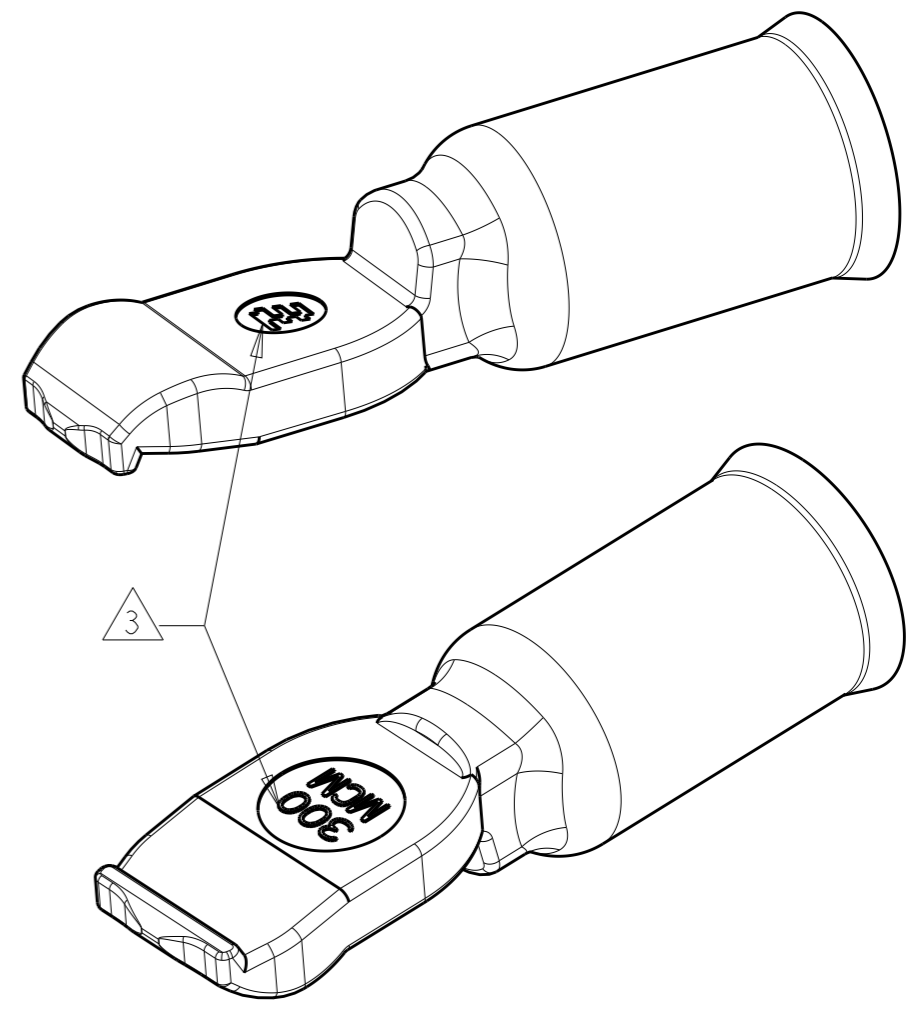
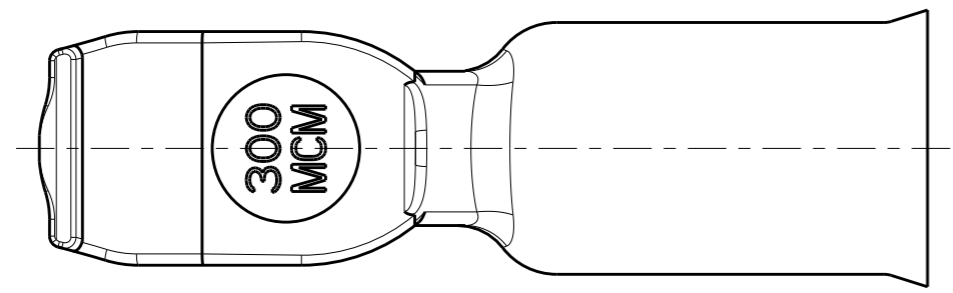
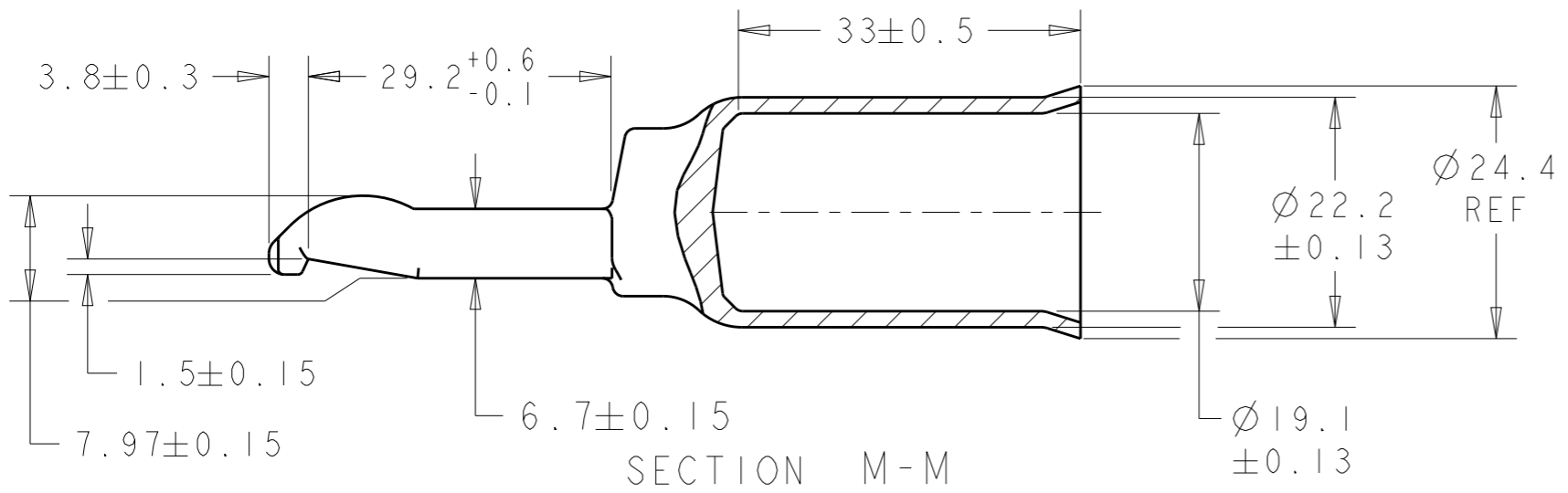
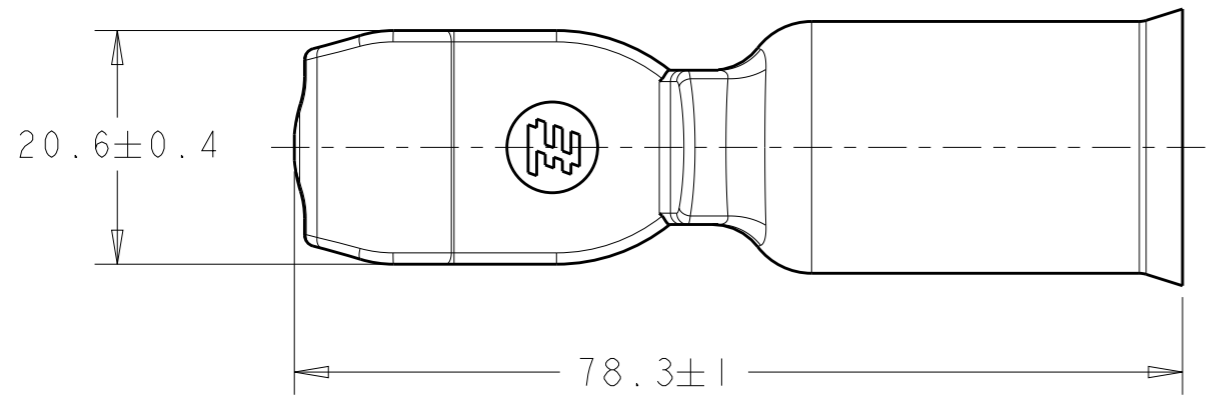
3

2

1

THIS DRAWING IS UNPUBLISHED. RELEASED FOR PUBLICATION 20
 © COPYRIGHT 20 BY TYCO ELECTRONICS CORPORATION. ALL RIGHTS RESERVED.

LOC	DIST	REVISIONS				
P	LTR	DESCRIPTION	DATE	DWN	APVD	
CM	0					
	B	REVISED PER ECR 10-006756	01APR10	JR	SM	
	C	REVISED PER ECR-18-000415	19JAN2018	RS	SZ	



- 1. MATERIAL: COPPER ALLOY
- 2. FINISH: PLATED SILVER
- 3. STAMP MARK MAY BE ROTATED

1604051-1
 PART NUMBER

METRIC

<small>THIS DRAWING IS A CONTROLLED DOCUMENT FOR TYCO ELECTRONICS CORPORATION. IT IS SUBJECT TO CHANGE AND THE CONTROLLING ENGINEERING ORGANIZATION SHOULD BE CONTACTED FOR THE LATEST REVISION.</small>		DWN 09APR2002 Brent D. Yohn CHK 09APR2002 W.H. BERNHART APVD 09APR2002 W.H. BERNHART	tyco Electronics Tyco Electronics Harrisburg, PA 17105-3608
DIMENSIONS: mm 	TOLERANCES UNLESS OTHERWISE SPECIFIED: 0 PLC ± 1 PLC ±0.3 2 PLC ±0.13 3 PLC ±0.050 4 PLC ± ANGLES ±1°	PRODUCT SPEC - APPLICATION SPEC - WEIGHT -	NAME CONTACT, AMP POWER SERIES 350, 300 MCM WIRE SIZE A3 CAGE CODE 00779 DRAWING NO. C-1604051 RESTRICTED TO
MATERIAL -	FINISH -	CUSTOMER DRAWING	SCALE 3:2 SHEET 1 OF 1 REV C