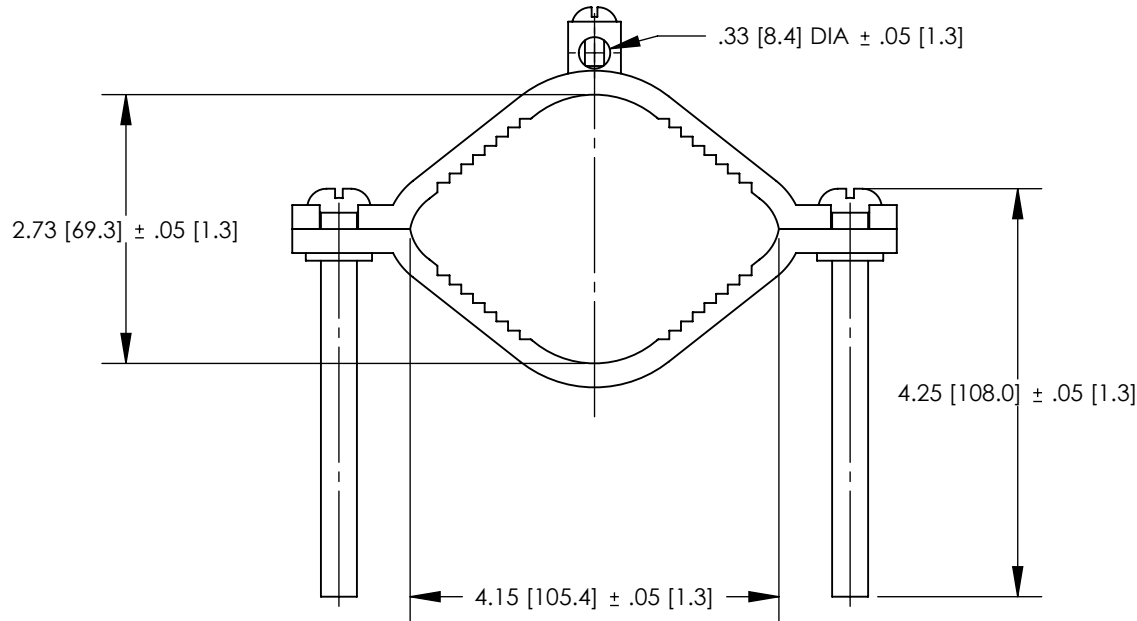
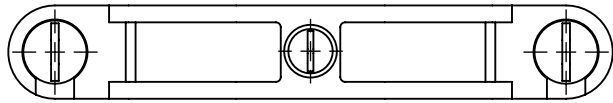


THIS COPY IS PROVIDED ON A RESTRICTED BASIS AND IS NOT TO BE USED IN ANY WAY DETRIMENTAL TO THE INTERESTS OF PANDUIT CORP.



NOTES:

- MATERIAL:
BODY - BRONZE (GUN METAL)
SCREW - STEEL, ZINC PLATED (GPC2-4)
PHOS. BRONZE (GPC2-4D)
- PARTS ARE cULus LISTED TO UL467 AS GROUNDING & BONDING EQUIPMENT.
- RATED FOR DIRECT BURIAL (GPC2-4D ONLY)
- SEE WWW.PANDUIT.COM FOR PART NUMBER SUFFIX DESIGNATION FOR PACKAGE SIZE.



GPC2-4D ONLY

FINISHED PART NUMBER	DESCRIPTION	WATER PIPE	GROUNDING WIRE
GPC2-4	GROUND CLAMP BARE WIRE	2-1/2" - 4"	10 - 2 STR
GPC2-4D	GROUND CLAMP BARE WIRE, DIRECT BURIAL	2-1/2" - 4"	10 - 2 STR

REV	DATE	BY	CHK	APR	DESCRIPTION	ECN
00	7/12	JHNU	SRBI	RGB	DRAWING RELEASED	10J018AF-JC

TITLE BRONZE GROUND PIPE CLAMP - 2-1/2"-4" (GPC2-4, GPC2-4D) CUSTOMER DRAWING	
ITEM REVISION NAME	10J018AF/00
DATASET FILE NAME	10J018AF-JC/00.SLDDRW
UNLESS OTHERWISE SPECIFIED, DIMENSIONAL TOLERANCES ARE: IN [mm] .X ± .XXX ± .XX ± ANGLES ±	
THIRD ANGLE PROJECTION	
DRAWN BY	JHNU
DATE	7/12
CHK	SRBI
SCALE	N/A
MATERIAL	SEE NOTES
DRAWING NUMBER	10J018AF-JC
SHEET 1 OF 1	SIZE A