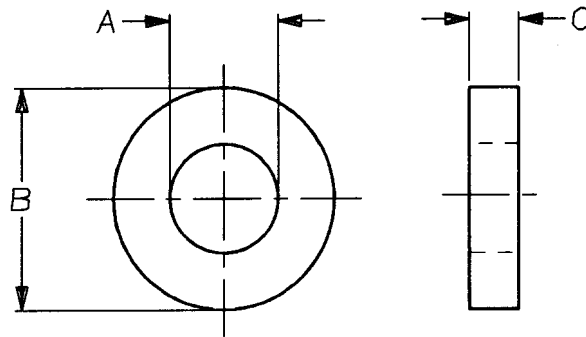


1. PART NUMBER AND CHARACTERISTICS



TE Part No	Rev	A	B	C	Mfr Part No
992256-1	A	.135	.562	.125	See Note 1.2.
992256-2	B	.134	.750	.125	See Note 1.2.

- 1.1. All dimensions are nominal unless otherwise specified
- 1.2. Manufacturer does not supply part numbers. Specify ID, OD and thickness
- 2. RECOMMENDED MANUFACTURER
 Boker's Inc.
www.bokers.com
 or Tyco Electronics Engineering approved equivalent.

COMMERCIAL ITEM SPECIFICATION		MATERIAL Acetal		Tyco Electronics				
		FINISH Natural						
© 2010 Tyco Electronics Corporation, Harrisburg, PA All International Rights Reserved			DIMENSIONS IN INCHES	NO	992256	REV	LOC	DIST
		SHEET 1 OF 1		TITLE WASHER, FLAT				
B	Add -2	JNB	04JAN10					
REV	ENGINEERING CHANGE	CHK	DATE					