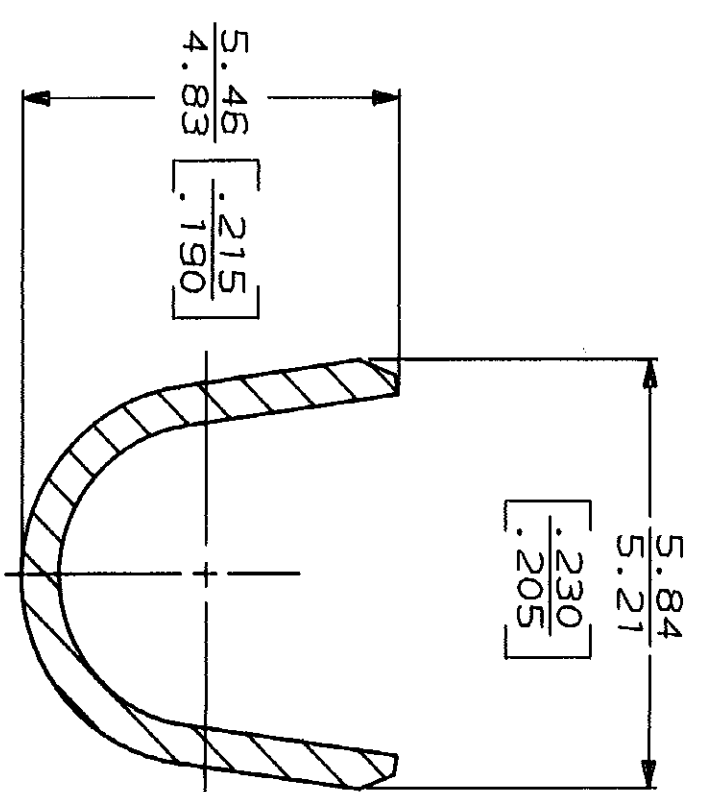
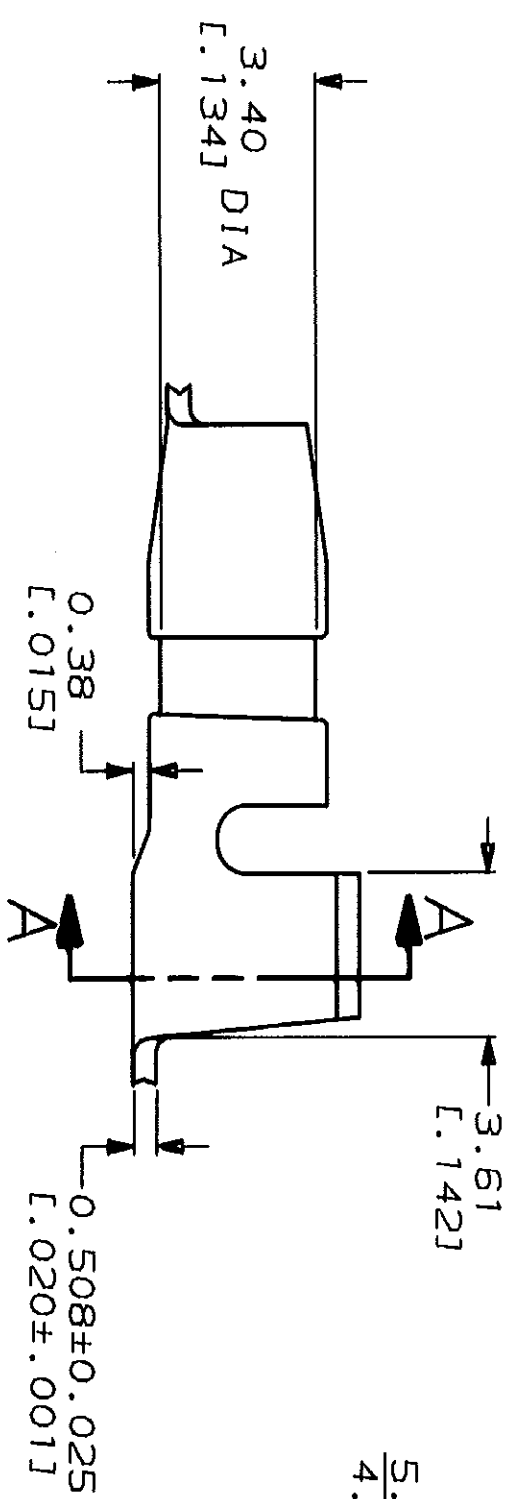
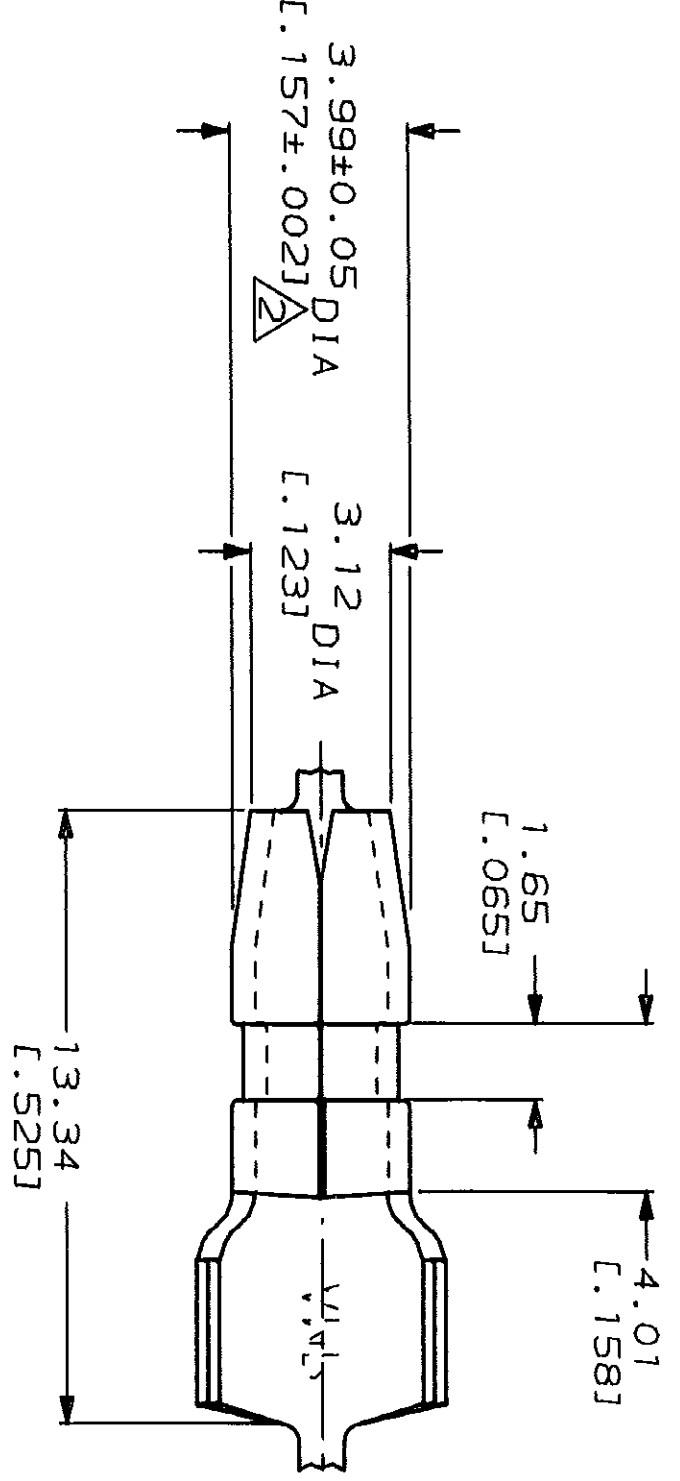


THIS DRAWING IS UNPUBLISHED. RELEASED FOR PUBLICATION  
BY AMP INCORPORATED. ALL INTERNATIONAL RIGHTS RESERVED.

LOC	DIST	P	F	ZONE	LTR	REVISIONS	DATE	APPO
AF	50				A	REDRAWN PER AF-6810	7/24/90	PF/JR



- 1 CONTINUOUS STRIP ON REELS
- 2 TO BE HELD AFTER CRIMPING

3.18-4.06 DIA [L.125-.160]	0.8mm <sup>2</sup> -2.0mm <sup>2</sup> [18-14] AWG	41698
----------------------------	--	-------

INSULATION RANGE WIRE RANGE PART NO

DO NOT SCALE PRINT. UNLESS SPECIFIED DIMENSIONS IN INCHES! TOLERANCES ON: 2 PLC DEC ± 0.38 [L.015] 3 PLC DEC ± . . . ANGLES ± . . .	DR 7/23/90 P FORNEY CHK 7/23/90 JR RUTH APPD 7/23/90 S VETTER APPD 7/23/90 R KUD0 PRODUCT SPEC	AMP Incorporated Harrisburg, PA 17105-3608
MATERIAL: #2 HARD BRASS	NAME: SHUR PLUG, 3.98 [L.156] DIA	
FINISH: 0.03302 [L.000130] MAX PRE-TIN PER MIL-T-10727	SIZE: B CAGE CODE: 00779 DRAWING NO: 41698	

