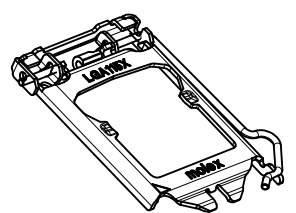
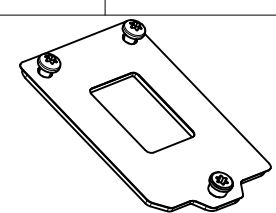


ILM	
PART NO. ②	(1)475968811 (STAINLESS STEEL) (2)475968855(SUS430)
	
BACK PLATE	
PART NO. ③	(1)475968830 (2)475968830
	

BILL OF MATERIAL		
ITEM NO	QTY	DESCRIPTION
	1	TOP ASSY
①	1	115X ILM AND BACK PLATE ASSY
②	1	115X ILM (WITHOUT COVER) ASSEMBLY
③	1	115X BACK PLATE ASSY W/SCREWS

NOTES
 1.PARTS ARE HALOGEN FREE.
 2.PARTS ARE COMPLIANT TO RoHS DIRECTIVE 2002/95/EC AND ELV 2000/53/EC.

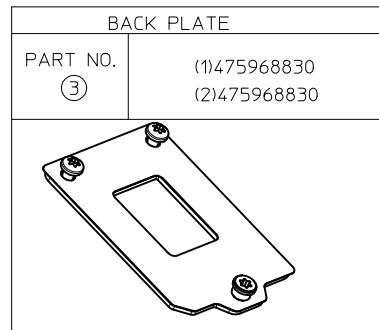
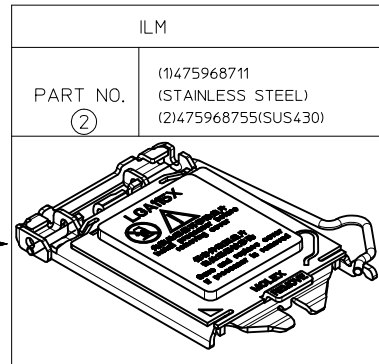
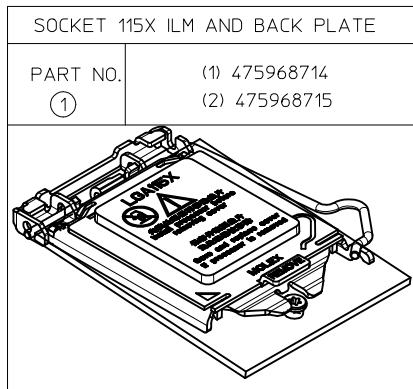
47596-8815	SUS430	WITHOUT ILM COVER
47596-8814	STAINLESS STEEL	
PART NO.	MATERIAL	DESCRIPTION

ENTER DESCRIPTION
 EC NO: SH2012-0210
 DRWN: ZHANG11
 CHKD:
 APPR: AYIN
 2012/01/05
 2012/02/02

QUALITY SYMBOLS $F_A=0$ $F_C=0$ $F_B=0$	4 PLACES	± ---	± ---
	3 PLACES	± ---	± ---
	2 PLACES	± 0.15	± ---
	1 PLACE	± 0.25	± ---
ANGULAR ±1/2°			
DRAFT WHERE APPLICABLE MUST REMAIN WITHIN DIMENSIONS			

DIMENSION STYLE IN/MM		SCALE 1:1.5	DESIGN UNITS INCH	THIRD ANGLE PROJECTION
DRAWN BY YOSUN	DATE 2008/11/25	TITLE 115X ILM AND BACK PLATE ASSEMBLY		
CHECKED BY	DATE	APPROVED BY AYIN		
APPROVED BY AYIN		DATE 2010/12/10	MATERIAL NO. SEE TABLE	
MATERIAL NO.		DOCUMENT NO. SD-47596-105	SHEET NO. 1 OF 2	

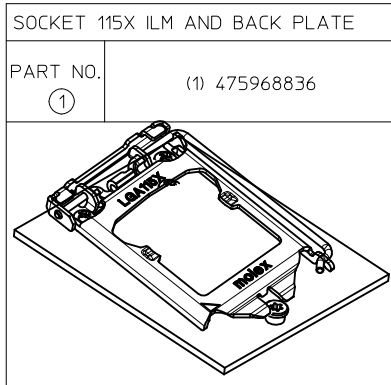
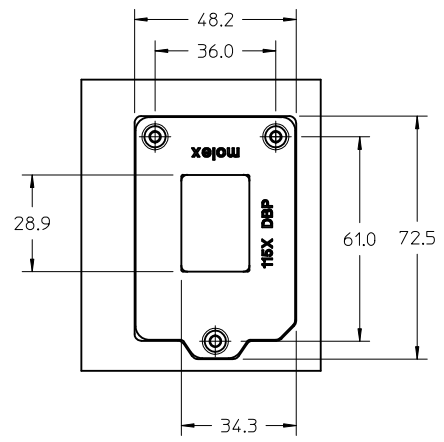
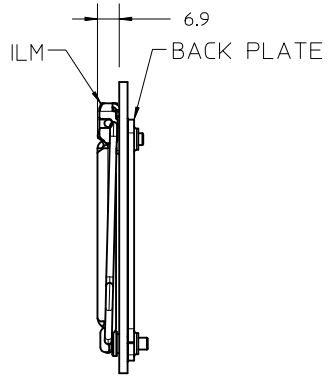
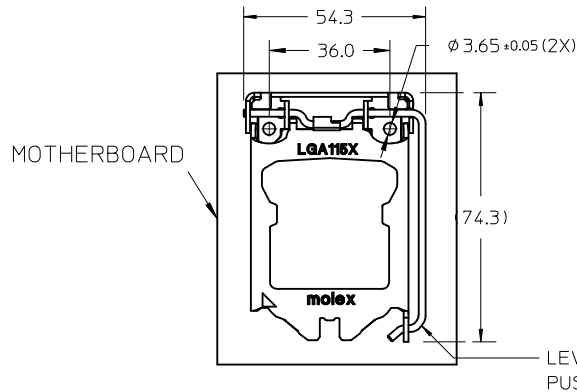
MOLEX INCORPORATED
 THIS DRAWING CONTAINS INFORMATION THAT IS PROPRIETARY TO MOLEX INCORPORATED AND SHOULD NOT BE USED WITHOUT WRITTEN PERMISSION



BILL OF MATERIAL		
ITEM NO	QTY	DESCRIPTION
	1	TOP ASSY
①	1	115X ILM AND BACK PLATE ASSY
②	1	115X ILM (WITH COVER) ASSEMBLY
③	1	115X BACK PLATE ASSY W/SCREWS

47596-8715	SUS430	WITH ILM COVER
47596-8714	STAINLESS STEEL	
PART NO.	MATERIAL	DESCRIPTION

ENTER DESCRIPTION EC NO: SH2012-0210 DRWN: ZHANG11 2012/01/05 CHKD: APPR: AYIN 2012/02/02	QUALITY SYMBOLS $F_A=0$ $F_G=0$ $F_P=0$	GENERAL TOLERANCES (UNLESS SPECIFIED) <table border="1"> <tr> <td></td> <td>mm</td> <td>INCH</td> </tr> <tr> <td>4 PLACES</td> <td>± ---</td> <td>± ---</td> </tr> <tr> <td>3 PLACES</td> <td>± ---</td> <td>± ---</td> </tr> <tr> <td>2 PLACES</td> <td>± 0.15</td> <td>± ---</td> </tr> <tr> <td>1 PLACE</td> <td>± 0.25</td> <td>± ---</td> </tr> <tr> <td colspan="3">ANGULAR ± 1/2°</td> </tr> </table>		mm	INCH	4 PLACES	± ---	± ---	3 PLACES	± ---	± ---	2 PLACES	± 0.15	± ---	1 PLACE	± 0.25	± ---	ANGULAR ± 1/2°			DIMENSION STYLE IN/MM	SCALE 1:1	DESIGN UNITS INCH	THIRD ANGLE PROJECTION
		mm	INCH																					
	4 PLACES	± ---	± ---																					
	3 PLACES	± ---	± ---																					
2 PLACES	± 0.15	± ---																						
1 PLACE	± 0.25	± ---																						
ANGULAR ± 1/2°																								
DRAWN BY YQSUN	DATE 2008/11/25	TITLE 115X ILM AND BACK PLATE ASSEMBLY																						
APPROVED BY AYIN	DATE 2010/12/10	MOLEX INCORPORATED																						
MATERIAL NO. SEE TABLE		DOCUMENT NO. SD-47596-105	SHEET NO. 2 OF 2																					



ILM	
PART NO.	(1)475968841
②	

BACK PLATE	
PART NO.	(1)475968830
③	

BILL OF MATERIAL		
ITEM NO	QTY	DESCRIPTION
	1	TOP ASSY
①	1	SOCKET ILM AND BACK PLATE ASSY
②	1	SOCKET ILM(WITHOUT COVER) ASSEMBLY
③	1	SOCKET 115X BACK PLATE ASSY W/SCREWS

NOTES
 1.PARTS ARE HALOGEN FREE.
 2.PARTS ARE COMPLIANT TO RoHS DIRECTIVE 2002/95/EC AND ELV 2000/53/EC.

47596-8836	WITHOUT ILM COVER
PART NO.	DESCRIPTION

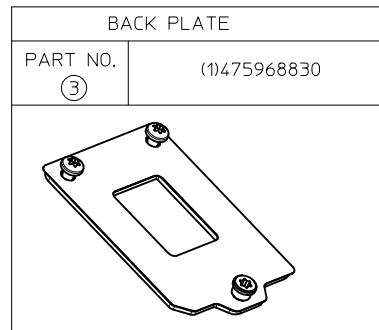
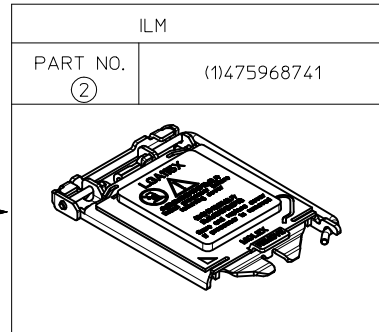
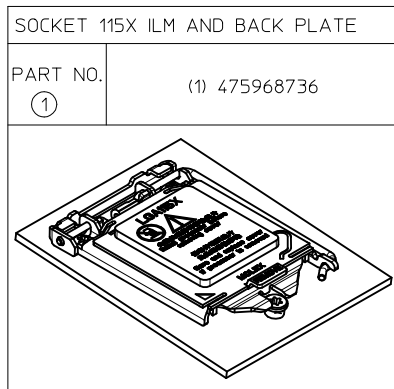
ENTER DESCRIPTION	2012/01/05
EC NO: SH2012-0210	2012/01/05
DRWN: ZHANG11	2012/02/02
CHKD:	
APPR: AYIN	
REV	

QUALITY SYMBOLS
$F_A=0$
$F_C=0$
$F_B=0$

GENERAL TOLERANCES (UNLESS SPECIFIED)	
	mm
4 PLACES	± ---
3 PLACES	± ---
2 PLACES	± 0.15
1 PLACE	± 0.25
ANGULAR ±1/2°	
DRAFT WHERE APPLICABLE MUST REMAIN WITHIN DIMENSIONS	

DIMENSION STYLE	
IN/MM	
DRAWN BY	DATE
YOSUN	2008/11/25
CHECKED BY	DATE
APPROVED BY	DATE
AYIN	2011/04/27
MATERIAL NO.	
SEE TABLE	

SCALE	1:1.5
DESIGN UNITS	INCH
THIRD ANGLE PROJECTION	
TITLE	
SOCKET 115X ILM AND ILM AND ABACK PLATE ASSEMBLY	
MOLEX INCORPORATED	
MATERIAL NO.	DOCUMENT NO.
	SD-47596-936
SHEET NO.	1 OF 2



BILL OF MATERIAL		
ITEM NO	QTY	DESCRIPTION
	1	TOP ASSY
①	1	SOCKET ILM AND BACK PLATE ASSY
②	1	SOCKET ILM (WITH COVER) ASSEMBLY
③	1	SOCKET 115X BACK PLATE ASSY W/SCREWS

47596-8736	WITH ILM COVER
PART NO.	DESCRIPTION

ENTER DESCRIPTION EC NO: SH2012-0210 DRWN: ZHANG11 CHKD: APPR: AYIN 2012/01/05 2012/02/02	DESCRIPTION REV A	QUALITY SYMBOLS	GENERAL TOLERANCES (UNLESS SPECIFIED)	DIMENSION STYLE	SCALE	DESIGN UNITS	THIRD ANGLE PROJECTION	
		$F_A=0$ $F_G=0$ $F_P=0$	(UNLESS SPECIFIED) mm INCH	IN/MM	1:1	INCH	DRAWN BY: YQSUN DATE: 2008/11/25 CHECKED BY: DATE:	TITLE
		4 PLACES ± --- ± --- 3 PLACES ± --- ± --- 2 PLACES ± 0.15 ± --- 1 PLACE ± 0.25 ± --- ANGULAR ± 1/2°	DRAFT WHERE APPLICABLE MUST REMAIN WITHIN DIMENSIONS	APPROVED BY: AYIN DATE: 2011/04/27	MOLEX MOLEX INCORPORATED	SOCKET 115X ILM AND ILM AND ABACK PLATE ASSEMBLY		
		SIZE: A3 THIS DRAWING CONTAINS INFORMATION THAT IS PROPRIETARY TO MOLEX INCORPORATED AND SHOULD NOT BE USED WITHOUT WRITTEN PERMISSION	SEE TABLE	MATERIAL NO. SD-47596-936	DOCUMENT NO. SHEET NO. 2 OF 2			