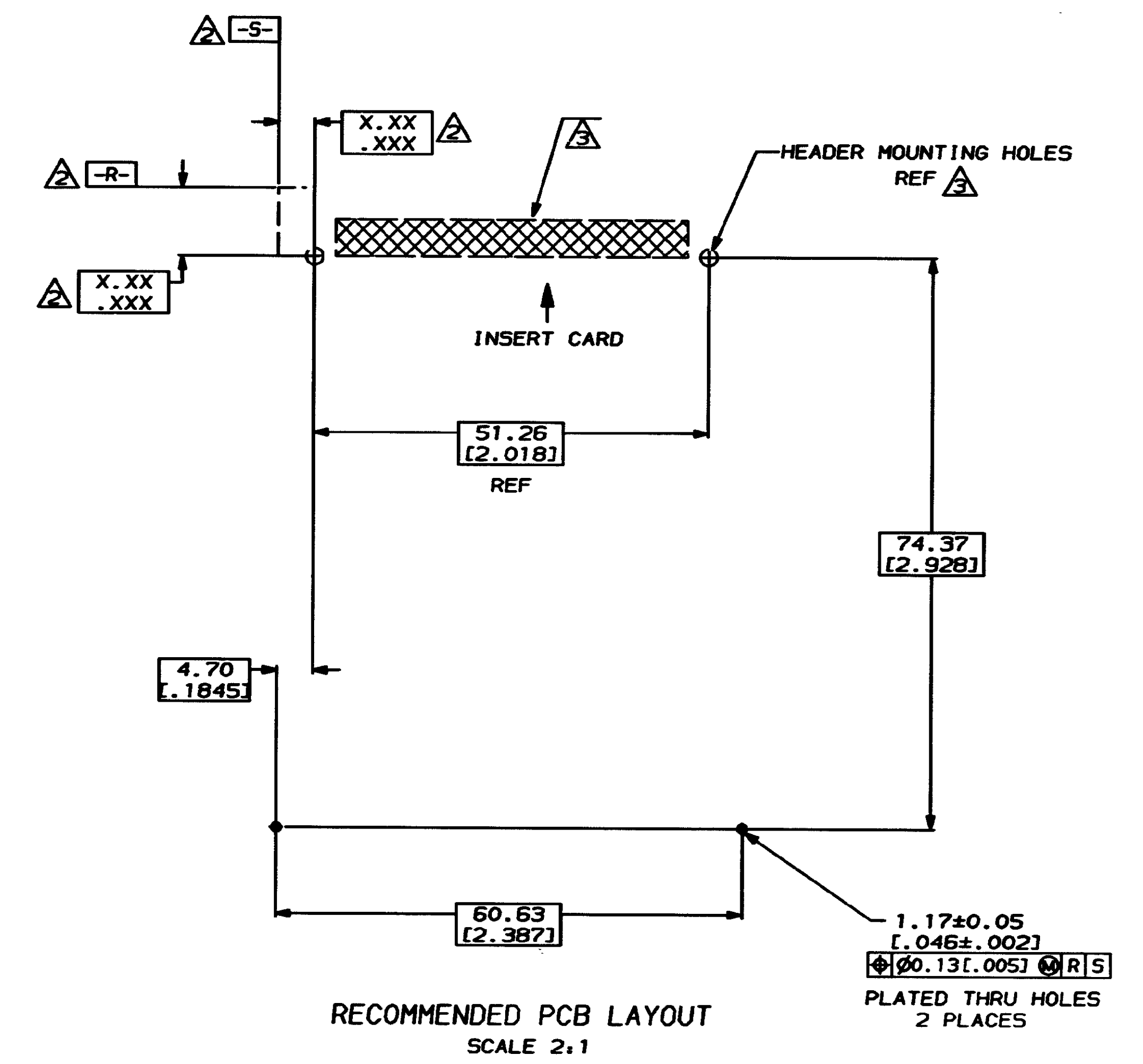
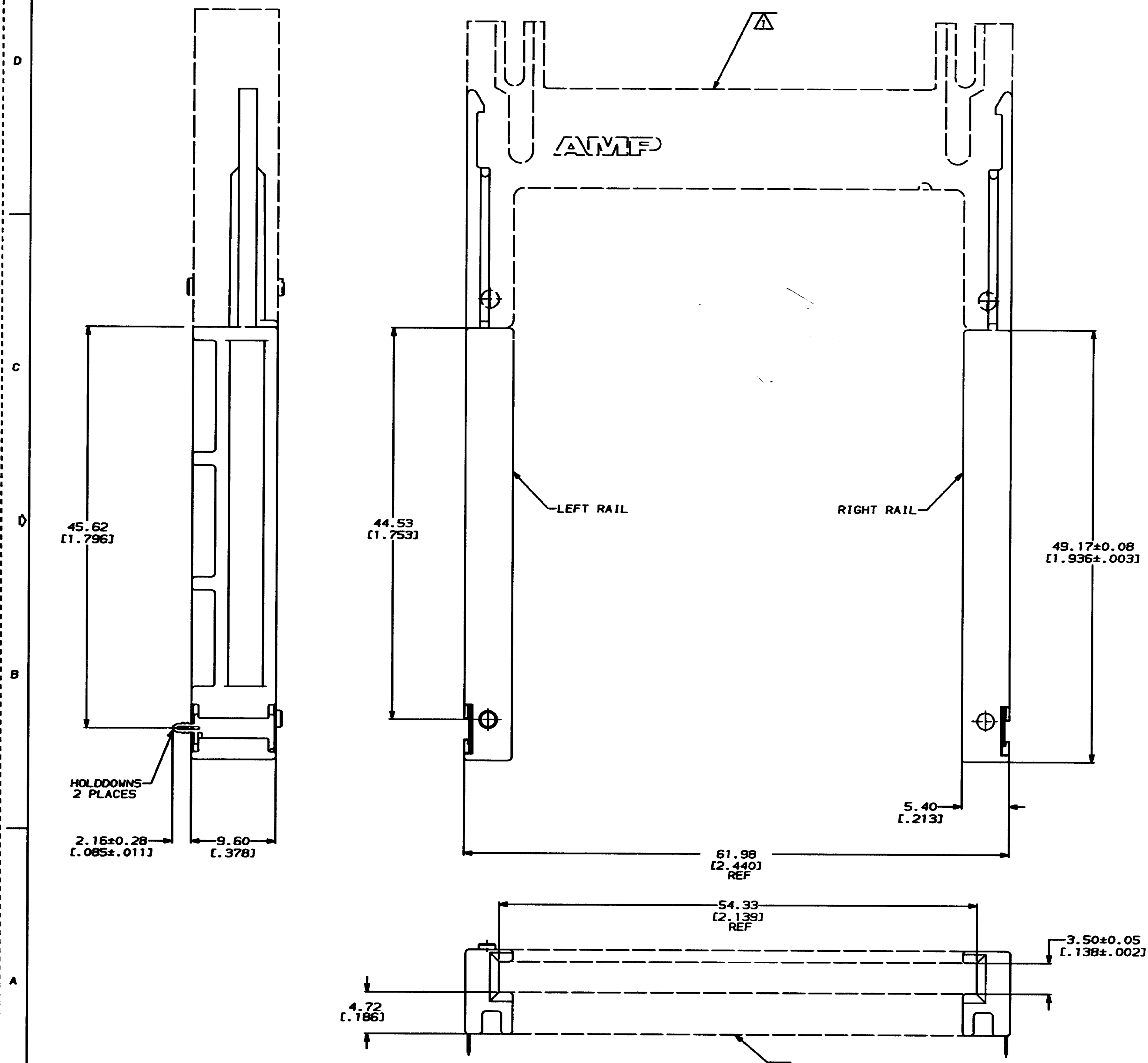


LIC		REV		REV		REV		REV		REV	
AD	39	P	F	ZONE	LTR	DESCRIPTION	DATE	APPD	DATE	APPD	
						RELEASED PER PPR	3/8/93	BE			

- ⚠ SMT OR THRU-HOLE HEADER ASSY NOT SUPPLIED AND MUST BE ORDERED SEPARATELY. CONTACT AMP INCORPORATED FOR HEADER PART NUMBER
- ⚠ DATUMS AND BASIC DIMENSIONS ESTABLISHED BY CUSTOMER
- ⚠ FOR HEADER PC BOARD LAYOUT SEE APPROPRIATE HEADER ASSEMBLY



DESCRIPTION	PART NO
RIGHT GUIDE RAIL WITH HOLDDOWN	535661-2
LEFT GUIDE RAIL WITH HOLDDOWN	535661-1

DO NOT SCALE PRINT. UNLESS SPECIFIED DIMENSIONS IN mm (INCHES) TOLERANCES ON: 2 PLC DEC ±0.13 [.005] 3 PLC DEC ± - ANGLES ± -		DR 3/8/93 J ROSE	AMP AMP Incorporated Harrisburg, PA 17105-3608	
RAIL: LCP - COLOR: BLACK HOLD DOWNS: PHOSPHOR BRONZE	APPD 3/8/93 B ELICKER	APPD 3/8/93 B ELICKER	NAME	
FINISH HOLD DOWNS: TIN	APPD 3/8/93 B FLINCHBAUGH	PRODUCT SPEC	GUIDE RAILS, RAISED, EXTENDED, WITH THRU-HOLE HOLDDOWNS, AMP MEMORY CARD	
WEIGHT 2.6 GRAMS	APPLICATION SPEC	SIZE D	CASE CODE 00779	DRAWING NO C-535661
		SCALE 4:1	SHEET 1 OF 1	

THIS DRAWING IS A CONTROLLED DOCUMENT FOR AMP INCORPORATED. IT IS SUBJECT TO CHANGE AND THE CONTROLLING ENGINEERING ORGANIZATION SHOULD BE CONTACTED FOR THE LATEST REVISION.