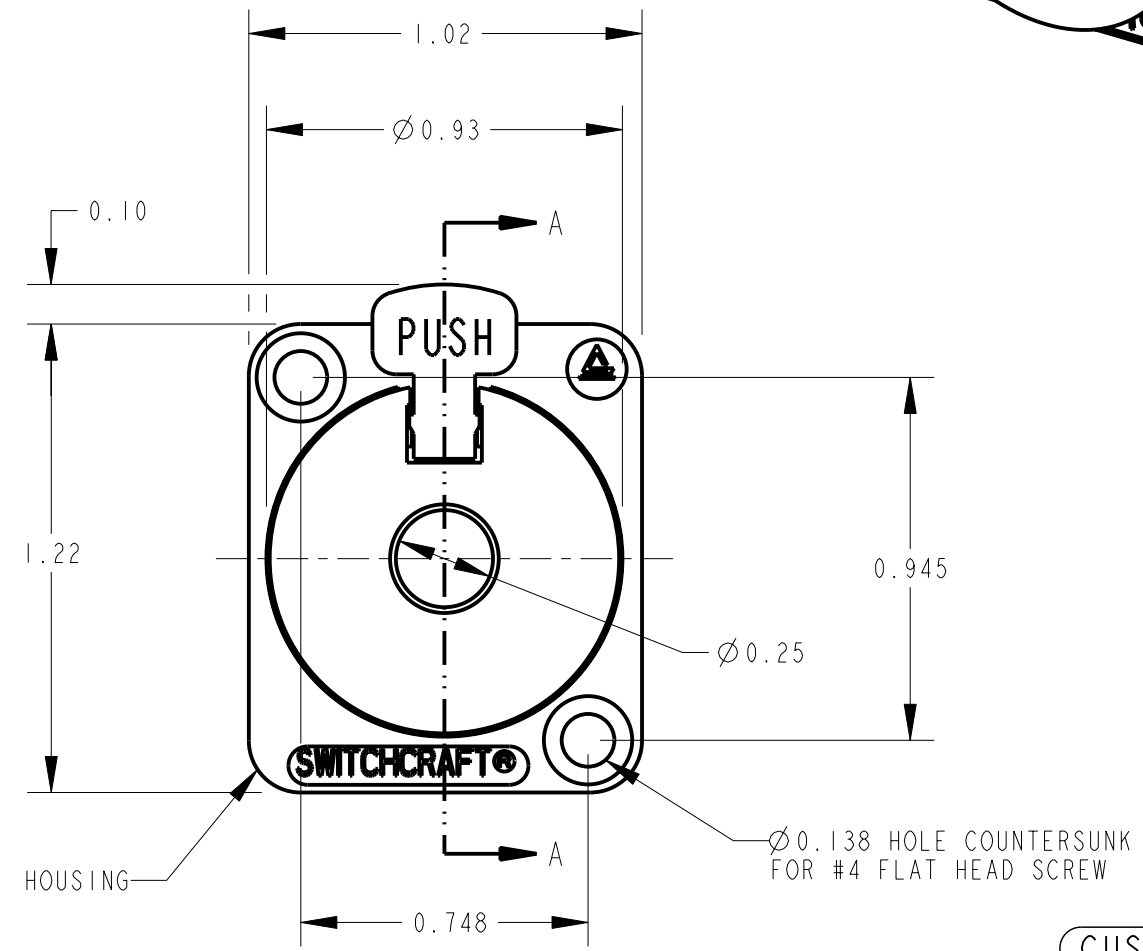
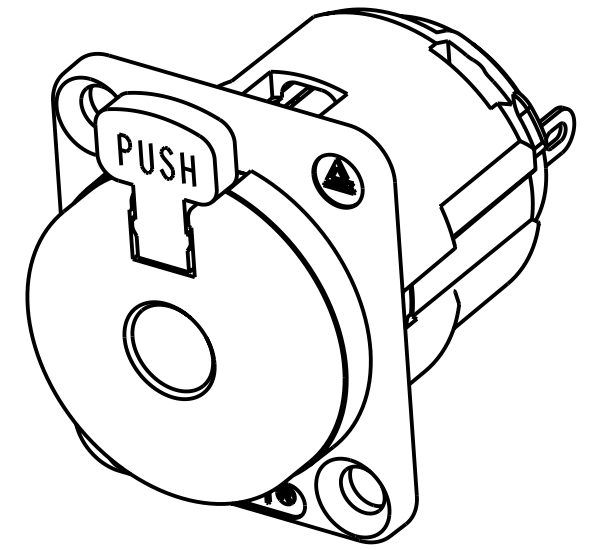


SECTION A-A



CUSTOMER DRAWING

NOTES:

- MATES WITH SWITCHCRAFT PART NO. 250 PLUG.
- MOUNTING HOLE:  $\varnothing 0.938$
- MATERIALS:  
 HOUSING: ZINC ALLOY, SATIN NICKEL PLATED  
 PLUG HOUSING: THERMOPLASTIC, BLACK  
 LATCH: THERMOPLASTIC, RED  
 LATCH RELEASE: ZINC ALLOY, NICKEL PLATED  
 SLEEVE & TIP SPRINGS: NICKEL SILVER, ELECTRO-TIN PLATED  
 TORSION & RETURN SPRINGS: MUSIC WIRE, TINNED
- THIS PRODUCT IS RoHS COMPLIANT.

REV	ECO NUMBER	DATE	BY	APVD
B	18079	3-5-93	TJK	TJK
REVISIONS				

★ STAR SYMBOL DENOTES CRITICAL DIMENSION

UNLESS OTHERWISE SPECIFIED

- ALL DIMENSIONS IN INCHES  
 - TWO PLACE DECIMALS  $\pm 0.01$   
 - THREE PLACE DECIMALS  $\pm 0.005$   
 - ANGLES  $\pm 1^\circ$   
 - ALL DIA. CONCENTRIC WITHIN 0.005 T.I.R.
- FEATURES ON THE SAME CENTERLINE MUST BE ALIGNED WITHIN  $\pm 0.002$
- REMOVE ALL BURRS

DO NOT SCALE DRAWING

THIS DRAWING DESCRIBES A DESIGN CONSIDERED PROPRIETARY IN NATURE, DEVELOPED AND MANUFACTURED BY SWITCHCRAFT INC. AND IS RELEASED ON A CONFIDENTIAL BASIS FOR IDENTIFICATION PURPOSES ONLY.									
SIZE	WIDTH	MULT	LBS/M	TEMPER					
FINISH					MATERIAL				
SPEC No.					SPEC No.				
FIRST USED ON					SCALE				
					2:1				
DATE DRAWN	BY	CHKD	APVD						
1/24/12	TJK	TJK	TJK						
		1/24/12	1/24/12						
NAME					PART No.				
"E" SERIES - 1/4"					E111L				
2 CONDUCTOR LOCKING JACK, RoHS					REV				
					B				