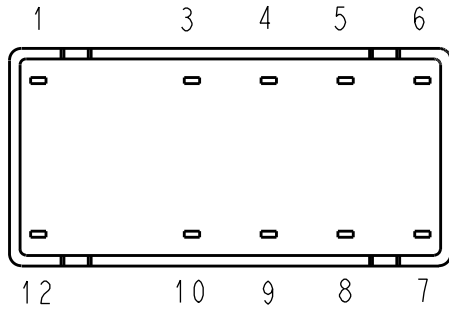
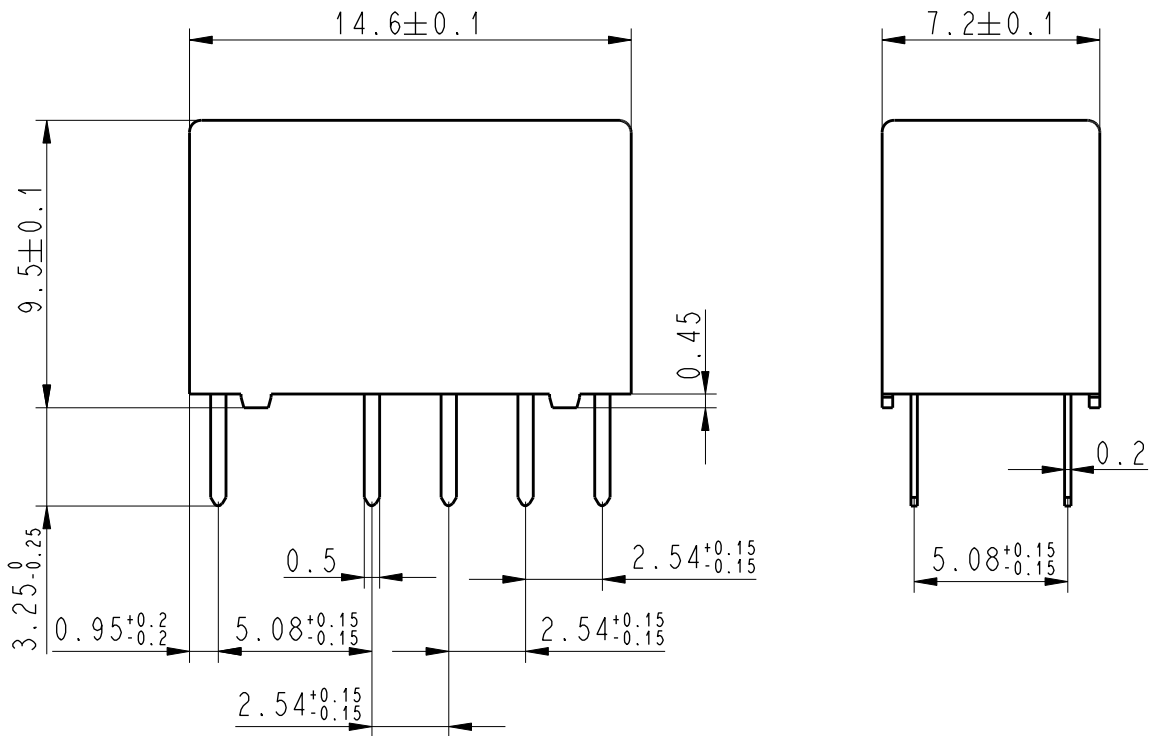


LOC	DIST	REVISIONS					
		P	LTR	DESCRIPTION	DATE	DWN	APVD
HJ	-		A6	Tolerance added	09SEP2009	UKo	HD
			B	Change marking	11SEP2009	UKo	HD
			C	Printing	10MAY2010	UKo	HD
			C1	Printing Date-Code	20AUG2010	UKo	HD



Relay - bottom view



xx = Relay type
YYWW = Date code

DRAWING ALIAS C23303-A079-A001

2006

RELEASED FOR PUBLICATION

THIS DRAWING IS UNPUBLISHED.

© COPYRIGHT 2006 BY TYCO ELECTRONICS CORPORATION. ALL RIGHTS RESERVED.

DIMENSIONS: mm	DWN	Korytak	02Jun2004	MATERIAL	-	FINISH	-
	CHK	Korytak	02Jun2004	Tyco Electronics AXICOM AG CZ-54101 Trutnov			
TOLERANCES UNLESS OTHERWISE SPECIFIED: DIN 7168-m	APVD	Korytak	02Jun2004				
	0 PLC	±-	PRODUCT SPEC	-	NAME	P2-Relay THT Dimensions	
1 PLC	±	APPLICATION SPEC	-	SIZE	A 4	CAGE CODE	00779
2 PLC	±	WEIGHT	-	DRAWING NO	C-1393789-5		RESTRICTED TO
3 PLC	±	CUSTOMER DRAWING	SCALE	4:1	SHEET	1	OF
4 PLC	±						
ANGLES	±-						