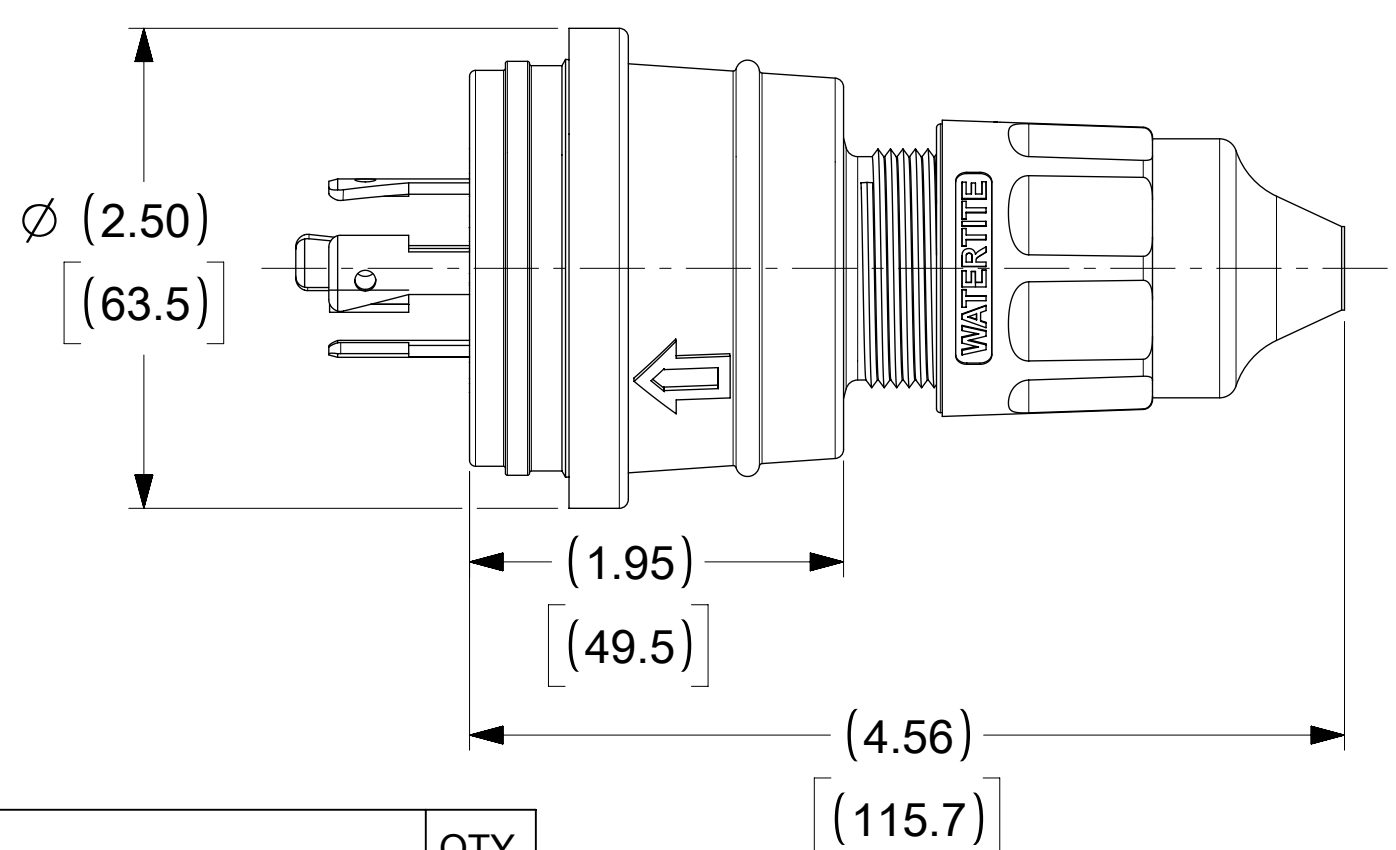
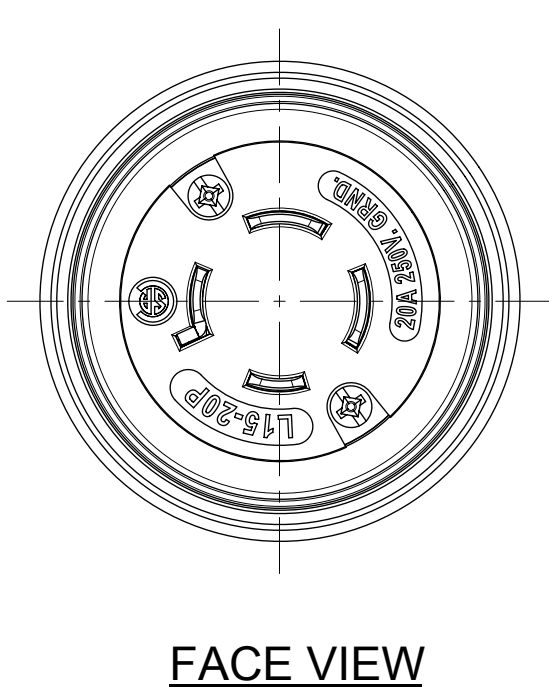
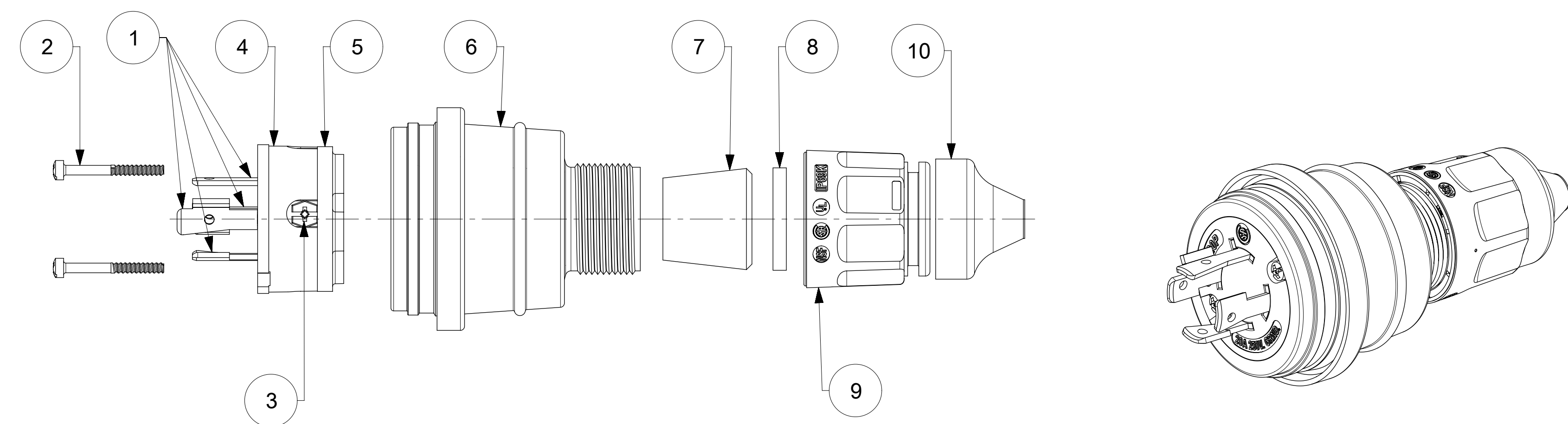


ORDER NO.	WOODHEAD NO.	COLOR
130147-0027	26W75	YELLOW
130147-0028	26W75BLK	BLACK



NOTE:
1. ACCEPT CABLE RANGE FROM .437" TO .750"

ITEM NO.	DESCRIPTIONS	MATERIAL	QTY.
1	BLADE	BRASS, NICKEL PLATED	4
2	RETAINING SCREWS	STAINLESS STEEL	2
3	CLAMP AND TERMINAL SCREW ASSY	BRASS, ZINC PLATED	4
4	INSERT	NYLON	1
5	TERMINAL COVER	POLYCARBONATE	1
6	HOUSING	SILICON WITH NYLON THREAD	1
7	GROMMET	RUBBER	4
8	FRICTION RING	NYLON	1
9	COMPRESSION NUT	NYLON	1
10	CABLE GLOVE	SILICONE	1

SYMBOLS DIMENSION UNITS: INCH[MM] SCALE: NTS CURRENT REV DESC: RELEASED		molex WATERTITE PLUG 3P4W L15-20 PRODUCT CUSTOMER DRAWING	
GENERAL TOLERANCES (UNLESS SPECIFIED) 4 PLACES ± 3 PLACES ± 2 PLACES ± 1 PLACE ± 0 PLACES ±			
ANGULAR TOL ± ° DRAFT WHERE APPLICABLE MUST REMAIN WITHIN DIMENSIONS		INITIAL REVISION: DRWN: DSOPPIN 2019/01/10 APPR: BCAPPS 2019/05/08	
THIRD ANGLE PROJECTION		DRAWING SERIES: C-SIZE 130147	
DOCUMENT STATUS: P1 RELEASE DATE: 2019/05/08 22:05:22		DOCUMENT NUMBER: 1301470027 DOC TYPE: PSD DOC PART: 000 REVISION: A	
MATERIAL NUMBER: SEE TABLE CUSTOMER: GENERAL MARKET		SHEET NUMBER: 1 OF 1	