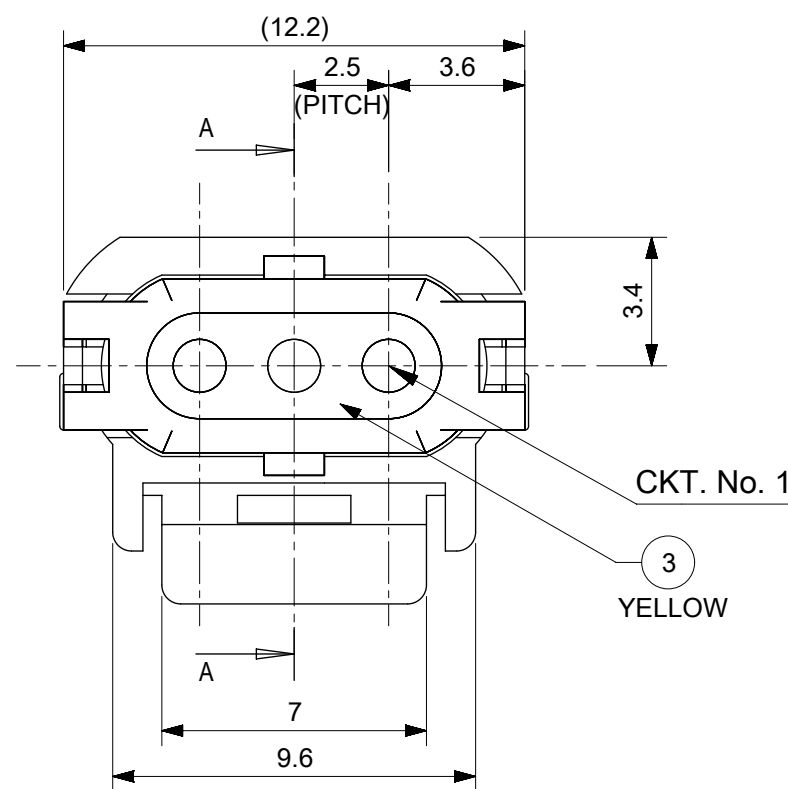
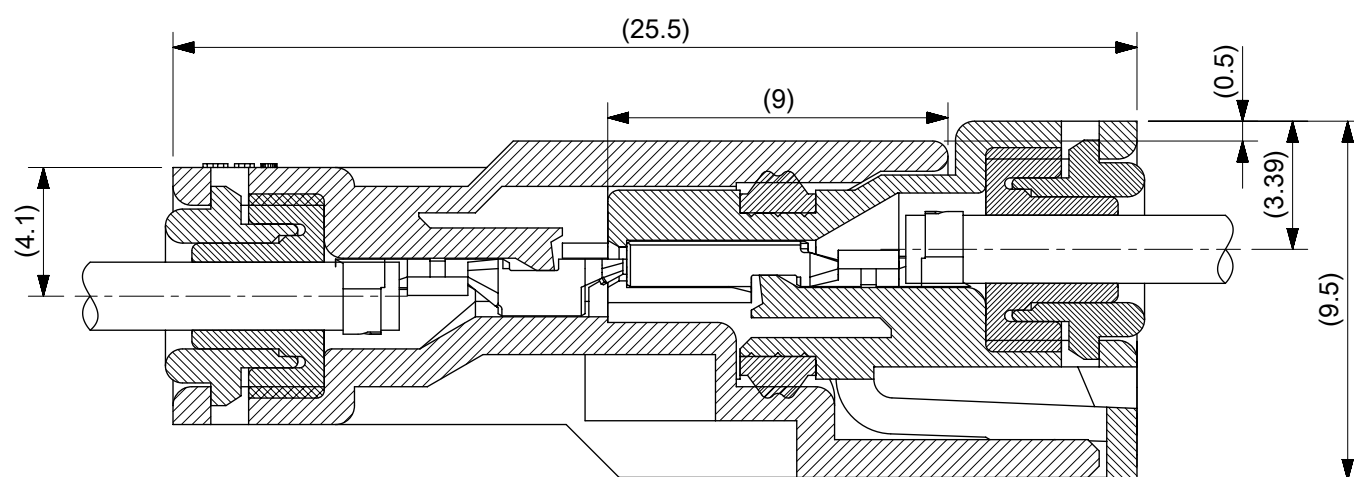
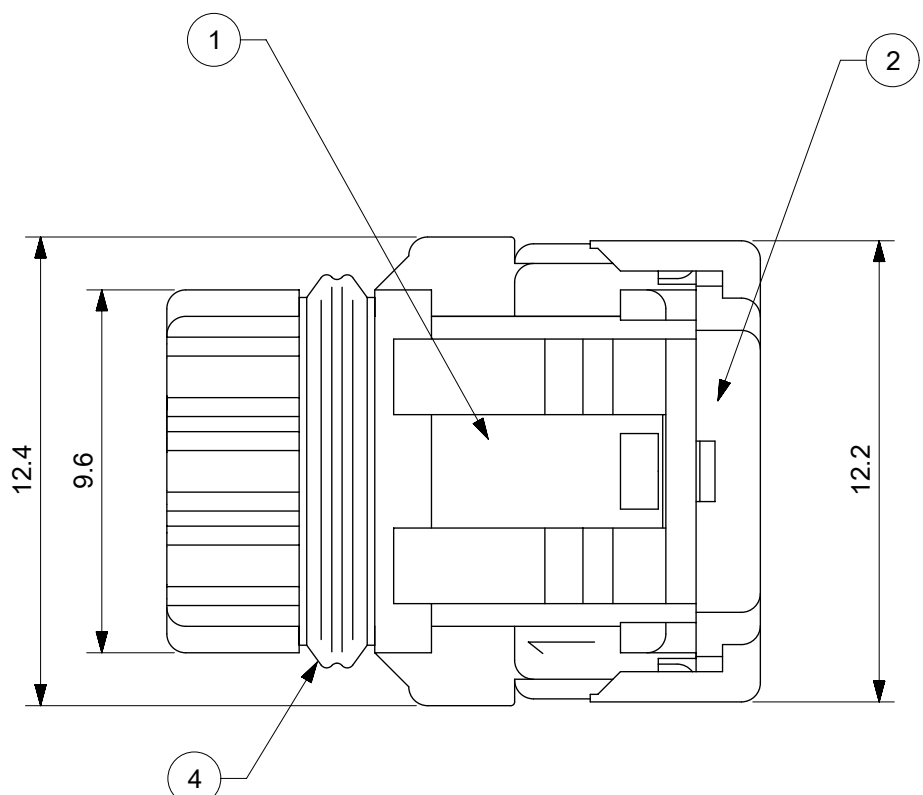


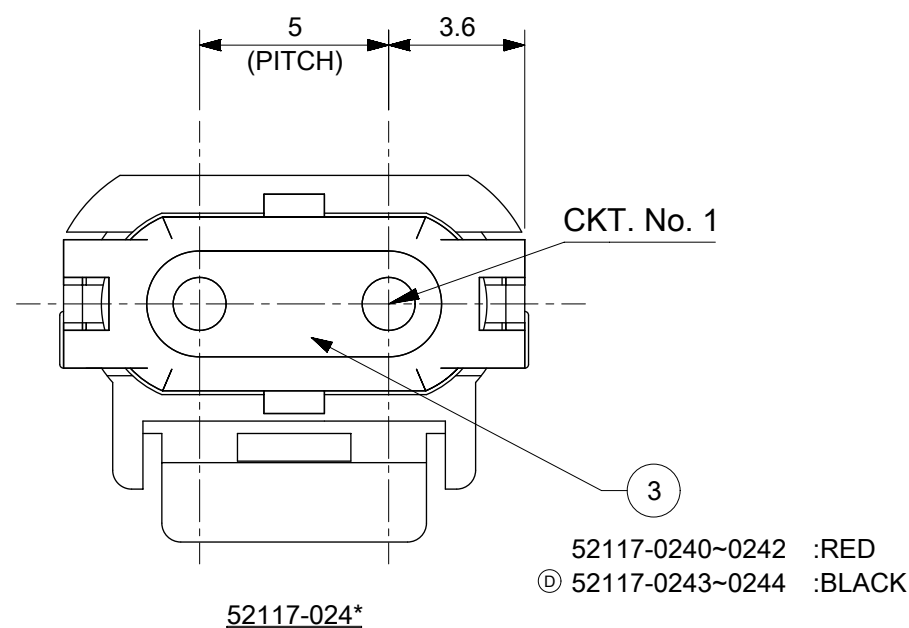
端子装着時の断面 A-A
SECTION A-A TERMINAL ASSEMBLY DRAWING



52117-034*



嵌合状態図
FULLY MATED CONDITION



52117-024*

- 注記
NOTE
- 適合端子 : 50039-8*00
APPLICABLE TERMINAL:50039-8*00
 - 嵌合相手 : 52116-0*4*
MATES WITH:52116-0*4*
 - 製品仕様書 : PS-52117-007
PRODUCT SPECIFICATION:PS-52117-007
 - 取扱説明書 : AS-52117-001
APPLICATION SPECIFICATION : AS-52117-001
 - ELV及びRoHS適合品
ELV AND RoHS COMPLIANT

赤 RED	52117-0342	3
黒 BLACK	52117-0341	3
白 WHITE	52117-0340	3
黒 BLACK	ⓐ52117-0244	2
白 WHITE	52117-0243	2
赤 RED	52117-0242	2
黒 BLACK	52117-0241	2
白 WHITE	52117-0240	2
色 COLOR	MATERIAL NO.	極数 CKT

シリコンゴム SILICONE	黄 YELLOW	RING SEAL	④
シリコンゴム SILICONE	図参照 SEE DRAWING	WIRE END SEAL	③
ポリエステル (15%G.F.) POLYESTER	表参照 SEE CHART	CAP	②
ポリエステル (15%G.F.) POLYESTER	表参照 SEE CHART	REC. HOUSING	①
材料 MATERIAL	色 COLOR	名称 TITLE	
構成部品 COMPONENTS			

DOCUMENT STATUS	P1	RELEASE DATE	2018/11/28	07:54:17
-----------------	----	--------------	------------	----------

THIS DRAWING CONTAINS INFORMATION THAT IS PROPRIETARY TO MOLEX ELECTRONIC TECHNOLOGIES, LLC AND SHOULD NOT BE USED WITHOUT WRITTEN PERMISSION			
DIMENSION UNITS	SCALE	CURRENT REV DESC:	
mm	5:1		
GENERAL TOLERANCES (UNLESS SPECIFIED)		GENERAL TOLERANCES (UNLESS SPECIFIED)	
10 UNDER	±0.2	ANGULAR TOL	± 3.0°
10 OVER 30 UNDER	±0.25	4 PLACES	± 0.2
30 OVER	±0.3	3 PLACES	± 0.25
ANGULAR ±3°		2 PLACES	± 0.3
INITIAL REVISION:		1 PLACE	±
DRWN Y.ASHIZAWA	1988/07/08	0 PLACES	±
CHECK M.SAKANO	1988/07/08	DRAFT WHERE APPLICABLE MUST REMAIN WITHIN DIMENSIONS	
APPR M.ENOMOTO	1988/07/08	THIRD ANGLE PROJECTION	DRAWING
		INITIAL REVISION:	SERIES
		DRWN: SINAKA	2011/11/30
		APPR: MAYAMAMOTO	2012/01/18
		EC NO: 607893	
		DRWN: TMORISHITA	2018/08/16
		CHK'D: HKOMATSU	2018/11/27
		APPR: TOSADA	2018/11/28
molex			
2.5 WATERPROOF CONN. REC. HSG ASSY W/POSITIVE LOCK			
PRODUCT CUSTOMER DRAWING			
DOCUMENT NUMBER		DOC TYPE	DOC PART
SD-52117-001		PSD	001
MATERIAL NUMBER		CUSTOMER	REVISION
SEE CHART		GENERAL MARKET	D
SHEET NUMBER		1 OF 1	