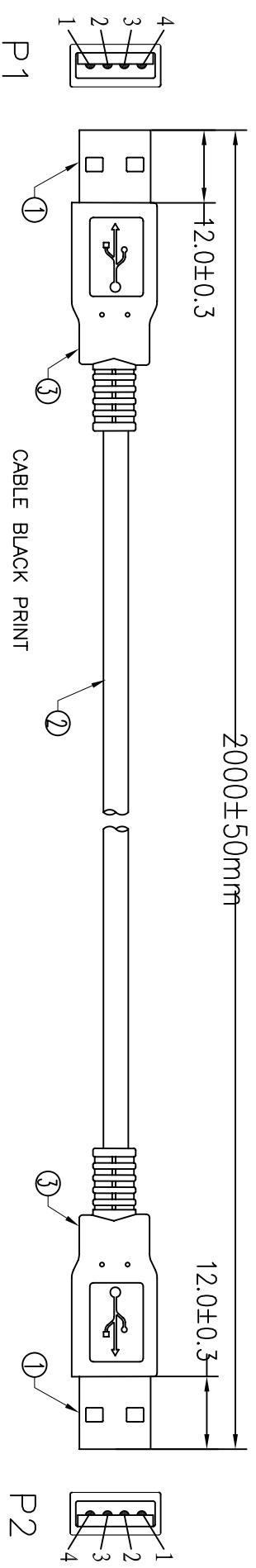
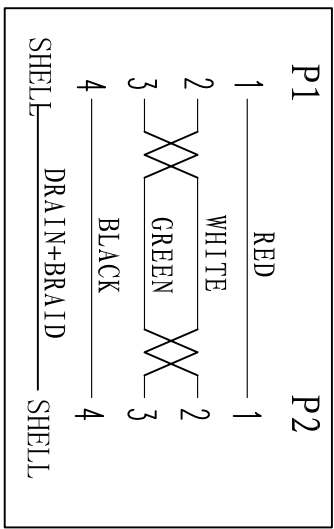


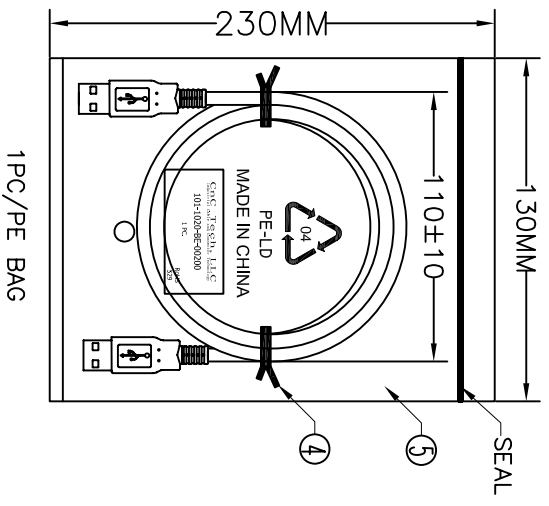
UNIT: mm



PIN ASSIGNMENT:



Electrical test:
 1. 100% short, open, miswire test
 2. Conduct resistance: 2 Ohm(max)
 3. Insulation resistance: 5Mohm(min)
 4. dielectric test: DC 300V



1PC/PE BAG

⑥	PE BAG	1/10	CLEAR SIZE: 280*330*0.05mm	PRINT BLACK	MADE IN CHINA	"10PCS"
⑤	PE BAG	1	CLEAR SIZE: 130*230*0.05mm	PRINT BLACK	MADE IN CHINA	"1PC"
④	TIE	2	WHITE	L=100mm		
③	OUT JACKET	12g	BEIGE (1V-29#)	PVC-40P	(MOULD NO: WM-40)	
②	CABLE	1	BEIGE (1V-29#)	USB2.0 UL2725 28#/1P+24#/2C+4EB	OD: 4.7mm	L=2000±10
①	CONN	2set	USB A MALE NICKEL	PIN G/F	3PCS TYPE	
NO.	NAME	Q'TY	SPECIFICATION			

CNC Tech, LLC
 Industrial Cable and Connector Technology

DRAWN	Andy	DRAWING NO	
CHECKED		CUSTOMER	
APPROVAL		ITEM NO.	101-1020-BE-00200
DECIDED		DATE	2013-8-23
VERSIONS/EDITION	A/0	PROJECTION	