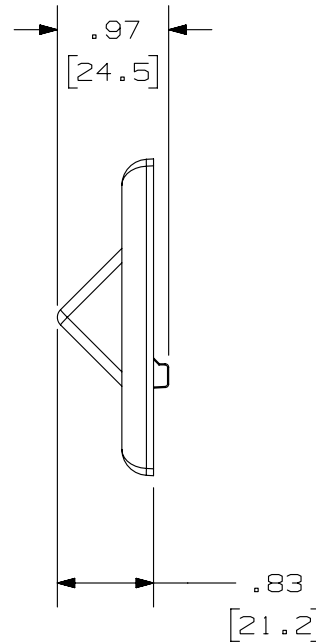
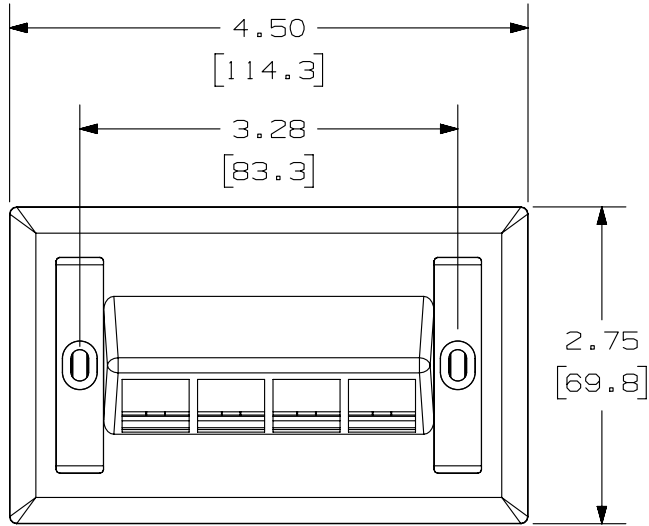


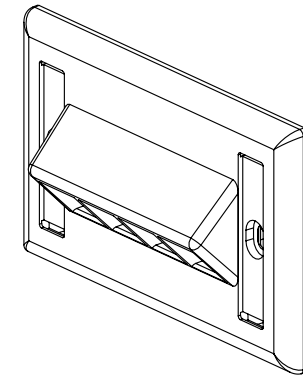
THIS COPY IS PROVIDED ON A RESTRICTED BASIS AND IS NOT TO BE USED IN ANY WAY DETRIMENTAL TO THE INTERESTS OF PANDUIT CORP.

| PANDUIT P/N | WEIGHT |
|-------------|---------------------------------|
| NK4HSF**Y | .56 LB/10 PCS (255 g/10 PCS) |



NOTES:

- SEE CURRENT CATALOG FOR ADDITIONAL PART SUFFIXES TO INDICATE COLOR AND OR PACKAGE QUANTITY.
- FACEPLATE WILL ACCEPT FOUR STANDARD NETKEY MODULES.
- PART INCLUDES:
 - 1- FACEPLATE
 - 2- MOUNTING SCREW
 - 2- LABEL
 - 2- LABEL COVER
- DIMENSIONS IN [] ARE IN METRIC.



| | | | |
|---|---------|----------------------|-------|
| PART NUMBER | | NK4HSF**Y | |
| TITLE | | | |
| NETKEY 4 POSITION SINGLE GANG HORIZONTAL SLOPED | | FACEPLATE WITH LABEL | |
| CUSTOMER DRAWING | | | |
| ITEM REVISION NAME | | M02479BK/06 | |
| DATASET FILE NAME | | M02479BK_DC037/06A | |
| UNLESS OTHERWISE SPECIFIED, DIMENSIONAL TOLERANCES ARE: IN [mm] | | MATERIAL: | |
| .x ± .xx ± .03 [.8] | | ABS | |
| .xxx ± .010 [.3] | | DRAWING NUMBER: | |
| ANGLES ± | | 02479-037 | |
| THIRD ANGLE PROJECTION | | SHT 1 OF 1 | |
| DRAWN BY | DATE | CHK | SCALE |
| JSP | 7-29-06 | | NONE |
| REV | DATE | BY | CHK |
| | | | |
| 1 | 5-12-14 | MDJR | REFR |
| R | 7-29-06 | JSP | |
| DESCRIPTION | | ECN | |
| A. UPDATED TITLE BLOCK. | | 02479-037 | |
| RELEASED TO PRODUCTION | | 02479-037 | |

D10100DA/14

2

1

2

1