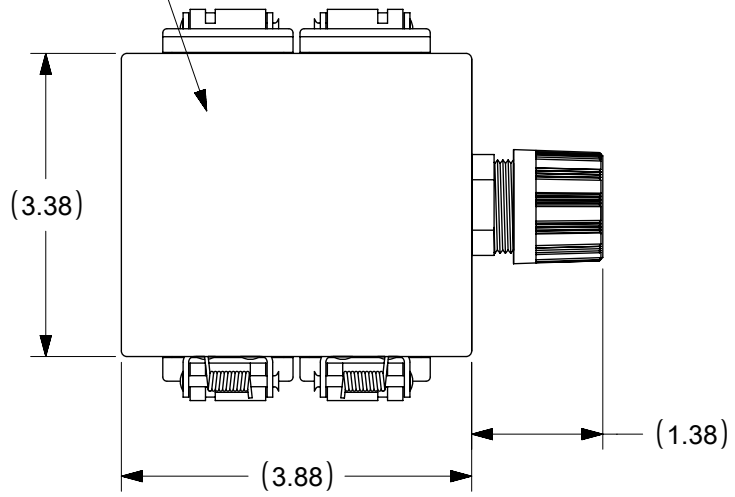
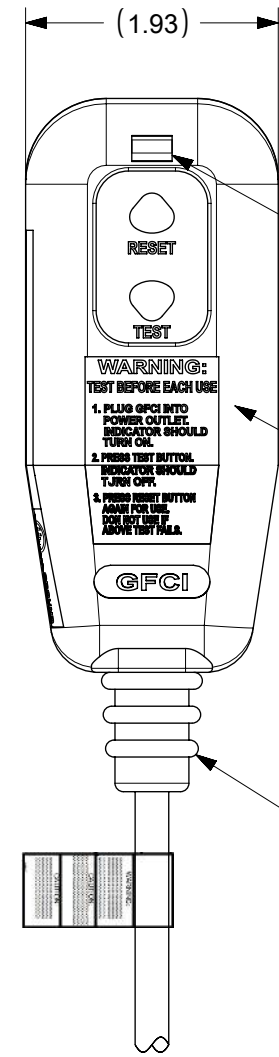
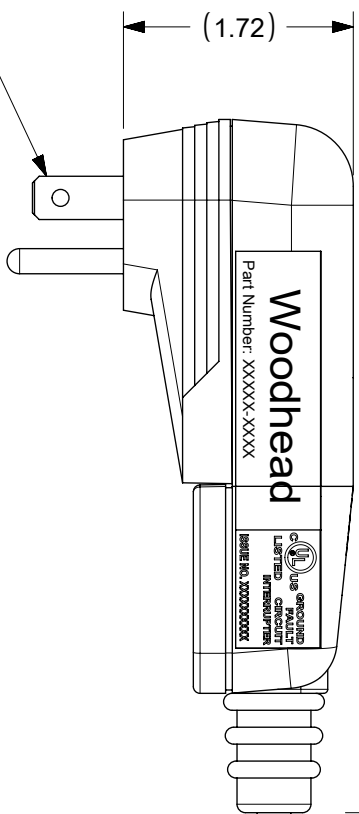


RUBBER BOX  
COLOR: YELLOW



NEMA 5-15P  
PLUG



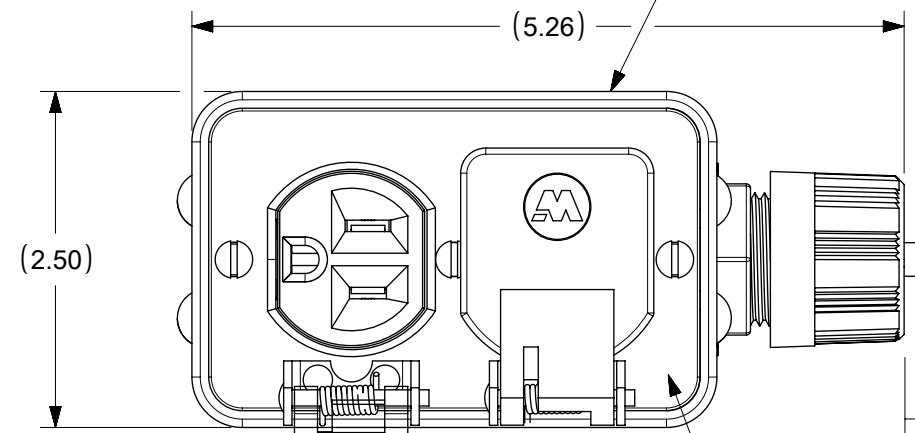
LED INDICATOR  
CONFIRMS POWER  
AND FAULT STATUS

HIGH STRENGTH  
POLYCARBONATE  
HOUSING  
COLOR: BLACK

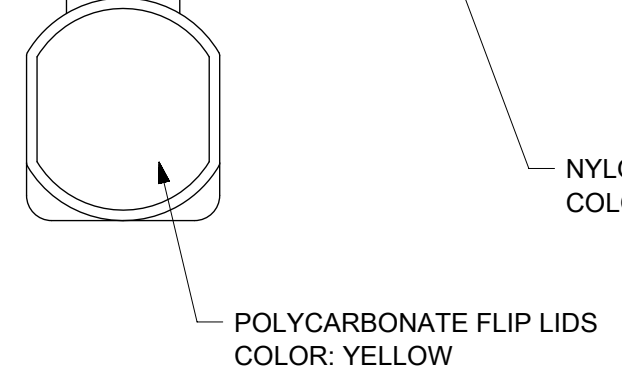
CORD STRAIN  
RELIEF  
COLOR: BLACK

#12-3 SJTW  
300V CORD  
COLOR: YELLOW

NEMA 5-15  
SUPER-SAFEWAY  
WATERTITE  
DUAL-SIDED OUTLET BOX  
PART #3005-1



NYLON COVER PLATE  
COLOR: YELLOW



LENGTH "L"

**TECHNICAL:**  
LISTED: UL AND cUL  
RATED SUPPLY VOLTAGE: 120 VAC  
RATED CURRENT: UP TO 15 AMPS OR CABLE RATING  
RESET TYPE: AUTOMATIC OR MANUAL  
OPERATING FREQUENCY: 60 Hz  
TYPE: CLASS A  
GROUND TRIP CURRENT: 4-6 mA  
OVERLOAD CURRENT: 90 AMP 125 VAC  
INSULATION VOLTAGE: 1,500 VRMS - 1 MINUTE  
ENDURANCE OPERATIONS: 3000 OPERATIONS

MATERIAL NO.	ENGINEERING NO.	LENGTH "L"	POWER-UP
1301530084	15053W-2A	2 FT ± 1 IN	AUTO
1301530082	15053W-25A	25 FT ± 2 IN	AUTO
1301530087	15053W-50A	50 FT ± 4 IN	AUTO
1301530085	15053W-2M	2 FT ± 1 IN	MANUAL
1301530083	15053W-25M	25 FT ± 2 IN	MANUAL
1301530088	15053W-50M	50 FT ± 4 IN	MANUAL

THIS DRAWING CONTAINS INFORMATION THAT IS PROPRIETARY TO MOLEX ELECTRONIC TECHNOLOGIES, LLC AND SHOULD NOT BE USED WITHOUT WRITTEN PERMISSION

FUNCTIONAL SYMBOLS	DIMENSION UNITS	SCALE	CURRENT REV DESC: MIGRATION TO ECTR/NX
$\nabla = 0$	INCH	NTS	
$\nabla = 0$	GENERAL TOLERANCES (UNLESS SPECIFIED)		
$\nabla = 0$	ANGULAR TOL ± °		
DIVISIONAL SYMBOLS	4 PLACES ±		
	3 PLACES ±		
	2 PLACES ±		
	1 PLACE ±		
	0 PLACES ±		
	DRAFT WHERE APPLICABLE MUST REMAIN WITHIN DIMENSIONS	THIRD ANGLE PROJECTION	DRAWING SERIES MATERIAL NUMBER CUSTOMER SHEET NUMBER
			B-SIZE 130153 SEE TABLE GENERAL MARKET 1 OF 1

EC NO: 683960  
DRWN: VBASUTHKARP 2021/10/28  
CHKD: DNGUYEN62 2021/11/15  
APPR: HKNEELAND 2022/01/21  
INITIAL REVISION:  
DRWN: HRUIZ01 2013/02/08  
APPR: JFMURPHY 2015/04/20

**molex**  
120V 15A GFCI PLUG  
W/ 4 RCPT WEATHER RESIST BOX NEMA 5-15  
PRODUCT CUSTOMER DRAWING  
DOCUMENT NUMBER: SD-130153-020  
DOC TYPE: PSD  
DOC PART: 001  
REVISION: A1