

6

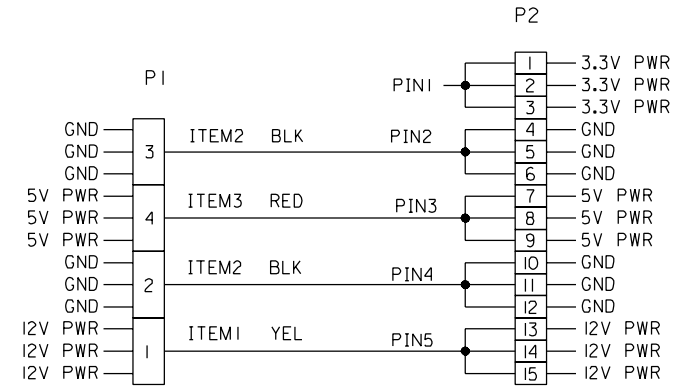
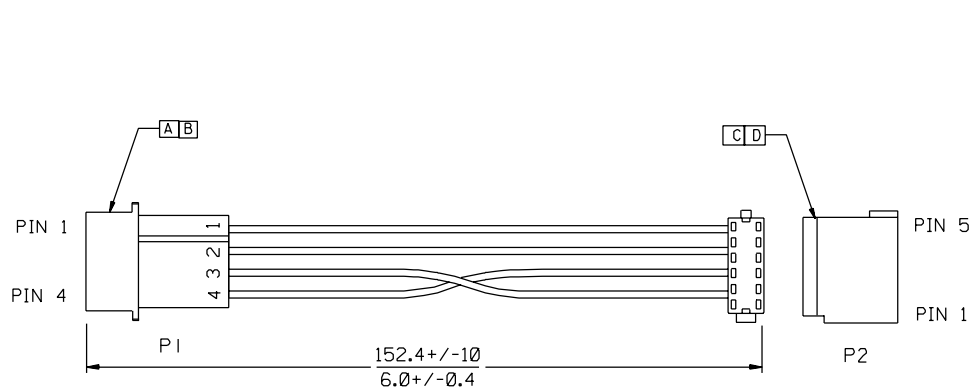
5

4

3

2

1



NOTE: I. ELECTRIC PERFORMANCE:
DIELECTRONIC STRENGTH: 500 V DC/0.01Sec.
INSULATION RESISTANCE: 100M OHMS Min.
CONDUCTIVE RESISTANCE: 2 OHMS Max.

| | | |
|-------------|-------------|------------------|
| 887614510 | 679260012 | 30u" Gold-plated |
| 887614500 | 679260011 | Gold Flash |
| MATERIAL NO | S-ATA CONN. | DESCRIPTION |

| | | | |
|------|--------------------------|-----|-------|
| D | COVER 679260040 | 1 | |
| C | S-ATA CONN.: SEE TABLE | 1 | |
| B | 4P CONTACT 887899491 | 4 | |
| A | 4P PWR HOUSING 887899490 | 1 | |
| 3 | UL1007 #18 RED 887711351 | 1 | 144 |
| 2 | UL1007 #18 BLK 887711350 | 2 | 288 |
| 1 | UL1007 #18 YEL 887711353 | 1 | 144 |
| ITEM | DESCRIPTION | QTY | L(mm) |

| | | | | | | | | | | | |
|---|--------------------|-------------------------------------|---|------|---|--|-----------------------------|--|---------------------|-----|-----|
| EC NO. DRWN: Louis 03/09/08 CHK: APPR: | DESCRIPTION REV | QUALITY SYMBOLS | GENERAL TOLERANCES: (UNLESS SPECIFIED) | | SCALE N.T.S | DESIGN UNITS <input checked="" type="checkbox"/> mm <input type="checkbox"/> INCH | THIRD ANGLE PROJECTION | DIMENSIONS: <input checked="" type="checkbox"/> mm <input type="checkbox"/> INCH <input type="checkbox"/> mm ONLY | | SHT | REV |
| | | MAJOR ▼ = 0 CRITICAL ▽ = 0 | mm | INCH | DRAWN BY & DATE Louis Chen 03/09/08 | TITLE: S-ATA IDT POWER ADAPTER CABLE (5V+12V), 6 INCH | | | | | |
| | | | 4 PLACES ±0. | ±. | CHECKED BY & DATE David Wang 03/09/08 | MOLEX INCORPORATED | | | | | |
| | | | 3 PLACES ±0. | ±. | APPROVED BY & DATE Ricky Leung 03/09/08 | CAD FILENAME J6145-XX .DGN | MATERIAL NO. 887-6145-XX | DRAWING NO. SD-88755-006 | SHEET NO. 1 OF 1 | | |
| A | | | 2 PLACES ±0. | ±. | THIS DRAWING CONTAINS INFORMATION THAT IS PROPRIETARY TO MOLEX INCORPORATED AND SHOULD NOT BE USED WITHOUT WRITTEN PERMISSION. | | | | | | |
| | | | 1 PLACE ±0. | ±. | SIZE A4 | | | | | | |

WBORD_A.BOR REV A
97/05/14 LEVEL 3