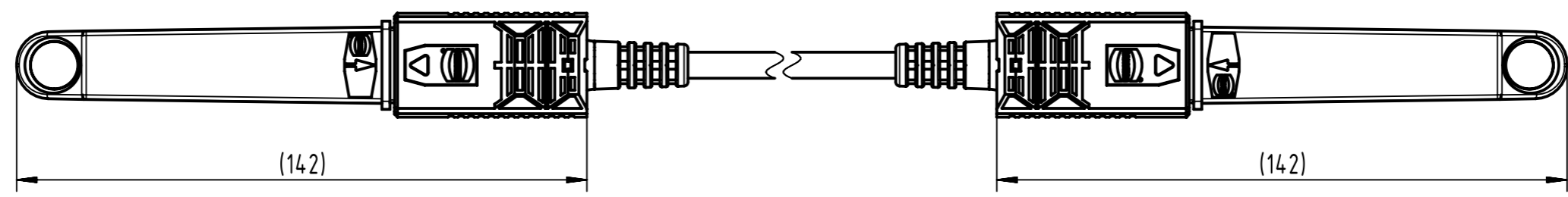
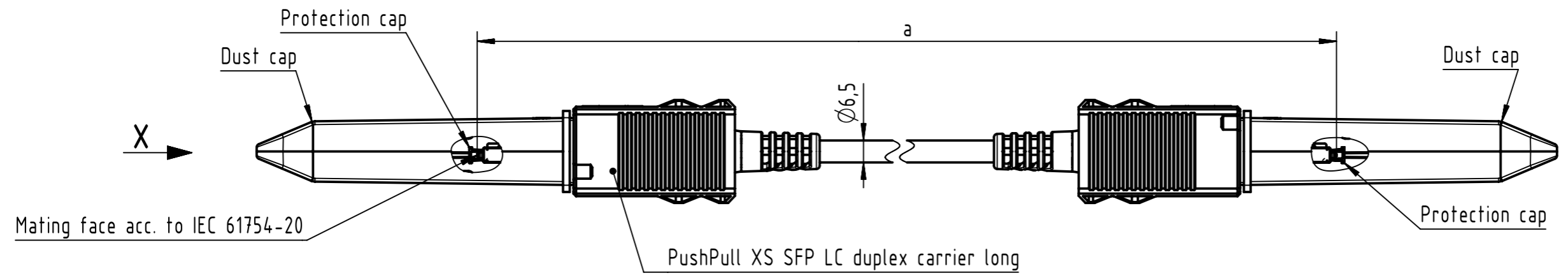


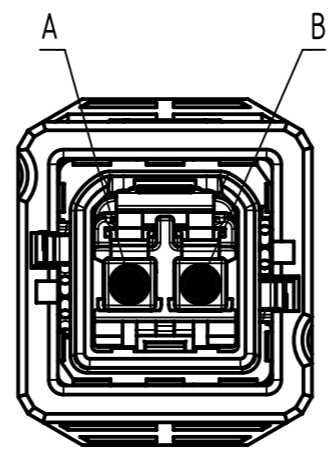
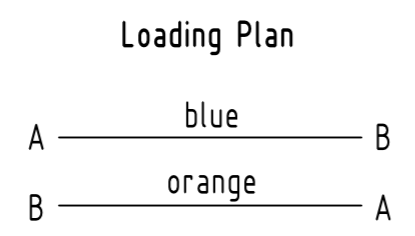
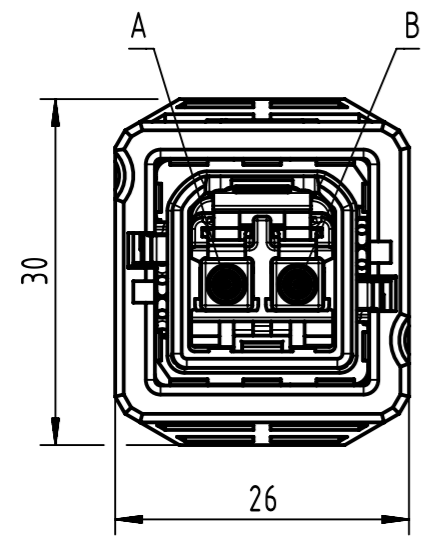
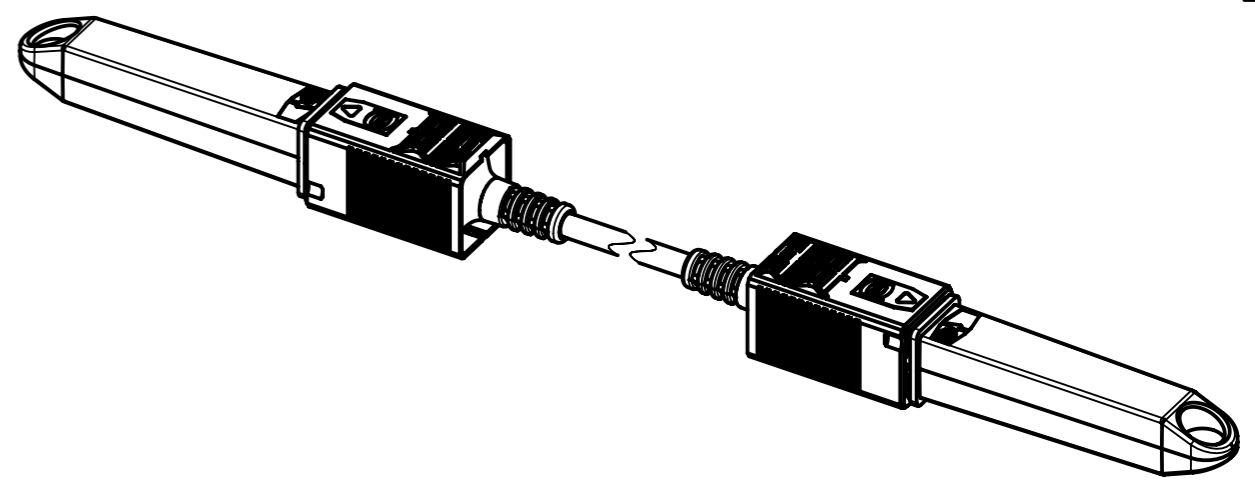
Connector Location A

Connector Location B



X
male
(without dust cap and protection cap)


Y
male
(without dust cap and protection cap)



Further information see DS 33265100000

	All rights reserved		Created by 402676 Gross		Inspected by 402676 Gross		Standardisation COSTEA Costea		Date 2022-08-31		State Final Release	
	Department HCS - RO		Title PP XS LCdx Lg - PP XS LCdx Lg, MM Assy				Doc-Key / ECM-Nr. 100572207/UGD/033/E 50000219506		Rev. E		Page 1/2	
HARTING Customised Solutions D-32339 Espelkamp			Type TB		Number 3326231XXX0012							

Cont. no.	Part no.	Type of cable	Dim. a[m]					
27	3326231100012	FO Breakout Cable, MM, 50/125µm, PUR, black, bend tolerant OM3	100	±1%				
26	3326231090012		90					
25	3326231080012		80					
24	3326231070012		70					
23	3326231060012		60					
22	3326231050012		50					
21	33262310450012		45					
20	33262310400012		40					
19	33262310350012		35					
18	33262310300012		30					
17	33262310250012		25					
16	33262310200012		20					
15	33262310150012		15					
14	33262310140012		14					
13	33262310130012		13					
12	33262310120012		12					
11	33262310110012		11					
10	33262310100012		10					
9	33262310090012		9					
8	33262310080012		8					
7	33262310070012		7					
6	33262310060012		6					
5	33262310050012		5					
4	33262310040012		4					
3	33262310030012		3					
2	33262310020012		2	±0.03				
1	33262310010012		1					

	All rights reserved	Created by 402676 Gross	Inspected by 402676 Gross	Standardisation COSTEA Costea	Date 2022-08-31	State Final Release
	Department HCS - RO	Title PP XS LCdx Lg - PP XS LCdx Lg, MM Assy		Doc-Key / ECM-Nr. 100572207/UGD/033/E 500000219506		
HARTING Customised Solutions D-32339 Espelkamp		Type TB	Number 3326231XXX0012		Rev. E	Page 2/2