

# HC-B24-HCFD-PR-BK - Protective cover



1346551

<https://www.phoenixcontact.com/us/products/1346551>

Please be informed that the data shown in this PDF document is generated from our online catalog. Please find the complete data in the user documentation. Our general terms of use for downloads are valid.

Protective cover B24, for double locking latch, protective cover material: PC, height: 26.3 mm, seal: yes



## Commercial data

|                                      |               |
|--------------------------------------|---------------|
| Item number                          | 1346551       |
| Packing unit                         | 1 pc          |
| Minimum order quantity               | 1 pc          |
| Sales key                            | BF66          |
| Product key                          | BF7AZC        |
| GTIN                                 | 4063151660659 |
| Weight per piece (including packing) | 35.01 g       |
| Weight per piece (excluding packing) | 31.4 g        |
| Customs tariff number                | 85389099      |
| Country of origin                    | CN            |

# HC-B24-HCFD-PR-BK - Protective cover



1346551

<https://www.phoenixcontact.com/us/products/1346551>

## Technical data

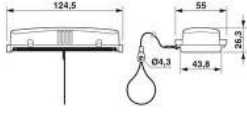
### Notes

|         |  |
|---------|--|
| General | Protective cover for supporting base element with double locking latch |
|---------|--|

### Product properties

|              |                  |
|--------------|------------------|
| Type         | B24              |
| Product type | Protective cover |
| Housing type | Protective cover |
| Seal present | yes              |

### Dimensions

|                     |   |
|---------------------|---|
| Dimensional drawing |  |
| Width               | 55 mm   |
| Height              | 26.3 mm   |
| Length              | 124.5 mm  |
| Diameter            | 40 mm   |

### Material specifications

|  |     |
|--|-----|
| Material                               | PC  |
| Flammability rating according to UL 94 | V0  |
| Seal material                          | NBR |
| Material, protective cover             | PC  |

### Environmental and real-life conditions

#### Ambient conditions

|                                 |                   |
|---------------------------------|-------------------|
| Degree of protection            | IP66              |
| Ambient temperature (operation) | -40 °C ... 124 °C |
| Resistance to UV radiation      | yes               |

### Standards and regulations

|                            |     |
|----------------------------|-----|
| Resistance to UV radiation | yes |
|----------------------------|-----|

### Mounting

|                       |  |
|-----------------------|--|
| Assembly instructions | Double eyelet for mounting on a cable / below screw head<br>Plastic protective cover for short-term protection |
|-----------------------|--|

# HC-B24-HCFD-PR-BK - Protective cover

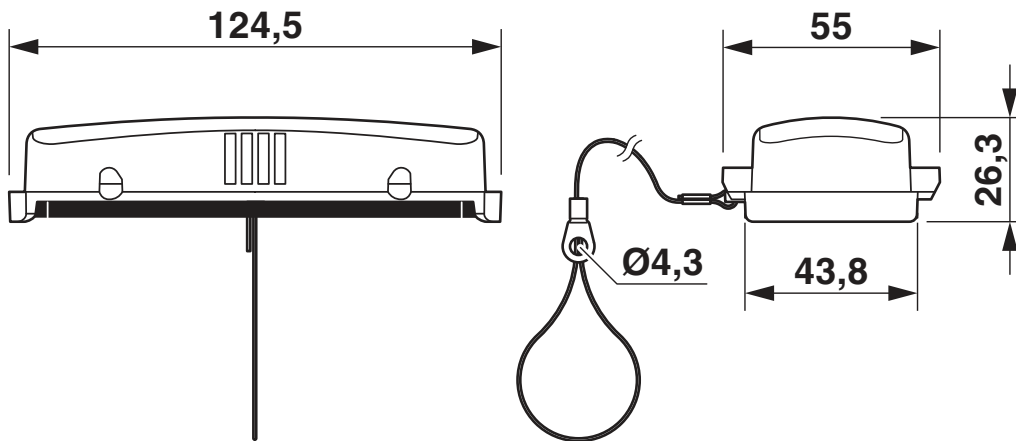


1346551

<https://www.phoenixcontact.com/us/products/1346551>

## Drawings

Dimensional drawing



Dimensional drawing

# HC-B24-HCFD-PR-BK - Protective cover



1346551

<https://www.phoenixcontact.com/us/products/1346551>

## Approvals

🔗 To download certificates, visit the product detail page: <https://www.phoenixcontact.com/us/products/1346551>



**EAC**

Approval ID: RU C-DE.BL08.B.00511

**DNV**

Approval ID: TAE000037S

# HC-B24-HCFD-PR-BK - Protective cover



1346551

<https://www.phoenixcontact.com/us/products/1346551>

## Classifications

### ECLASS

|             |          |
|-------------|----------|
| ECLASS-11.0 | 27440208 |
| ECLASS-12.0 | 27440208 |
| ECLASS-13.0 | 27440208 |

### ETIM

|          |          |
|----------|----------|
| ETIM 8.0 | EC002314 |
|----------|----------|

### UNSPSC

|             |          |
|-------------|----------|
| UNSPSC 21.0 | 39121400 |
|-------------|----------|

# HC-B24-HCFD-PR-BK - Protective cover



1346551

<https://www.phoenixcontact.com/us/products/1346551>

## Environmental product compliance

|            |   |
|------------|---|
| China RoHS | Environmentally friendly use period: unlimited = EFUP-e<br>No hazardous substances above threshold values |
|------------|---|

Phoenix Contact 2023 © - all rights reserved  
<https://www.phoenixcontact.com>

Phoenix Contact USA  
586 Fulling Mill Road  
Middletown, PA 17057, United States  
(+717) 944-1300  
[info@phoenixcon.com](mailto:info@phoenixcon.com)