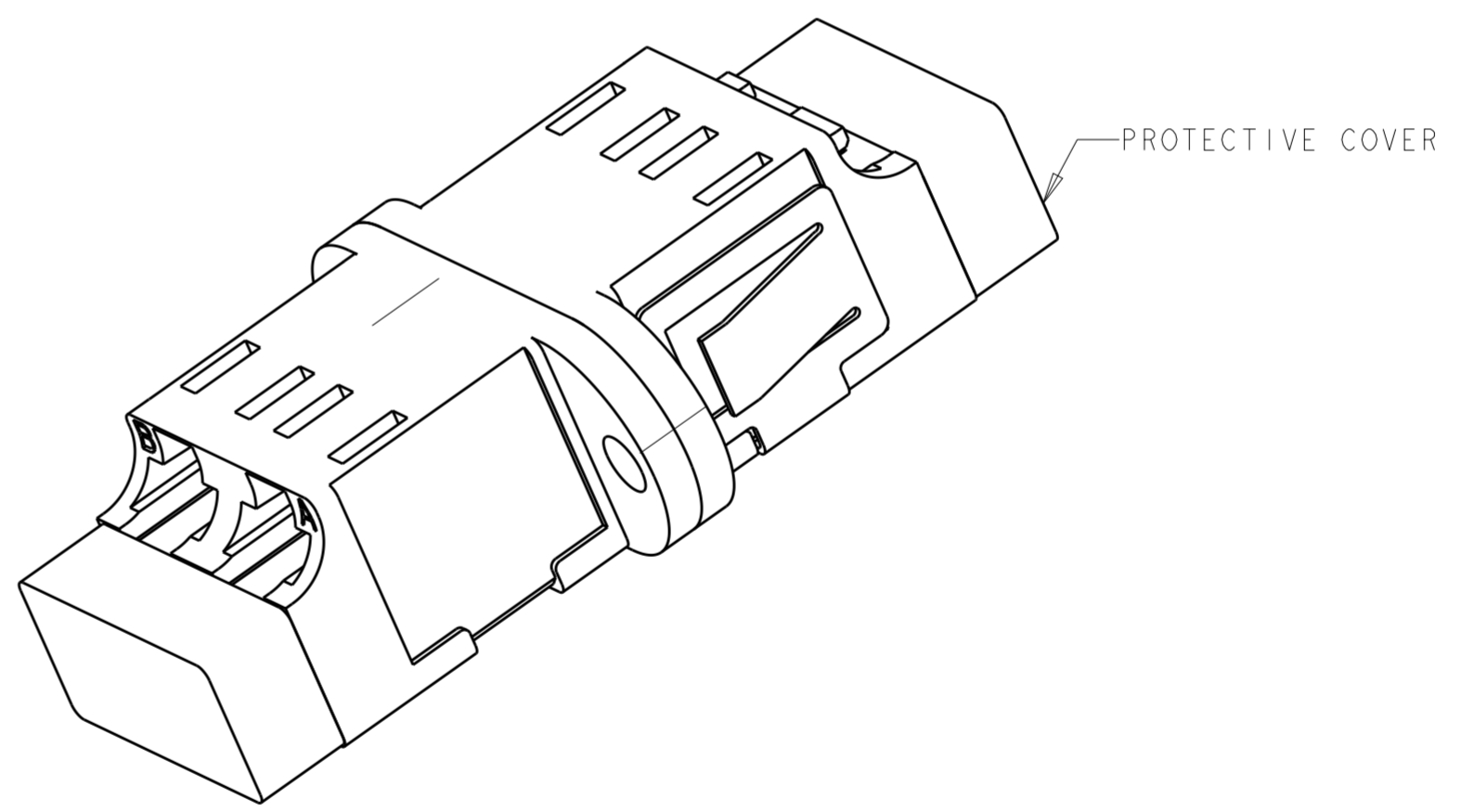
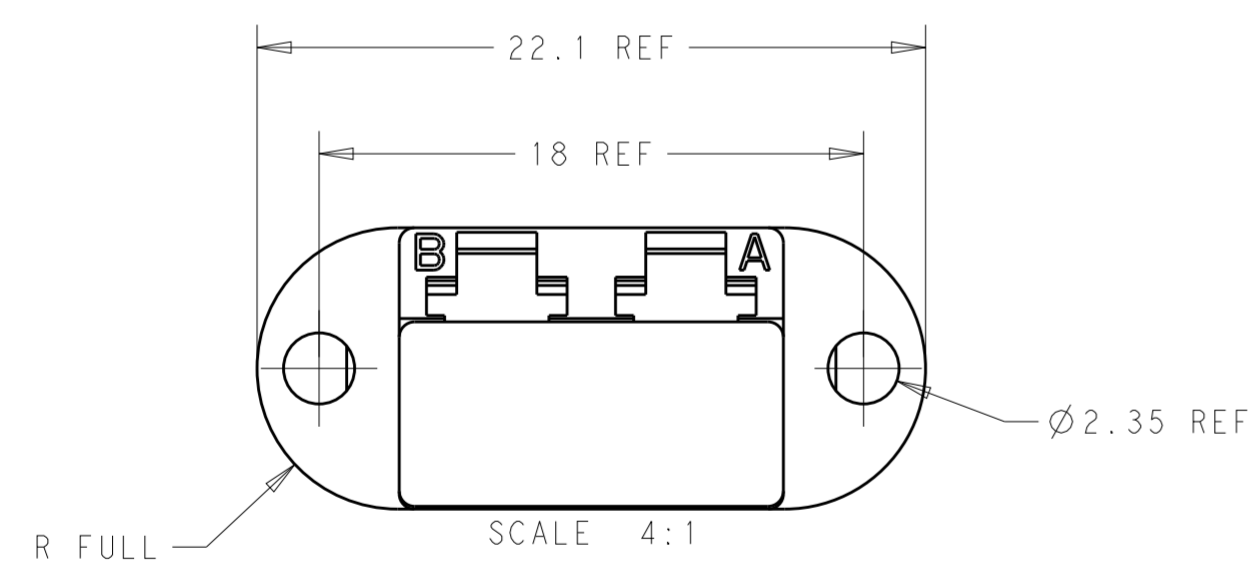
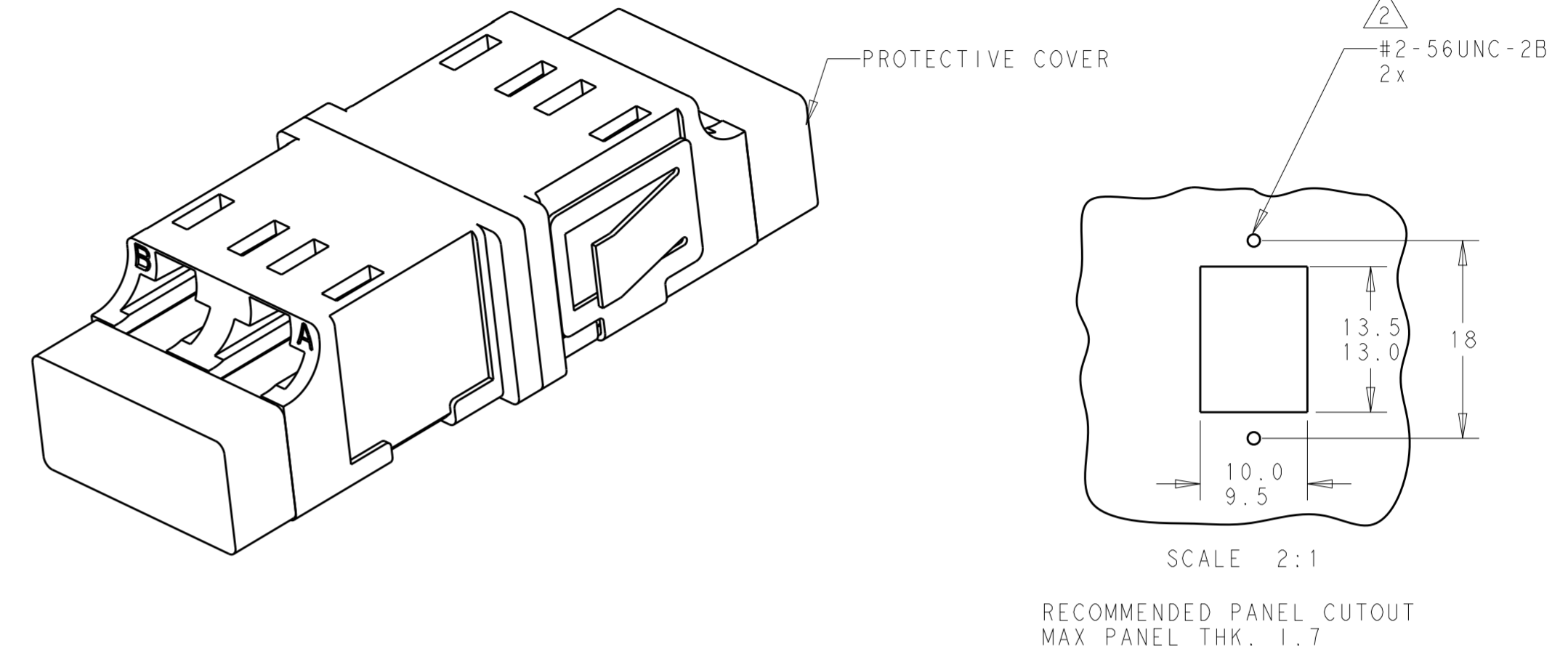
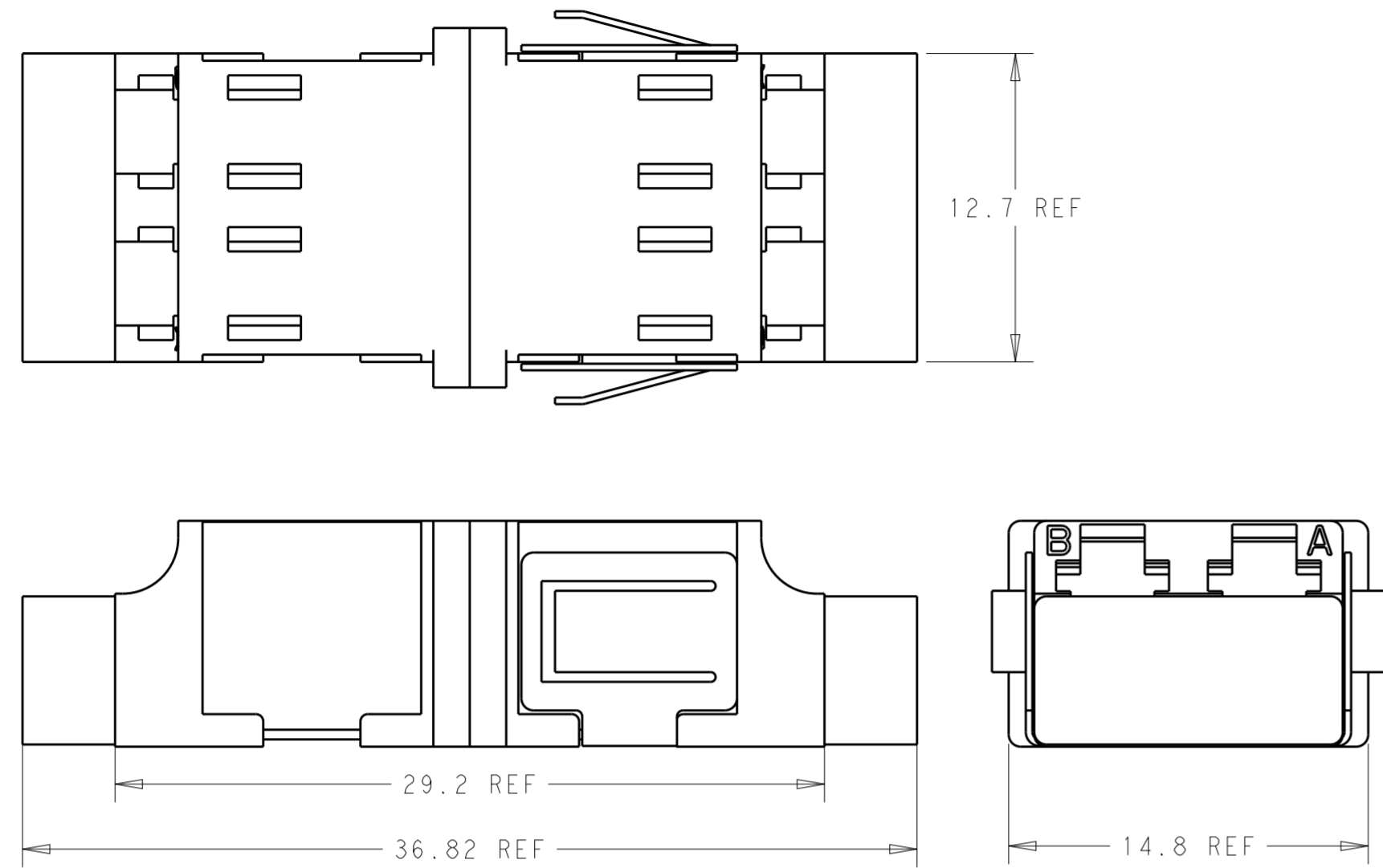


THIS DRAWING IS UNPUBLISHED. RELEASED FOR PUBLICATION 20
 © COPYRIGHT 20 ALL RIGHTS RESERVED.

LOC	DIST	REVISIONS			
P	LTR	DESCRIPTION	DATE	DWN	APVD
HG	-	B	ECR-15-006098	23APR2015	HZ RZ



1 MATERIAL:
 ADAPTER HOUSING: THERMOPLASTIC PPE-PS, COLOR: GREEN*
 PROTECTIVE COVER: TPE, COLOR: BLACK*
 ALIGNMENT SLEEVES: CERAMIC
 *UL 94 V-0 RATED AT QUALIFYING THICKNESS

2 HOLES NOLY APPLIED FOR FLANGED TYPES

GREEN	LC ADAPTER, FLANGED	2125019-2
GREEN	LC ADAPTER, FLANGELESS	2125019-1
ADAPTER COLOR	DESCRIPTION	PART NO.

THIS DRAWING IS A CONTROLLED DOCUMENT.		DWN 29NOV2010 Debbie Du	STE TE Connectivity	
DIMENSIONS: mm		CHK 29NOV2010 Hawk.Xue		
TOLERANCES UNLESS OTHERWISE SPECIFIED:		APVD 29NOV2010 Carlson.Tong	NAME LC ADAPTER ASSEMBLY, DUPLEX	
0 PLC ±		PRODUCT SPEC	SIZE CAGE CODE DRAWING NO RESTRICTED TO	
1 PLC ±		APPLICATION SPEC	A200779 C-2125019	
2 PLC ±		WEIGHT	SCALE A2 SHEET 1 OF 1 REV B	
3 PLC ±		CUSTOMER DRAWING		
4 PLC ±				
ANGLES ±				
FINISH				