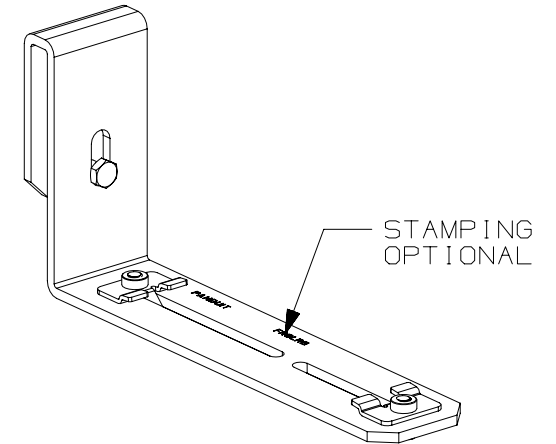
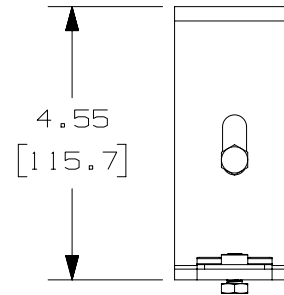
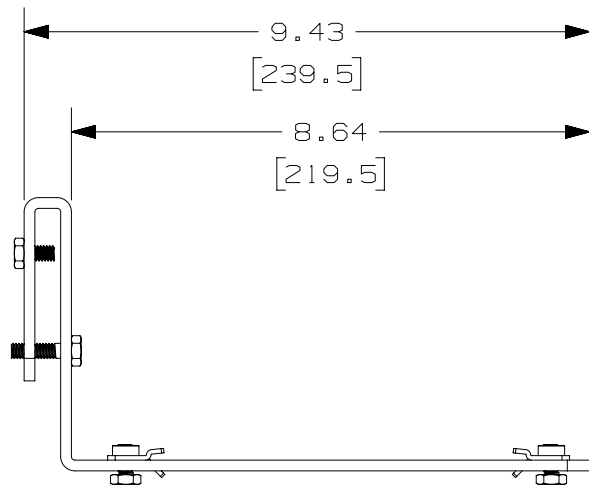
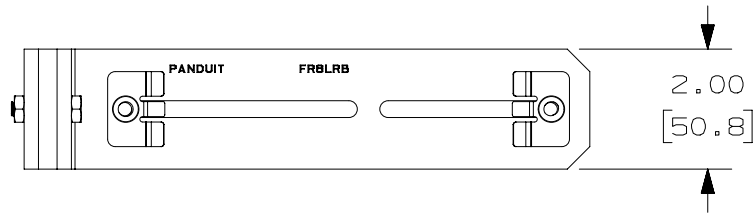


THIS COPY IS PROVIDED ON A RESTRICTED BASIS AND IS NOT TO BE USED IN ANY WAY DETRIMENTAL TO THE INTERESTS OF PANDUIT CORP.



NOTES:

1. SEE CURRENT CATALOG FOR ADDITIONAL PART SUFFIXES TO INDICATE PACKAGE QUANTITY.
2. THE FIBERRUNNER 4x4 AND 6x4 QUIKLOCK LADDER RACK BRACKET IS USED TO SUPPORT THE FIBERRUNNER 4x4 AND/OR 6x4 CABLE ROUTING SYSTEMS FROM A 3/8" x 1 1/2" (9.5 x 38.1) OR A 3/8" x 2" (9.5 x 50.8) LADDER RACK STRINGER WITHOUT THE USE OF THREADED ROD.
3. THE FIBERRUNNER 4x4 AND 6x4 QUIKLOCK LADDER RACK BRACKET INCLUDES:
ONE (1) BRACKET ASSEMBLY.
4. FINISH COLOR: BLACK (EXCEPT FOR HARDWARE)
5. DIMENSIONS IN PARENTHESES ARE IN METRIC.

PANDUIT PART NUMBER	WEIGHT
FR6LRB	1.63 LB/EACH (738g/EACH)

REV	DATE	BY	CHK	APR	DESCRIPTION	ECN
06A	9/12/19	MEX-JAGC	FWI	FWI	L. "STAMPING OPTIONAL" LABEL ADDED SEE PREVIOUS REVISION FOR HISTORY	V09002CN/00

TITLE FIBERRUNNER 4X4X AND 6X4 QUIKLOCK LADDER RACK BRACKET - FR6LRB CUSTOMER DRAWING						
ITEM REVISION NAME D37585BF/06					PANDUIT	
DATASET FILE NAME D37585BF_DC/06A						
DRAWING NUMBER: 37585-21					MATERIAL: N/A	
DRAWN BY MSO			DATE 05-11-00		CHK CVV	
SCALE NONE			THIRD ANGLE PROJECTION		SHT 1 OF 1	
REV			DATE		SIZE A	

DI10100DA/20