

THIS DRAWING IS UNPUBLISHED.

RELEASED FOR PUBLICATION

© COPYRIGHT 19 BY -

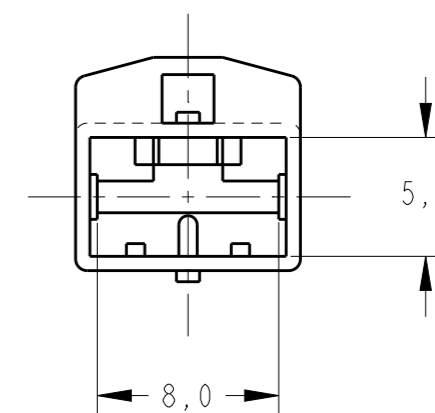
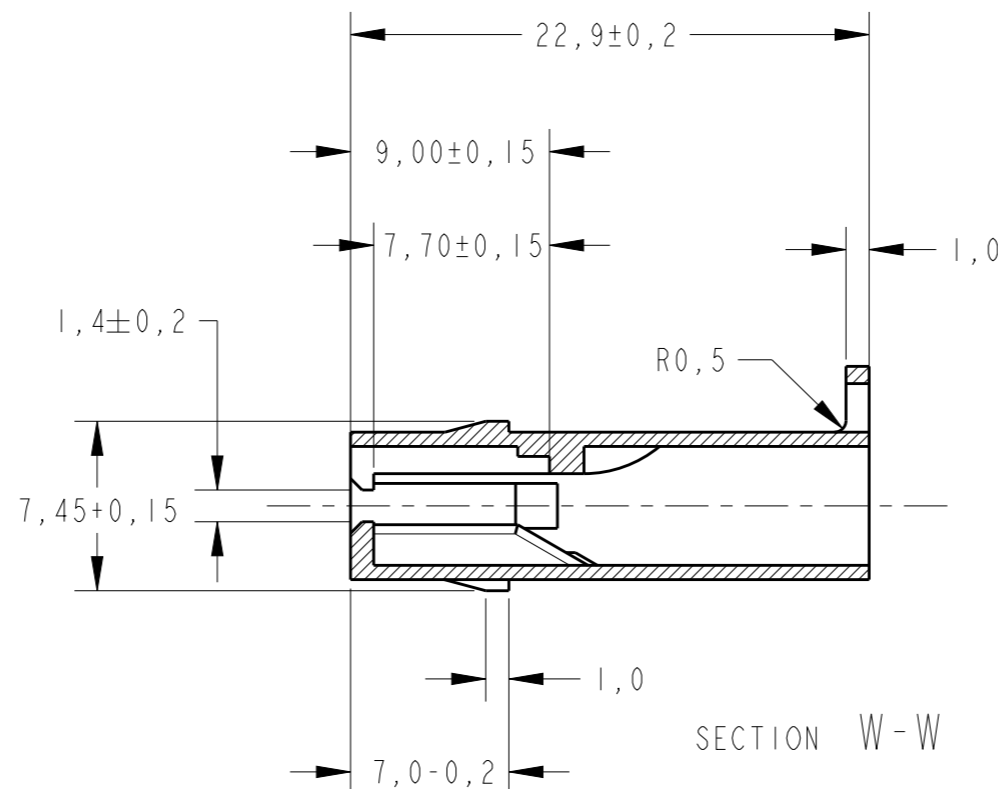
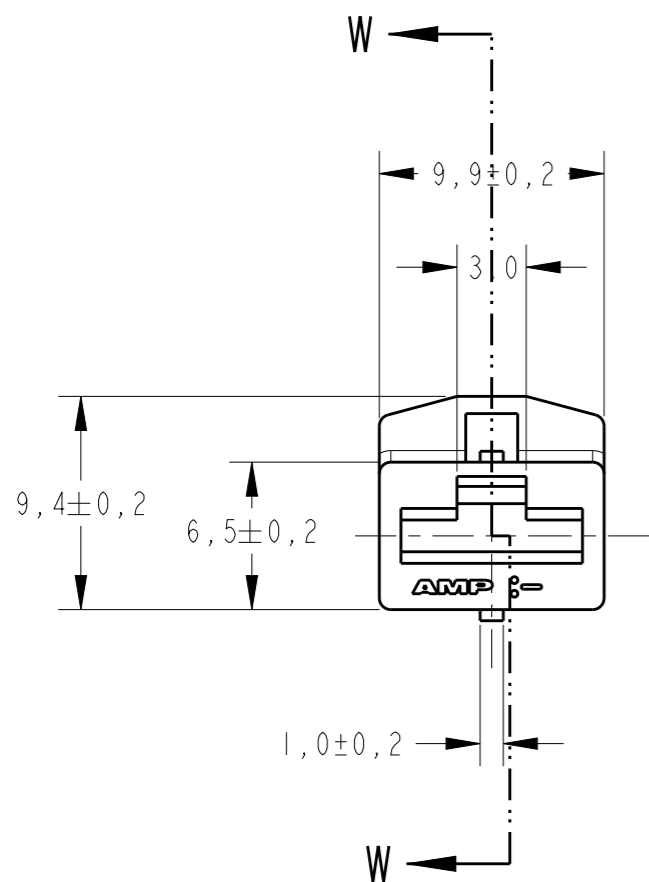
ALL RIGHTS RESERVED.

creo
Creo Parametric 2.0
**DO NOT REVISE
EXCEPT BY CAD**

REVISIONS

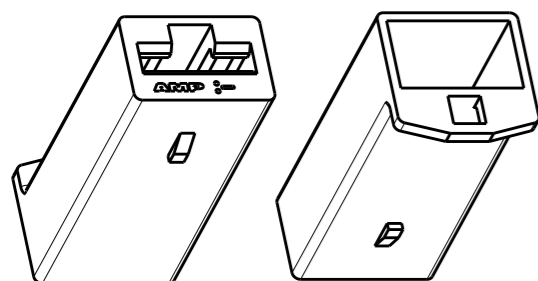
| P | LTR | DESCRIPTION | DATE | DWN | APVD |
|---|-----|--------------------------|-----------|-----|------|
| | B2 | REVISED BY ECO 16-006714 | 11MAY2016 | HC | WLS |

| GRAVAÇÃO MARKING |
|---|
| LOGOTIPO AMP AMP LOGO |
| CÓDIGO PAÍS PRODUTOR MANUFACTURER COUNTRY CODE |
| NÚMERO CAVIDADE CAVITY NUMBER |




1 - INTERCAMBIÁVEL COM PN 180905
- INTERCHANGEABLE WITH PN 180905

| | | | | |
|--------------|----------------|----------|-------------|----|
| OBSOLETE | LARANJA/ORANGE | | | 9 |
| OBSOLETE | VIOLETA/VIOLET | | | 8 |
| OBSOLETE | CINZA/GRAY | | | 7 |
| OBSOLETE | MARROM/BROWN | | | 6 |
| OBSOLETE | PRETO/BLACK | | | 5 |
| OBSOLETE | AMARELO/YELLOW | | | 4 |
| OBSOLETE | AZUL/BLUE | | | 3 |
| OBSOLETE | VERDE/GREEN | | | 2 |
| — | VERMELHO/RED | | | -1 |
| — | NATURAL | P. A 6.6 | 880305 | -0 |
| RAW MAT'L NO | FINISH | MATERIAL | PART NUMBER | |



PERSPECTIVE VIEW
SCALE 2:1

| | | | | |
|--|---------------------|-----------------------------------|---|--------------------|
| THIS DRAWING IS A CONTROLLED DOCUMENT. | | DWN N.C. LAPRESA 09DEC99 |  TE Connectivity HOUSING, SINGLE CIRCUIT .250S.RCPT | |
| DIMENSIONS: mm | | CHK P.L. FARIA 09DEC99 | | |
| TOLERANCES UNLESS OTHERWISE SPECIFIED: | | APVD F. ALEXANDRONI 09DEC99 | | |
| 0 PLC ± 1 PLC ±0,5 2 PLC ± 3 PLC ± 4 PLC ± ANGLES ±1° | | PRODUCT SPEC - | | |
| MATERIAL SEE TABLE | FINISH SEE TABLE | APPLICATION SPEC - | NAME - | RESTRICTED TO - |
| Customer Drawing | | WEIGHT - | SIZE A3 | CAGE CODE - |
| | | | DRAWING NO C-880305 | SCALE 3:1 |
| | | | SHEET 1 OF 1 | REV B2 |