

VIP-CAB-FLK40-0,14/... - Cable

2318855

<https://www.phoenixcontact.com/pc/products/2318855>

Please be informed that the data shown in this PDF document is generated from our online catalog. Please find the complete data in the user documentation. Our general terms of use for downloads are valid.



Round cable set; connection 1: IDC/FLK socket strip (1x 40-position, 180 °-out put); connection 2: IDC/FLK socket strip (1x 40-position, 90 °-out put); cable length: variable

Your advantages

- Available in any choice of length
- 26-pos. ... 50-pos.
- Individual serial number
- Connector in accordance with IEC 60603-13
- 1:1 connection

Commercial data

Item number	2318855
Packing unit	1 pc
Minimum order quantity	5 pc
Note	Made to order (non-returnable)
Product key	CK2331
Catalog page	Page 582 (C-5-2017)
Customs tariff number	85444290
Country of origin	DE

VIP-CAB-FLK40-0,14/... - Cable



2318855

<https://www.phoenixcontact.com/pc/products/2318855>

Technical data

Product properties

Product type	System cable
--------------	--------------

Environmental and real-life conditions

Ambient conditions

Degree of protection	IP00
Degree of protection (Installation location)	≥ IP54 (Installation location)
Ambient temperature (operation)	-40 °C ... 70 °C (fixed installation) -10 °C ... 70 °C (flexible installation)
Ambient temperature (storage/transport)	-40 °C ... 80 °C
Altitude	≤ 2000 m

Electrical properties

Operating voltage (AC)	≤ 30 V AC
Operating voltage (DC)	≤ 60 V DC
Nominal operating mode	100% operating factor
Current (Per path, 50°C)	≤ 1 A (Uncoiled, see derating)
Current (Per path, 70°C)	≤ 0.6 A (Uncoiled, see derating)

Cable/line

Cable length	variable
--------------	----------

40X0.14 [PVC]

UL AWM Style	2464/1061
Number of positions	40
Shielded	no
Cable type	40X0.14 [PVC]
Conductor type	Round cable set
Conductor structure signal line	7x 0.16 mm
AWG signal line	26
Conductor cross section	40x 0.14 mm ²
Wire diameter incl. insulation	1 mm ±0.03 mm
External cable diameter	9.9 mm ±0.4 mm
Outer sheath, material	Semi-rigid PVC
External sheath, color	gray
Conductor material	Tin-plated Cu litz wires
Cable resistance	≤ 145 Ω/km (20 °C)
Insulation resistance	≥ 20 MΩ*km (20 °C)
Smallest bending radius, fixed installation	82 mm
Smallest bending radius, movable installation	155 mm
Max. bending cycles	5000 (at a radius of ≥ 15x outside diameter)

VIP-CAB-FLK40-0,14/... - Cable



2318855

<https://www.phoenixcontact.com/pc/products/2318855>

Halogen-free	no
Flame resistance	IEC 60332-1-2 (raw cable)
	VDE 0842, Part 332-1-2 (raw cable)
	IEC 60332-3-22 (raw cable)
	UL VW-1
	CSA FT-1
Resistance to oil	can withstand occasional splashes (raw cable)

Connection data

Connection 1

Connection in acc. with standard	based on IEC 60603-13
Connection method	IDC/FLK socket strip
Number of connections	1
Number of positions	40
Exit angle	180 °
Insertion/withdrawal cycles	> 50
Pitch	2.54 mm

Connection 2

Connection in acc. with standard	based on IEC 60603-13
Connection method	IDC/FLK socket strip
Number of connections	1
Number of positions	40
Exit angle	90 °
Insertion/withdrawal cycles	> 50
Pitch	2.54 mm

Notes

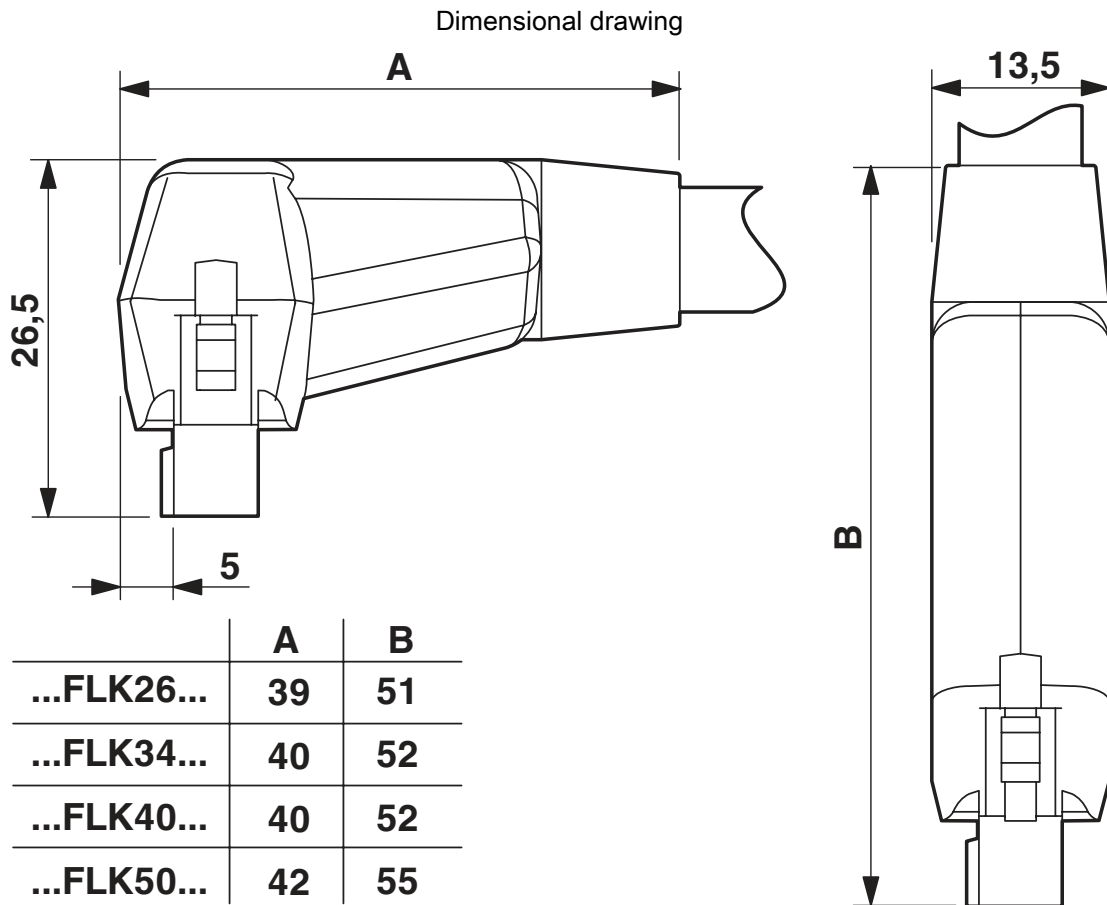
General	For proper use, the specifications of the installation directive (see Downloads) must be observed.
---------	--

VIP-CAB-FLK40-0,14/... - Cable

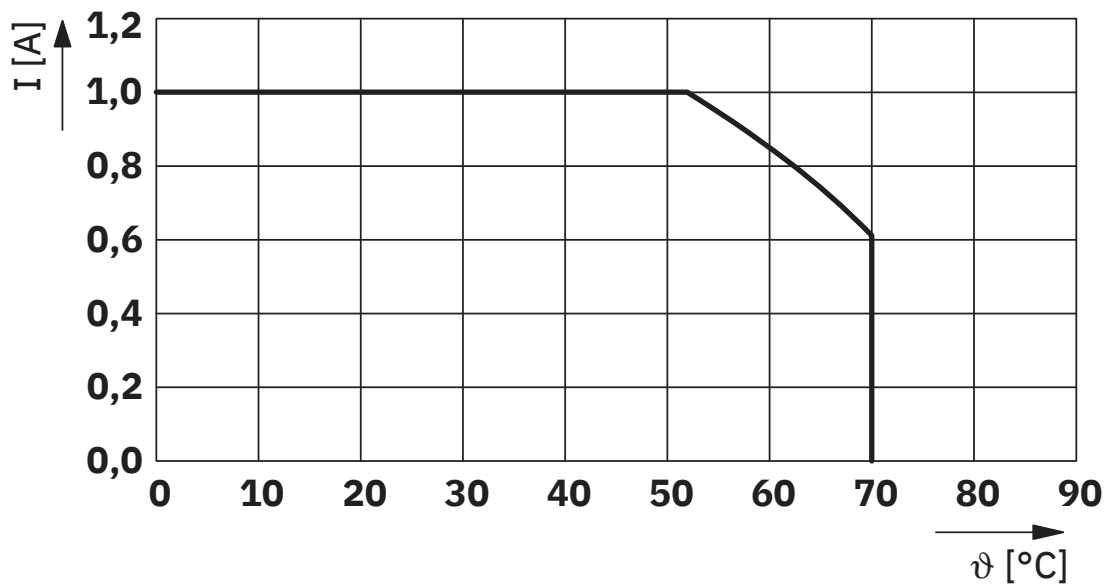
2318855

<https://www.phoenixcontact.com/pc/products/2318855>

Drawings



Diagram



Maximum permissible current per path in uncoiled state

VIP-CAB-FLK40-0,14/... - Cable



2318855

<https://www.phoenixcontact.com/pc/products/2318855>

Approvals

To download certificates, visit the product detail page: <https://www.phoenixcontact.com/pc/products/2318855>



EAC

Approval ID: RU*-DE.HB*35.B00385



UL Listed

Approval ID: FILE E 238705

	Nominal voltage U_N	Nominal current I_N	Cross section AWG	Cross section mm^2
	125 V	1 A	-	-



cUL Listed

Approval ID: FILE E 238705

	Nominal voltage U_N	Nominal current I_N	Cross section AWG	Cross section mm^2
	125 V	1 A	-	-

cULus Listed

VIP-CAB-FLK40-0,14/... - Cable



2318855

<https://www.phoenixcontact.com/pc/products/2318855>

Classifications

ECLASS

ECLASS-11.0	27242220
ECLASS-12.0	27242220
ECLASS-13.0	27242220

ETIM

ETIM 8.0	EC000237
----------	----------

UNSPSC

UNSPSC 21.0	26121600
-------------	----------

VIP-CAB-FLK40-0,14/... - Cable

2318855

<https://www.phoenixcontact.com/pc/products/2318855>



Environmental product compliance

China RoHS	Environmentally friendly use period: unlimited = EFUP-e
	No hazardous substances above threshold values

VIP-CAB-FLK40-0,14/... - Cable

2318855

<https://www.phoenixcontact.com/pc/products/2318855>



Accessories

KME - Cable marker carrier

0807083

<https://www.phoenixcontact.com/pc/products/0807083>



Cable marker carrier, white, unlabeled, mounting type: Assembly with cable ties, cable diameter: > 5 mm, lettering field size: 20 x 8 mm

Phoenix Contact 2023 © - all rights reserved
<https://www.phoenixcontact.com>

PHOENIX CONTACT GmbH & Co. KG
Flachsmarktstraße 8
D-32825 Blomberg
+49 (0) 5235-3 00
info@phoenixcontact.com