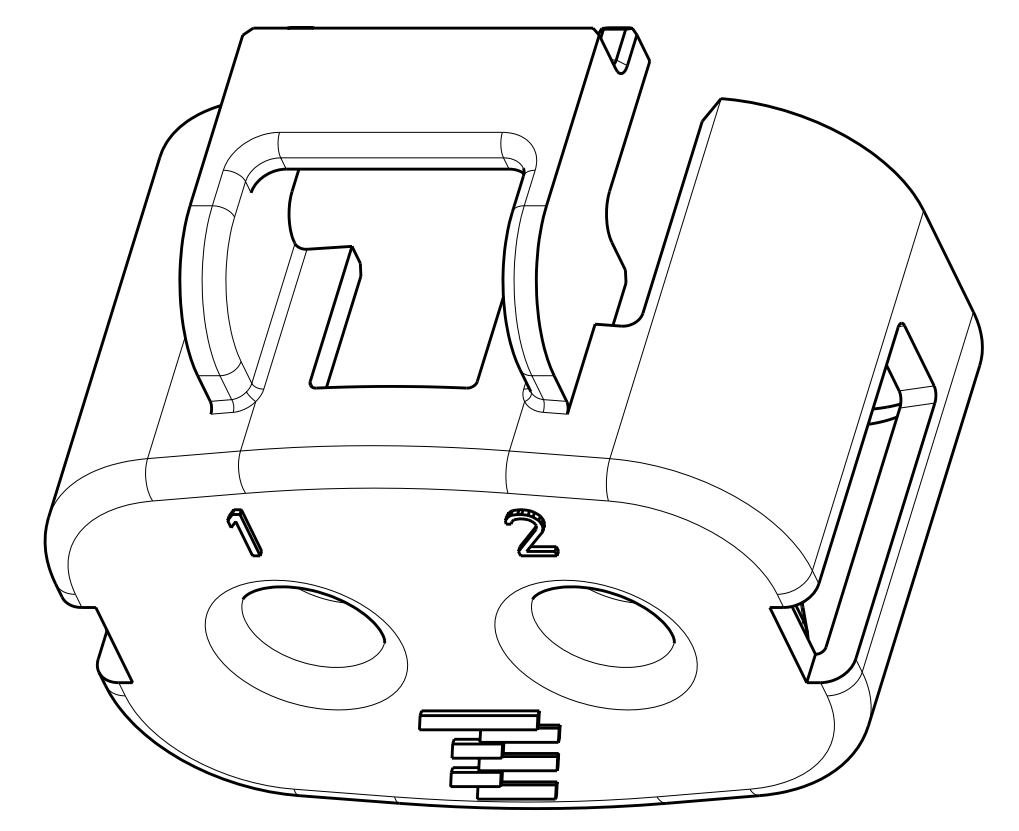
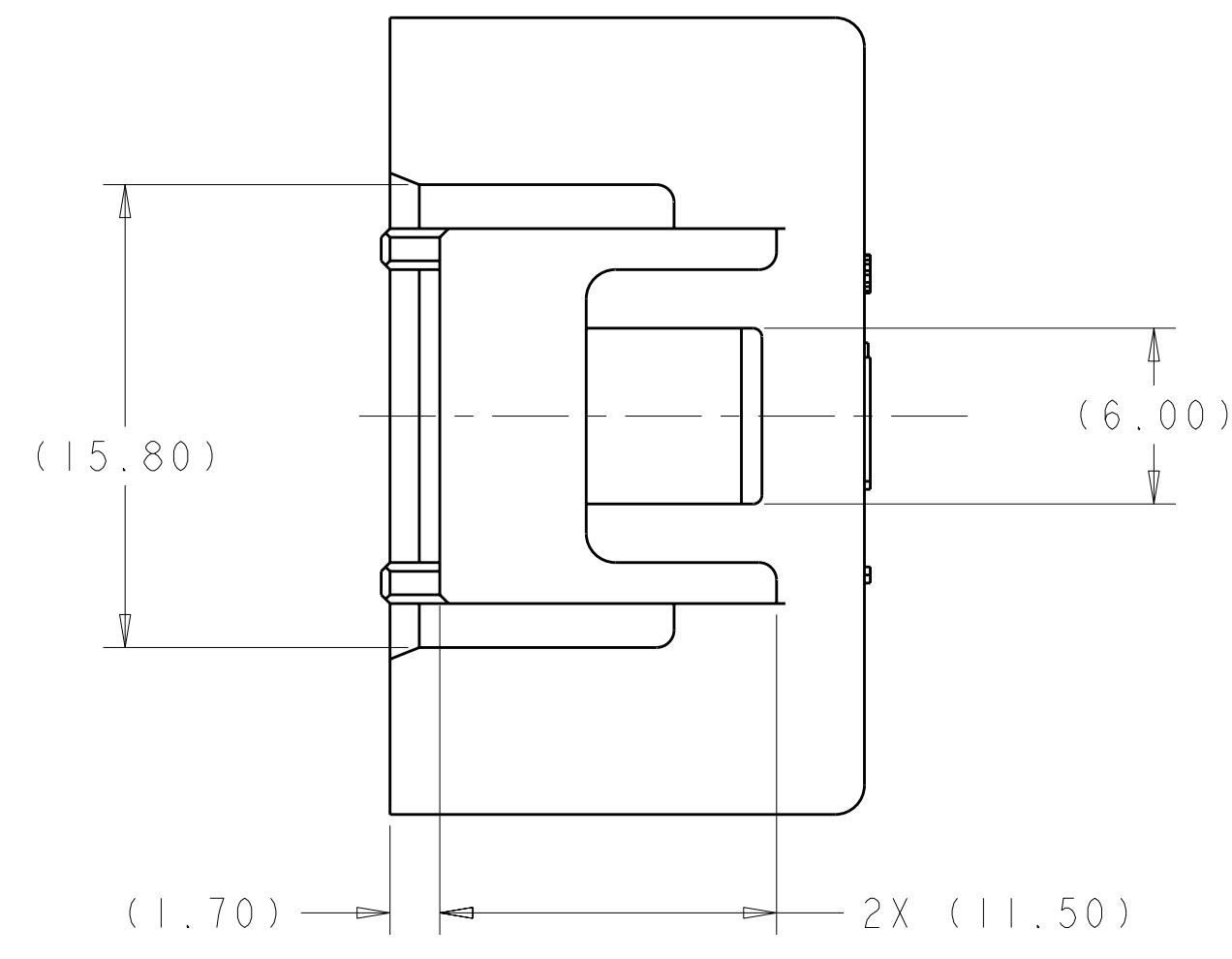
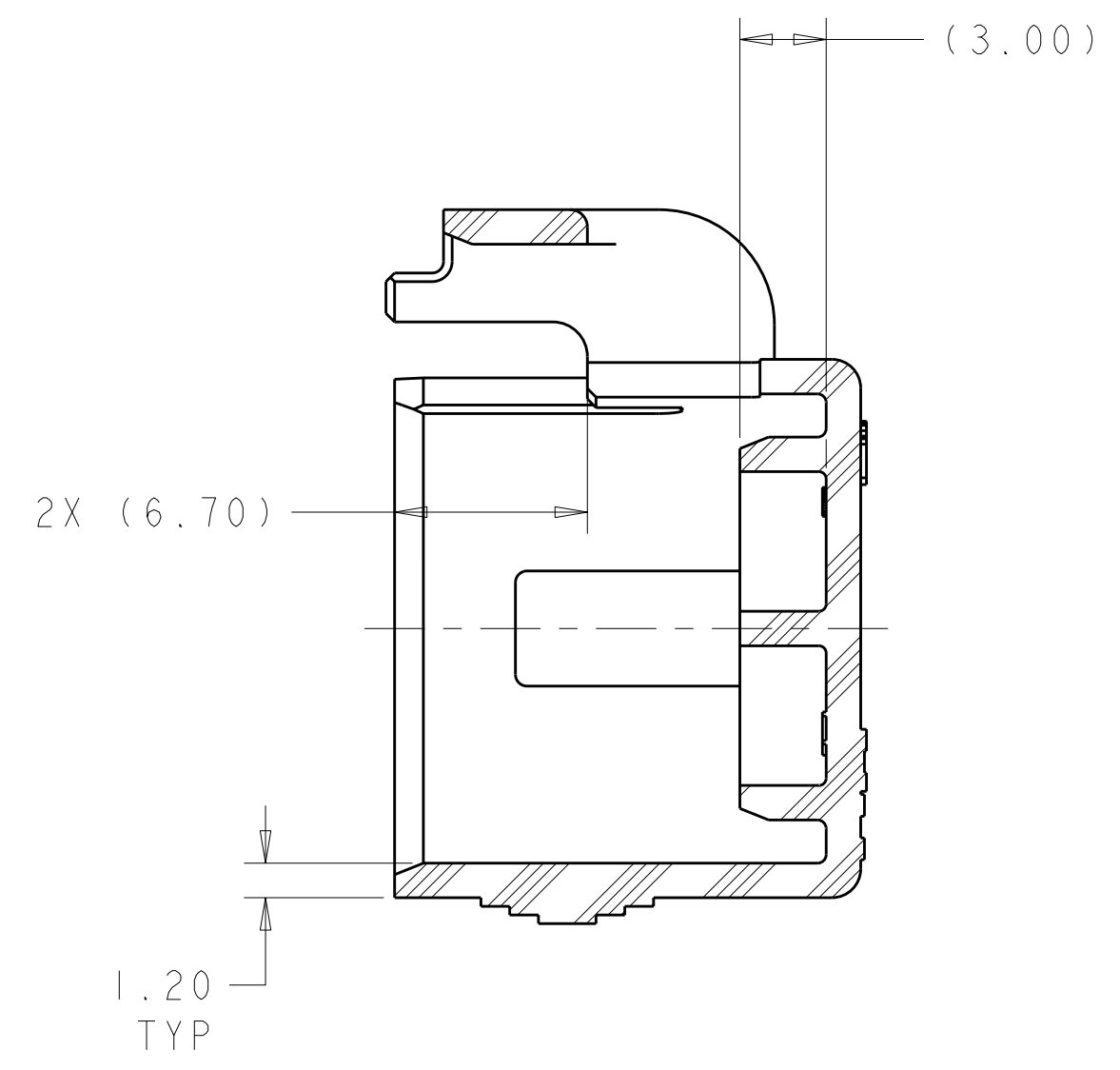
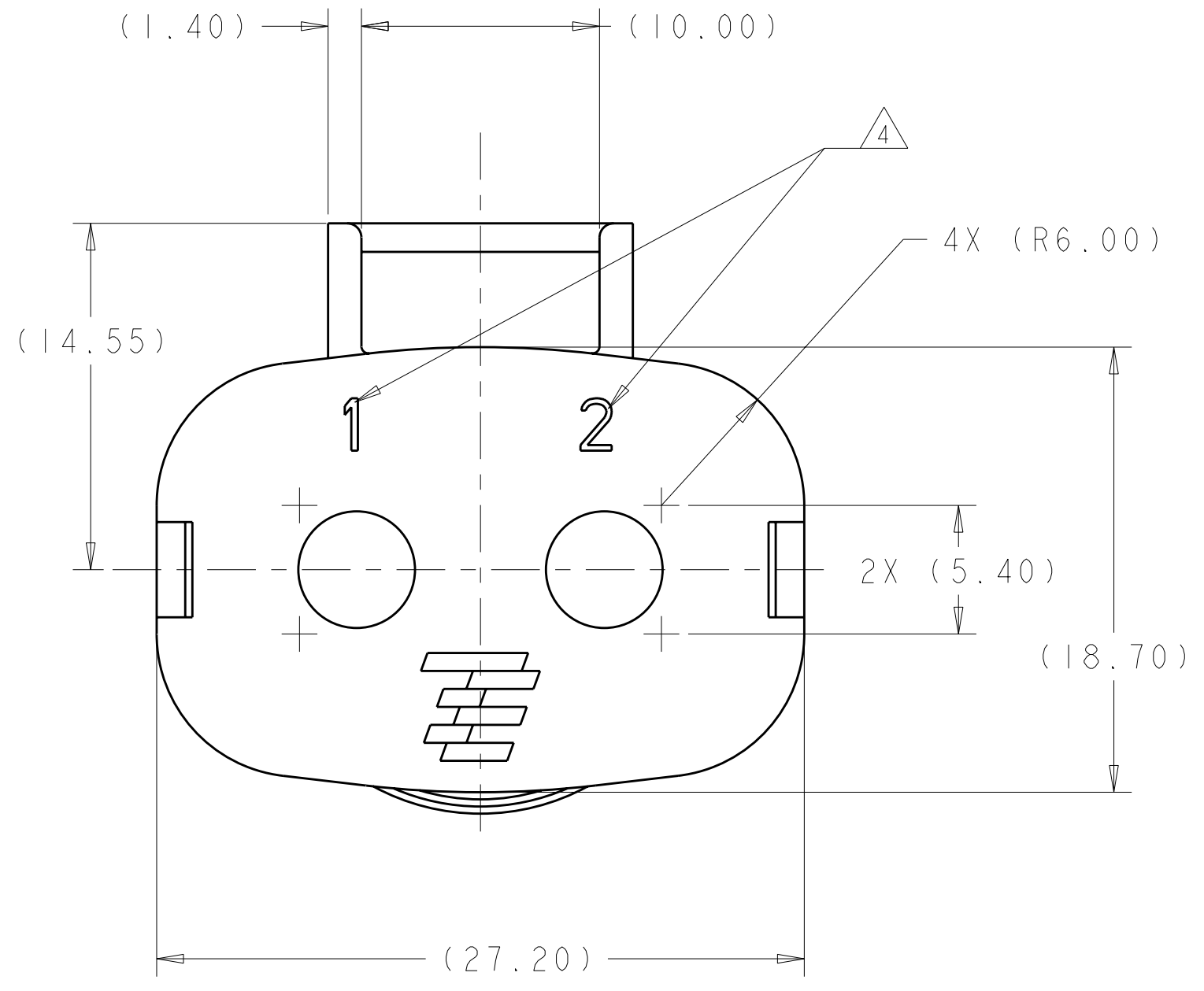
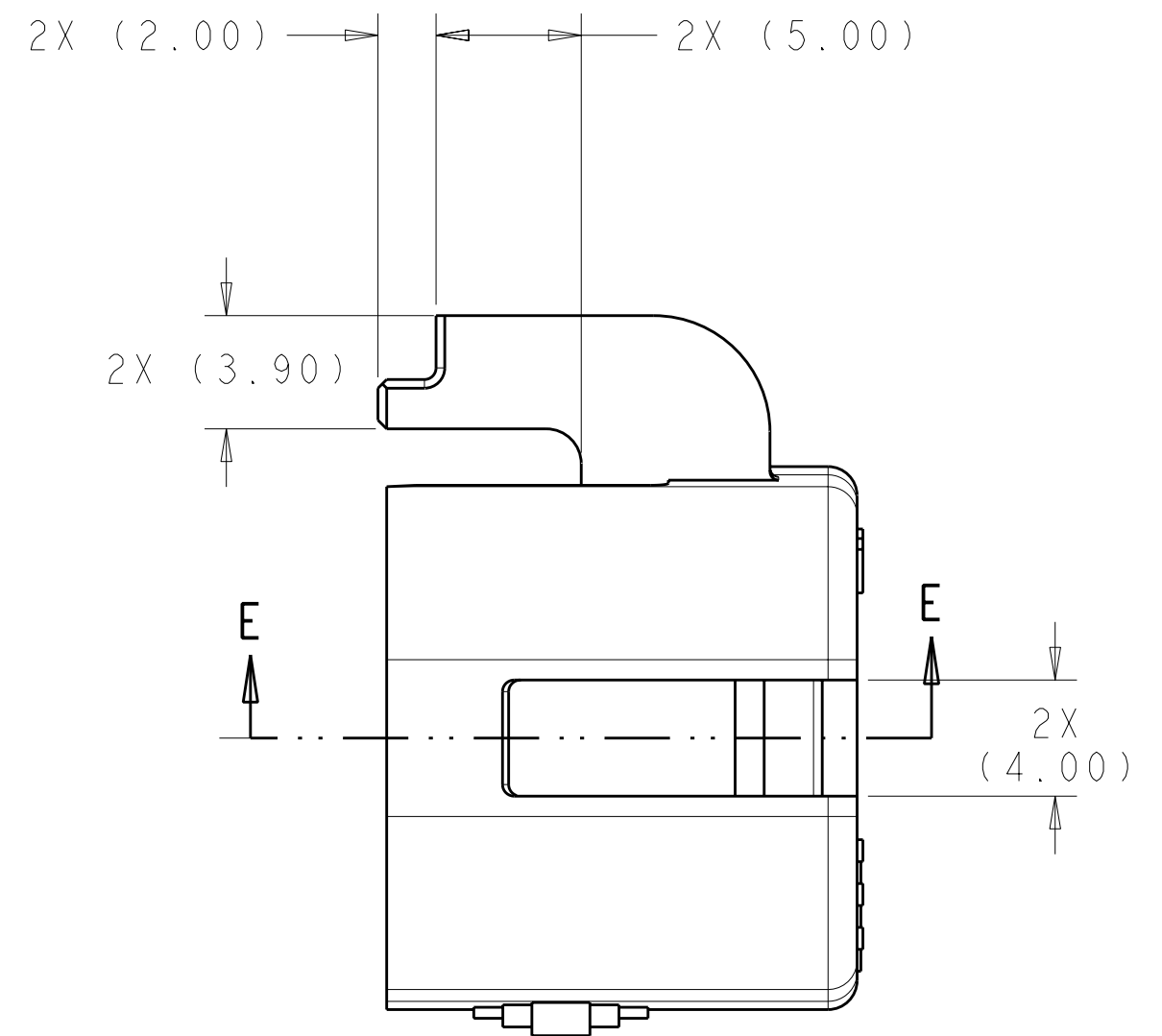
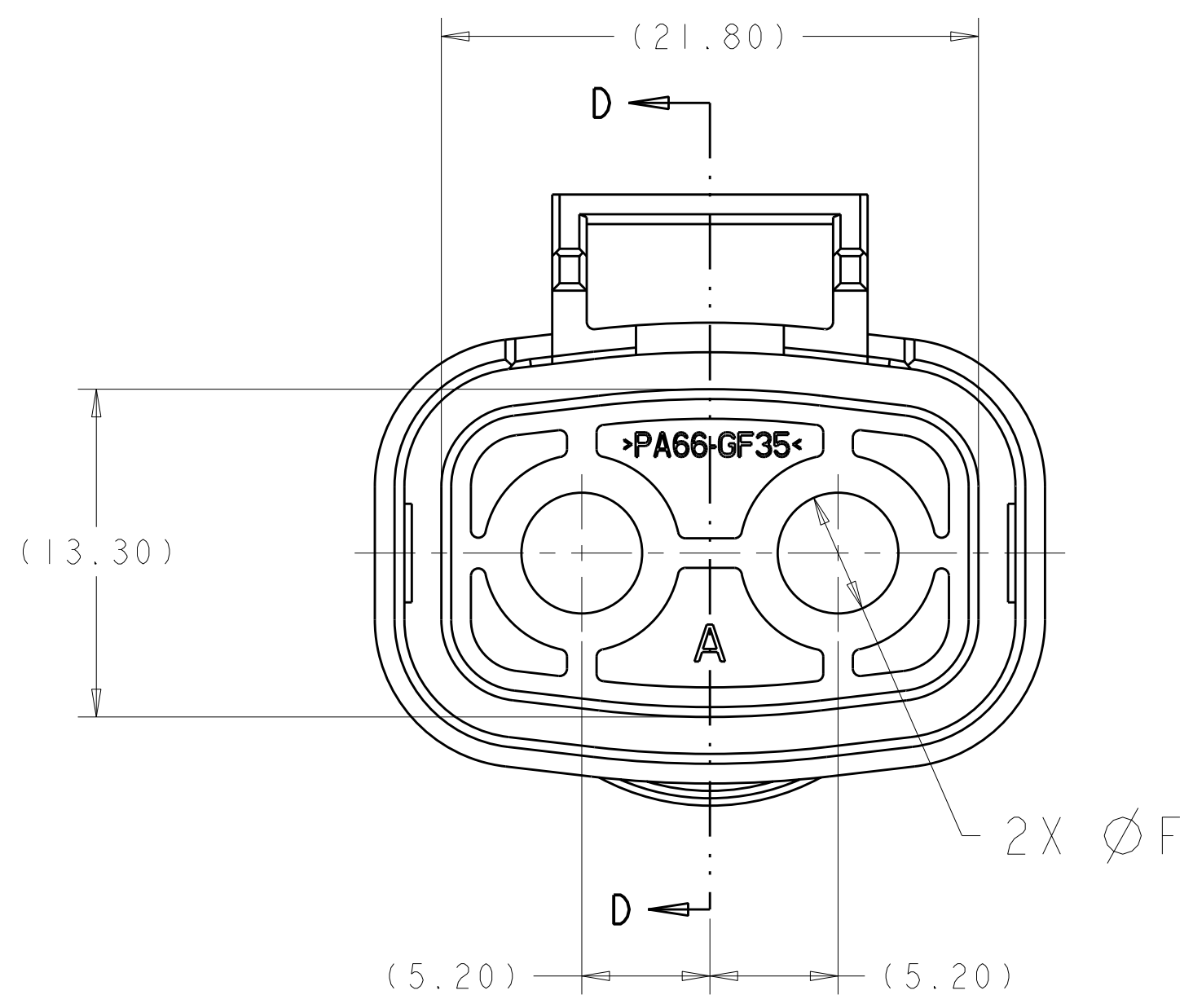


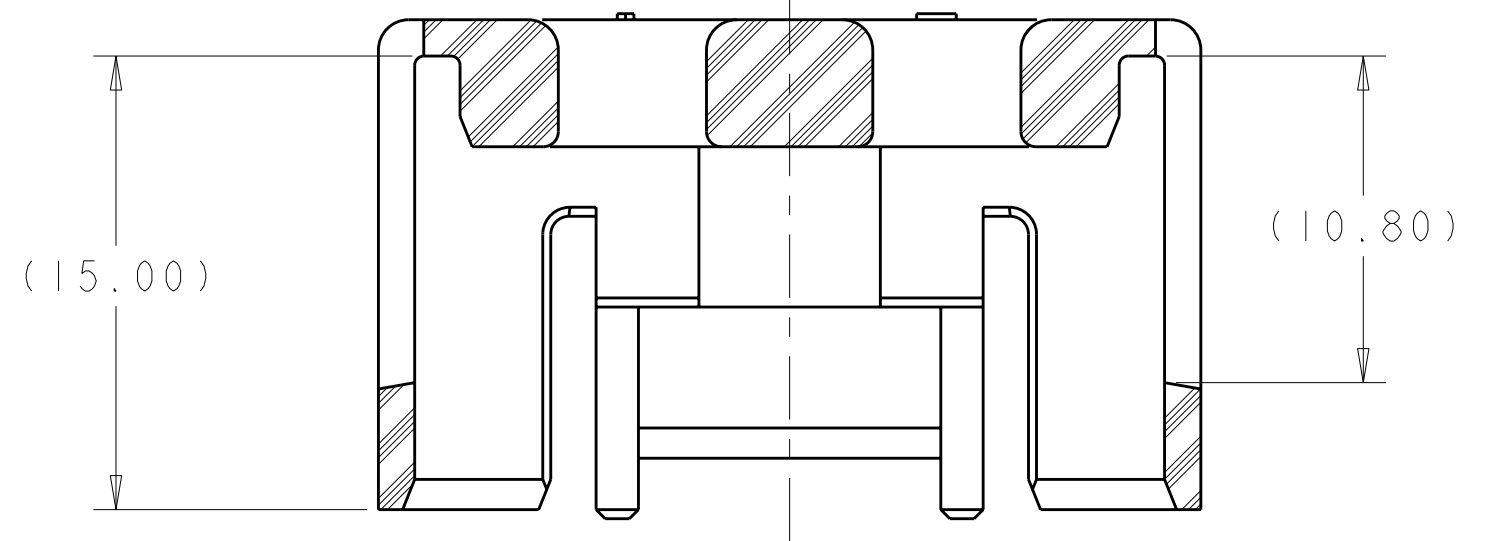
LOC	DIST	REVISIONS			
P	LTB	DESCRIPTION	DATE	OWN	APVD
B1		ECO-11-006038	23MAR2011	DS	AT



SECTION D-D
REMOVED



- △ MATERIAL :
TYPE : PA66 35%GF
COLOR : SEE TABLE
- 2. FEATURES DENOTED BY REFERENCE DIMENSIONS
MUST BE INSPECTED FOR PRESENCE
- 3. PART MUST BE FREE OF EXCESSIVE FLASH, MIS-MATCH,
SINK MARKS, OR OTHER VISUAL IMPERFECTIONS THAT
MAY AFFECT PRODUCT FIT FORM OR FUNCTION
- △ 4 CIRCUIT ID
- △ 5 PRELIMINARY PART—NOT RELEASED FOR PRODUCTION



SECTION E-E
REMOVED, ROTATED 90° CCW

COLOR	MIN	MAX	F	DESCRIPTION	PART NO
DK GRAY	5.48	6.10	6.20	CABLE SEAL RETAINER, SIZE C	1587827-3
ORANGE	4.76	5.48	5.60	CABLE SEAL RETAINER, SIZE B	1587827-2
BLACK	4.11	4.76	4.90	CABLE SEAL RETAINER, SIZE A	1587827-1

THIS DRAWING IS A CONTROLLED DOCUMENT.		OWN D SIMPSON 05JUN2009	APVD A TYLER 05JUN2009	TE Connectivity CABLE SEAL RETAINER HVA280-2P1
DIMENSIONS:	TOLERANCES UNLESS OTHERWISE SPECIFIED:	PRODUCT SPEC 108-2394 APPLICATION SPEC 114-13259		
mm	9 PLC ± 1 PLC ±0.2 3 PLC ±0.10 4 PLC ±0.100 ANGLES ±0.0001°	WEIGHT 114-13259		SIZE CAGE CODE DRAWING NO A100779C=1587827
MATERIAL		FINISH		RESTRICTED TO CUSTOMER DRAWING SCALE 4:1 SHEET 1 OF 1 REV B1