

G-INS-N3/8-S68L-PNES-BK - Cable gland



1411156

<https://www.phoenixcontact.com/us/products/1411156>

Please be informed that the data shown in this PDF document is generated from our online catalog. Please find the complete data in the user documentation. Our general terms of use for downloads are valid.



Cable gland, material for screw connection: PA, external cable diameter 5 mm ... 10 mm, shielding: no, connecting thread: 3/8" NPT, color: jet black RAL 9005

Your advantages

- Plastic material conforms to UL 746C f1

Commercial data

Item number	1411156
Packing unit	1 pc
Minimum order quantity	10 pc
Sales key	BF68
Product key	BF7DCX
Catalog page	Page 684 (C-4-2015)
GTIN	4046356922920
Weight per piece (including packing)	10.6 g
Weight per piece (excluding packing)	10.16 g
Customs tariff number	39269097
Country of origin	TR

G-INS-N3/8-S68L-PNES-BK - Cable gland

1411156

<https://www.phoenixcontact.com/us/products/1411156>

Technical data

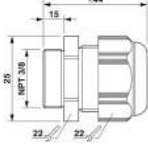
Mounting

Assembly instructions	1) Mount screw connection support in the housing using the correct torque 2) Insert cable 3) Tighten union nut using the correct torque
-----------------------	---

Product properties

Product type	Full screw connection
No. of conductors	1
Manufacturer	BIMED
Manufacturer Designation	BSPA-21
Shielded	no

Dimensions

Dimensional drawing	
Length	44 mm
Length of the connecting thread	15 mm
Wrench size, union nut	22 mm
Wrench size, support	22 mm
Hexagon angular dimension	25 mm
Thread type connection side	3/8" NPT

Material specifications

Material	PA
Flammability rating according to UL 94	V2
Seal material Cable seal	CR
Material for screw connection	PA

Cable/line

External cable diameter ()	5 mm ... 10 mm
	5 mm ... 10 mm (for UL 514 B)
Halogen-free	no

Environmental and real-life conditions

Ambient conditions

Degree of protection	IP68 (5 bar / 0.5 h)
	IP66
Ambient temperature (operation)	-40 °C ... 100 °C (static)

G-INS-N3/8-S68L-PNES-BK - Cable gland

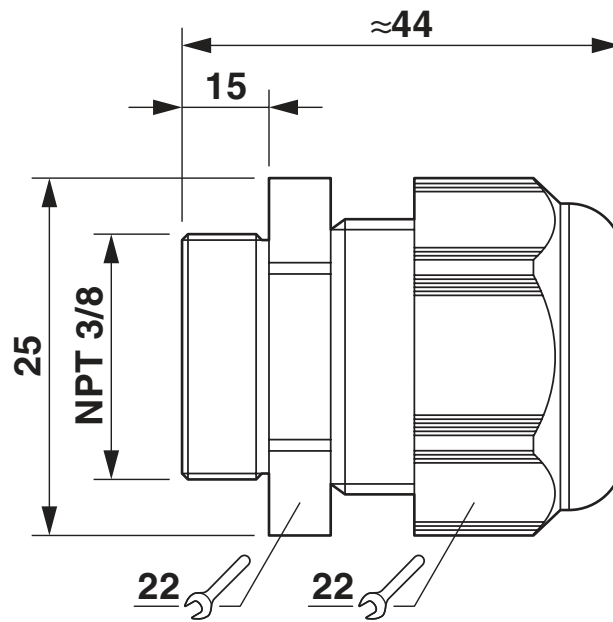
1411156

<https://www.phoenixcontact.com/us/products/1411156>



Drawings

Dimensional drawing



G-INS-N3/8-S68L-PNES-BK - Cable gland



1411156

<https://www.phoenixcontact.com/us/products/1411156>

Approvals

To download certificates, visit the product detail page: <https://www.phoenixcontact.com/us/products/1411156>



cUL Recognized
Approval ID: E199260



UL Recognized
Approval ID: E199260

cULus Recognized

G-INS-N3/8-S68L-PNES-BK - Cable gland



1411156

<https://www.phoenixcontact.com/us/products/1411156>

Classifications

ECLASS

ECLASS-11.0	27144432
ECLASS-12.0	27140801
ECLASS-13.0	27140801

ETIM

ETIM 8.0	EC000441
----------	----------

UNSPSC

UNSPSC 21.0	39121300
-------------	----------

G-INS-N3/8-S68L-PNES-BK - Cable gland



1411156

<https://www.phoenixcontact.com/us/products/1411156>

Environmental product compliance

China RoHS	Environmentally friendly use period: unlimited = EFUP-e
	No hazardous substances above threshold values

G-INS-N3/8-S68L-PNES-BK - Cable gland



1411156

<https://www.phoenixcontact.com/us/products/1411156>

Accessories

A-INL-NPT3/8-P-BK - Counter nut

1411236

<https://www.phoenixcontact.com/us/products/1411236>

Counter nut, for threads 3/8"-NPT, color: jet black RAL 9005



SEALING PLUG 8X16 RD - Closing cap

1400257

<https://www.phoenixcontact.com/us/products/1400257>

Closing cap, color: red



Phoenix Contact 2023 © - all rights reserved

<https://www.phoenixcontact.com>

Phoenix Contact USA

586 Fulling Mill Road

Middletown, PA 17057, United States

(+717) 944-1300

info@phoenixcon.com