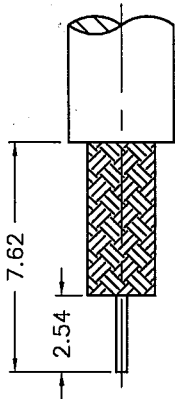


NOTES:

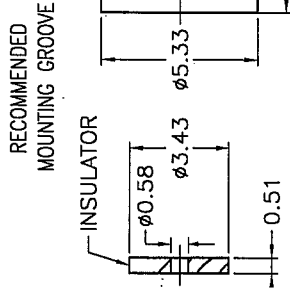
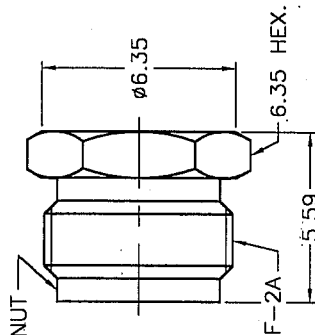
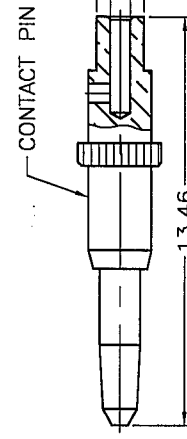
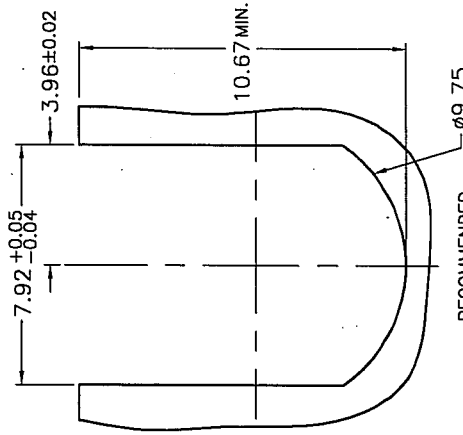
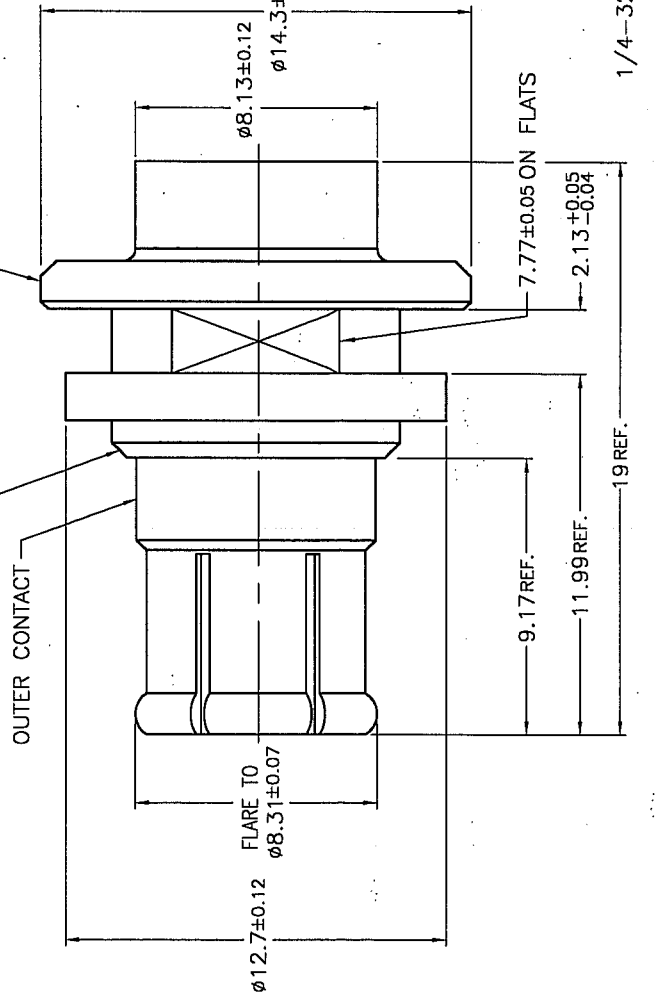
1. MATERIALS AND FINISHES:
 BODY, OUTER CONTACT, FERRULE, NUT - BRASS, GOLD PLATING
 CONTACT - BERYLLIUM COPPER, GOLD PLATING
 INSULATOR - PTFE
2. ELECTRICAL:
 A. IMPEDANCE: 50 OHM
 B. FREQUENCY RANGE: DC 0-3 GHz
 C. DIELECTRIC WITHSTANDING VOLTAGE: 500 VRMS, MIN.
3. MECHANICAL:
 A. DURABILITY: 500 CYCLES MIN.
 B. TEMPERATURE RANGE: - 65°C to +165°C

REMARK : 1. OUTER CONTACT MUST HOLD 6 in-oz TORQUE AND 25 lbs. PUSH OUT FORCE
 2. NUT TORQUE TO 15 IN-LB MIN.



RECOMMENDED CABLE STRIPPING DIM'S

FORM OVER ALL AROUND.
 DO NOT BREAK THRU PLT.



REVISIONS

REV	DESCRIPTION	DATE	ECO	APPR
A	RELEASE TO MFG.	09/29/05	45739	KATE
B	A1 SLOT 2.13 ± 0.05 WAS : 2.13	11/16/05		JEFFERY
C	ITEM 2 WAS CHANGED \RD-DWG05111601G SEE SHEET 1	08/24/06	48208	CISSY

31-6244

DRAWING NO.
 THIRD ANGLE PROJ.

CUSTOMER OUTLINE DRAWING
 ALL OTHER SHEETS ARE FOR INTERNAL USE ONLY

DRAWN		DATE		TITLE		MATERIAL	
ENGINEER	Gissy	DATE	24-Aug-06	BNC JACK FOR COMPOSITE CABLE		Amphenol RF Danbury, CT, USA	
APPROVED	<i>[Signature]</i>	DATE	24-Aug-06	ITEM NO. 31-6244		Tainan, Taiwan	
CAD FILE	F:\DWG\CNPD\31\6244-BSZ	DATE	25-08-06	SCALE: 4/1		Shenzhen, China	
REFERENCE		DRAWING NO.		SHEET		REV	
FINISH		74868		4/1		2 OF 2	
UNLESS OTHERWISE SPECIFIED, DIMENSIONS ARE IN INCHES AND TOLERANCES ARE: 0.5 - 6mm ±0.1mm 6 - 30mm ±0.2mm 30 - 120mm ±0.3mm ANGLES ±1°		DRAWING NO. 31-6244		SHEET 4/1		REV C	
NOTICE - These drawings, specifications, or other data (1) are, and remain the property of Amphenol Corp. (2) must be returned upon request; and (3) are confidential and not to be disclosed to any person other than those to whom they are given by Amphenol Corp. The furnishing of these drawings, specifications, or other data by Amphenol Corp., or to any other person in any manner, including, but not limited to, for the purpose of manufacturing, use or sale of any product, or for any other purpose, without the prior written consent of Amphenol Corp., is prohibited. Amphenol Corp. reserves the right to modify its drawings, specifications, or other data at any time without notice.		DRAWING NO. 31-6244		SHEET 4/1		REV C	