

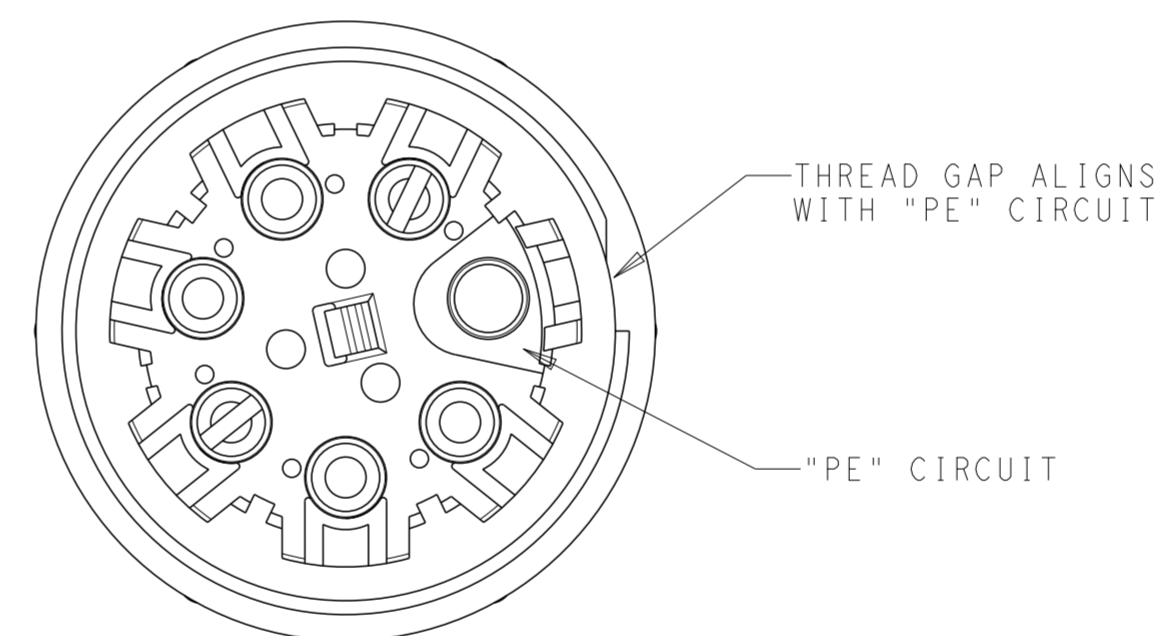
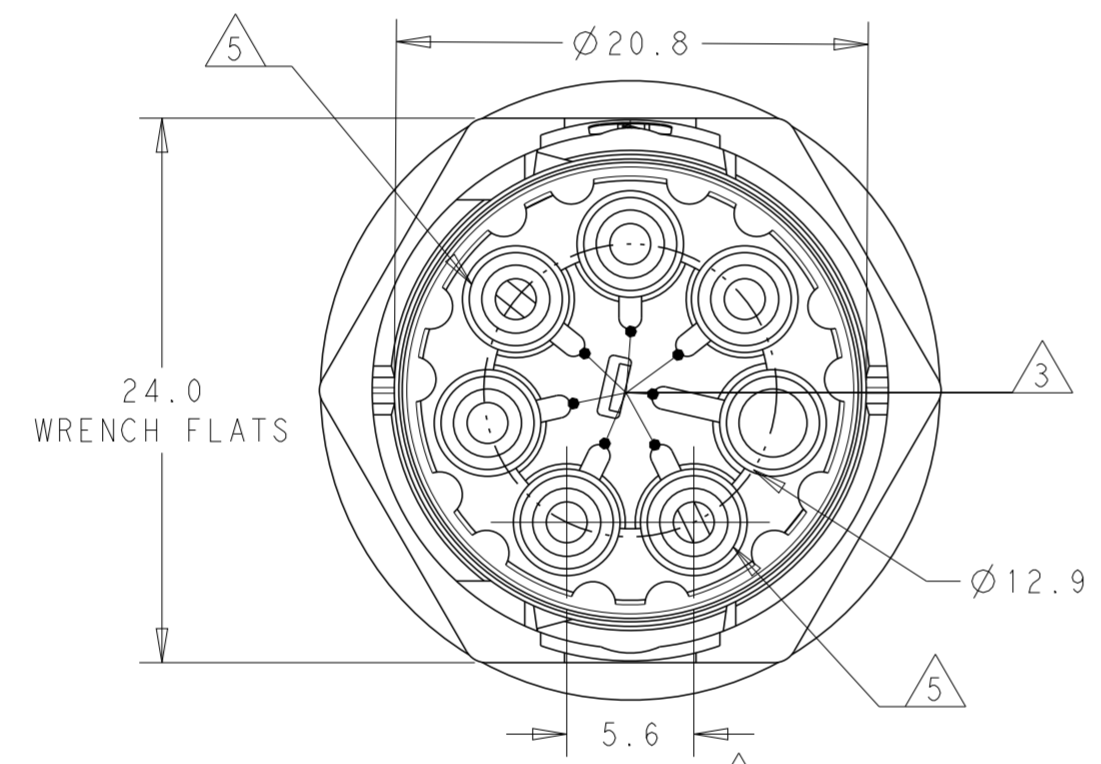
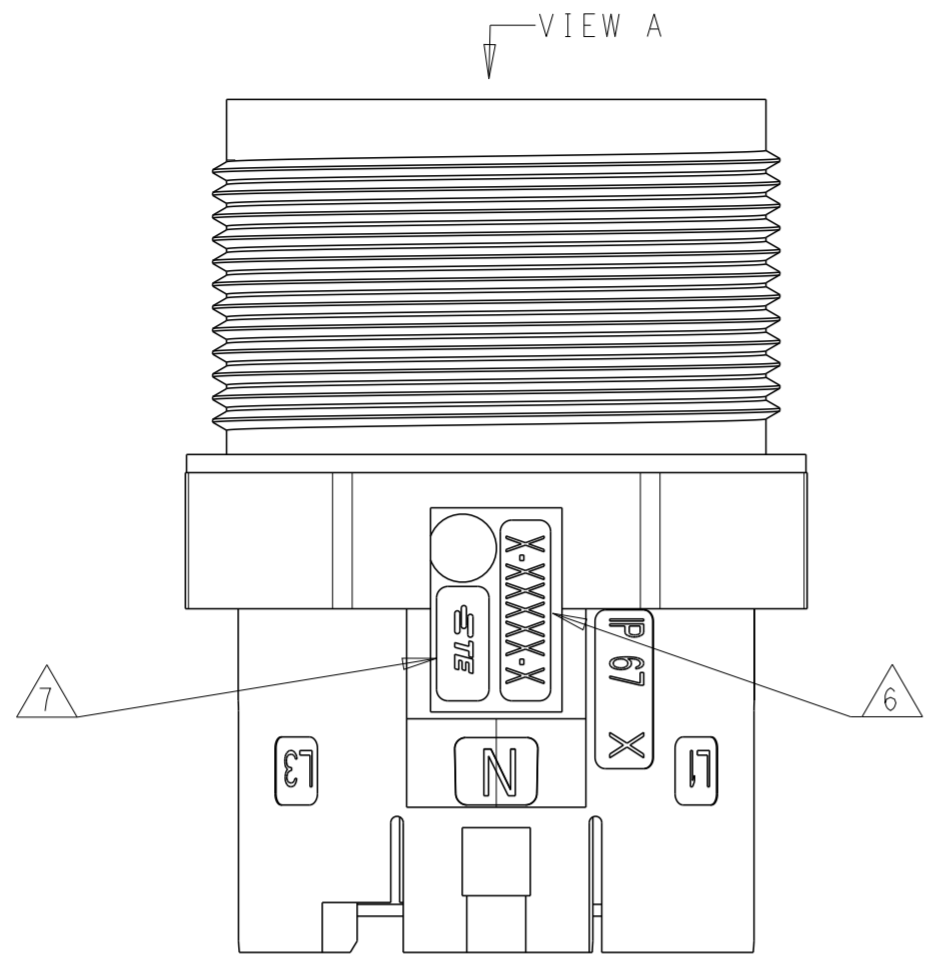
THIS DRAWING IS UNPUBLISHED. RELEASED FOR PUBLICATION 20
 © COPYRIGHT 20 BY - ALL RIGHTS RESERVED.

REVISIONS					
P	LTR	DESCRIPTION	DATE	DWN	APVD
A		REVISED AS PER ECR-15-005925	21APR2015	RS	JL
B		REVISED AS PER ECR-16-000859	08MAR2016	RS	JL
B1		ECR-18-006945	02JUL2018	SR	MZ
B2		DRAWING HAS BEEN OBSOLETE	24JAN2022	DM	MZ

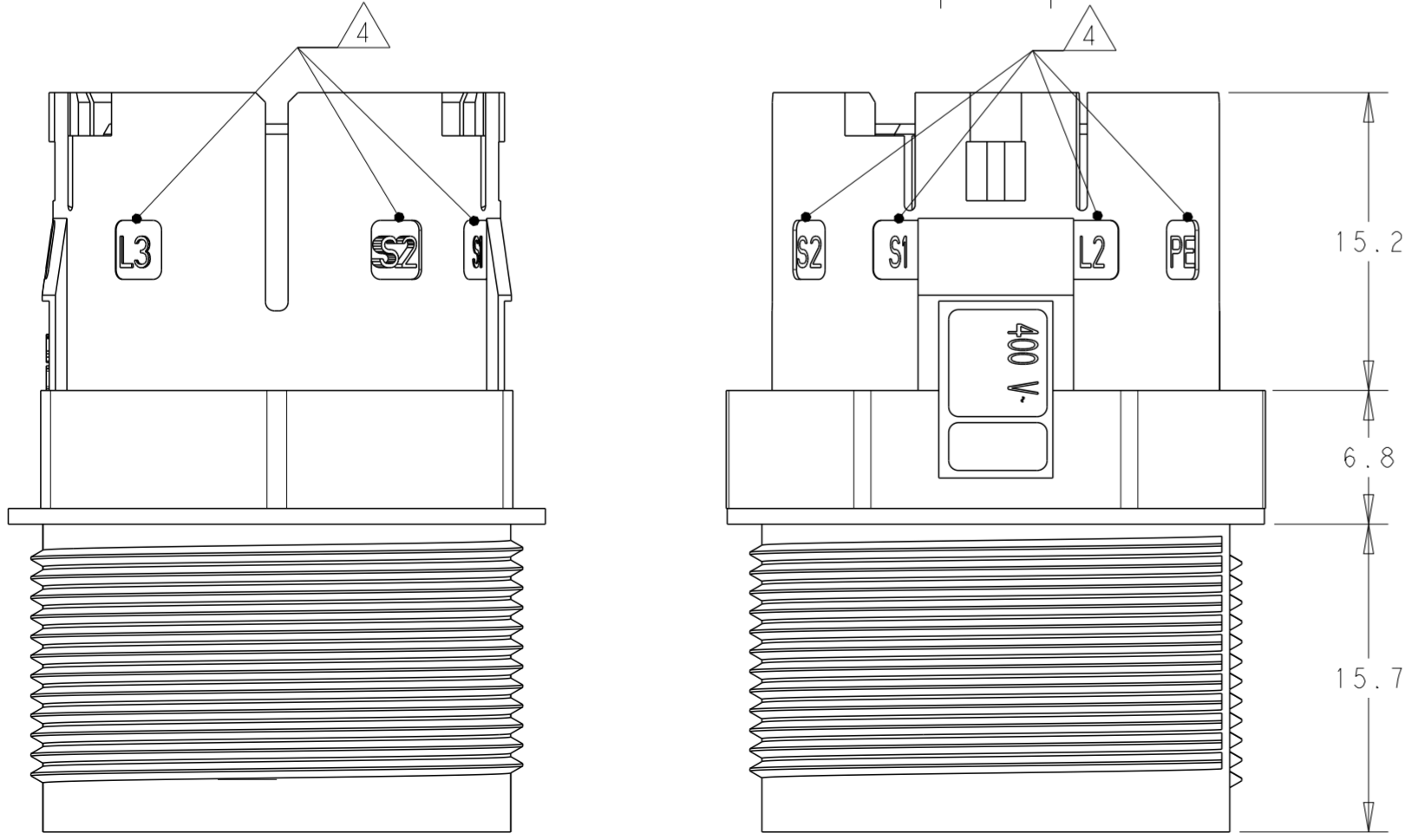
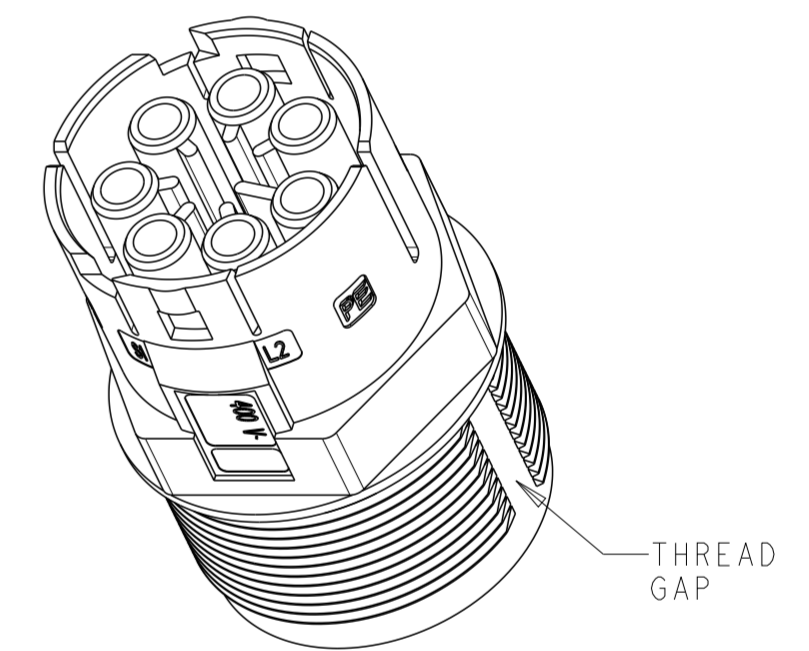
OBSOLETE

NOTES:

- MATERIAL: GLASS FILLED PBT, COLOR: BLACK
- MUST COMPLY WITH DIRECTIVE 2002/95/EC (ROHS)
- ALL POLARIZATION KEYS SHOWN FOR REF ONLY.
- CIRCUIT I.D.
- CIRCUITS "L2" AND "L3" ARE BLOCKED TO PREVENT CONTACT INSTALLATION.
- TE PART NUMBER
- TE LOGO
- THIS PRODUCT HAS NOT COMPLETED VALIDATION TESTING.



VIEW A
SCALE 3:1

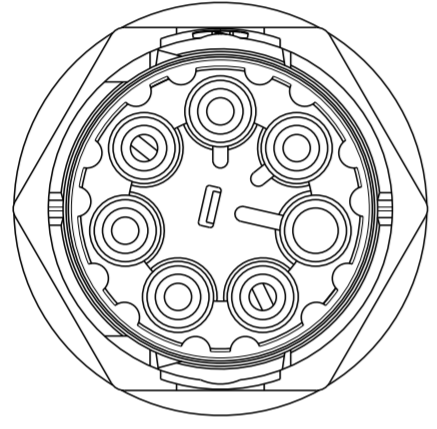
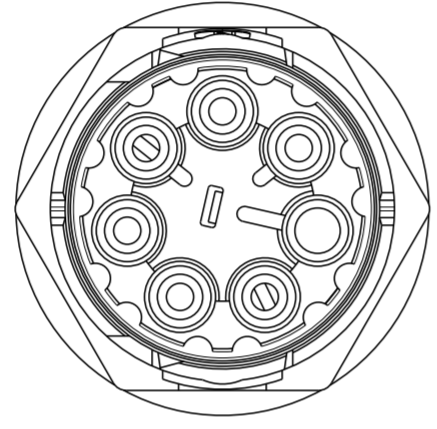
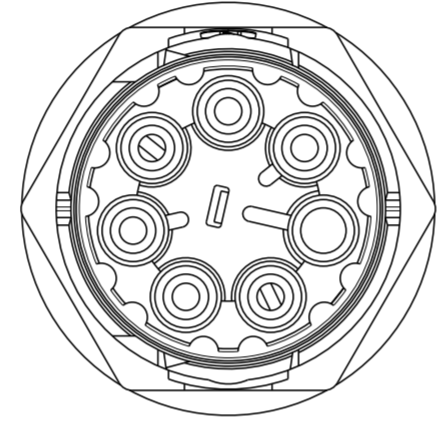
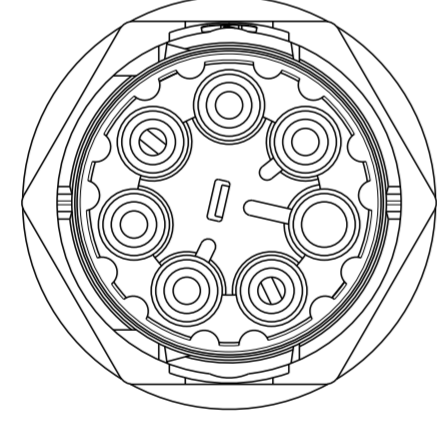
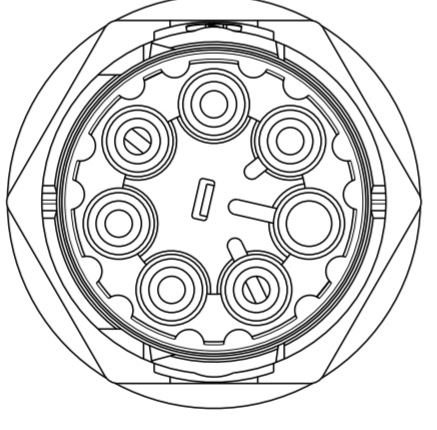


OBSOLETE	E	FREE HANGING SKT. SEALED NECTOR M, 5 POSN	2213230-5
	D	FREE HANGING SKT. SEALED NECTOR M, 5 POSN	2213230-4
	C	FREE HANGING SKT. SEALED NECTOR M, 5 POSN	2213230-3
	B	FREE HANGING SKT. SEALED NECTOR M, 5 POSN	2213230-2
	A	FREE HANGING SKT. SEALED NECTOR M, 5 POSN	2213230-1
	POLARIZATION TYPE	DESCRIPTION	PART NUMBER


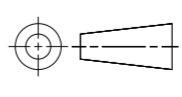
THIS DRAWING IS A CONTROLLED DOCUMENT.		DWN J. SHAFFER 11NOV2013	TE Connectivity	
		CHK M. LUKSIC 11NOV2013		
DIMENSIONS: mm		APVD M. LUKSIC 11NOV2013	NAME	
TOLERANCES UNLESS OTHERWISE SPECIFIED:		PRODUCT SPEC	FREE HANGING, SOCKET: SEALED NECTOR M, 5 POSN	
0 PLC	±	108-133014	SIZE	A2
1 PLC	±0.2	APPLICATION SPEC	CAGE CODE	-
2 PLC	±0.13	114-32111	DRAWING NO	G-2213230
3 PLC	±	WEIGHT	RESTRICTED TO	-
4 PLC	±	Customer Drawing	SCALE	1:1
ANGLES	±		SHEET	1 OF 2
FINISH	-		REV	B2

THIS DRAWING IS UNPUBLISHED. RELEASED FOR PUBLICATION 20
 © COPYRIGHT 20 BY - ALL RIGHTS RESERVED.

REVISIONS				
P	LTR	DESCRIPTION	DATE	APVD
-		SEE SHEET 1	-	-

POLARIZATION TYPES		
POLARIZATION TYPE "A"	POLARIZATION TYPE "B"	POLARIZATION TYPE "C"
		
PN: 2213230-1	PN: 2213230-2	PN: 2213230-3
POLARIZATION TYPE "D"	POLARIZATION TYPE "E"	
		
PN: 2213230-4	PN: 2213230-5	

OBSOLETE

THIS DRAWING IS A CONTROLLED DOCUMENT.		DWN J. SHAFFER 11NOV2013	 TE Connectivity	
DIMENSIONS: mm		CHK M. LUKSIC 11NOV2013		
TOLERANCES UNLESS OTHERWISE SPECIFIED:		APVD M. LUKSIC 11NOV2013	NAME FREE HANGING, SOCKET: SEALED NECTOR M, 5 POSN	
		PRODUCT SPEC 108-133014	RESTRICTED TO	
MATERIAL		APPLICATION SPEC 114-32111	SIZE A2	CAGE CODE -
NOTE 1		WEIGHT -	DRAWING NO G-2213230	
		Customer Drawing	SCALE 1:1	SHEET 2 OF 2
			REV B2	