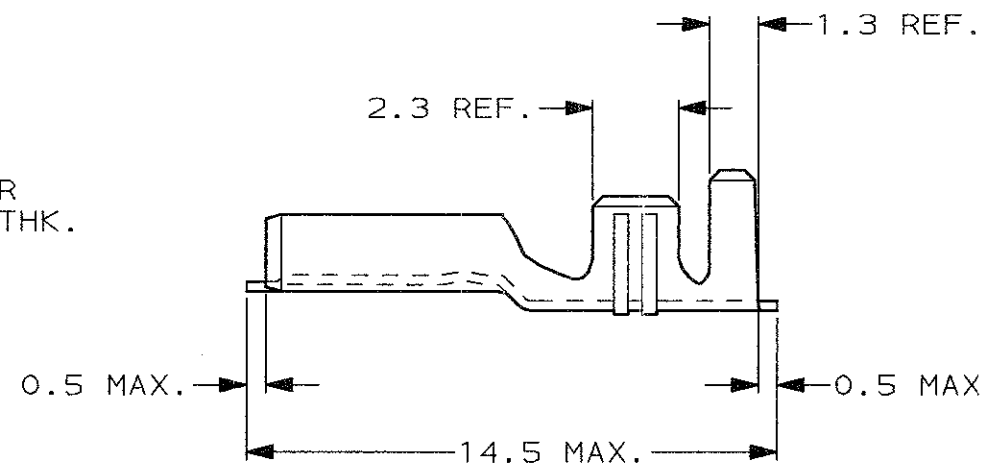
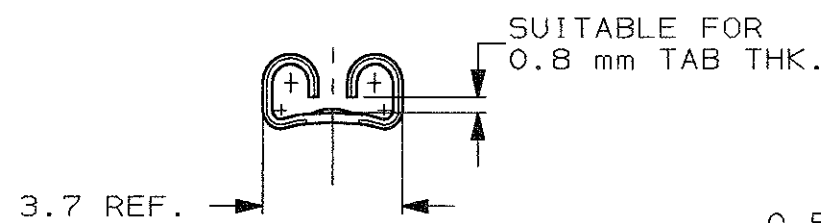
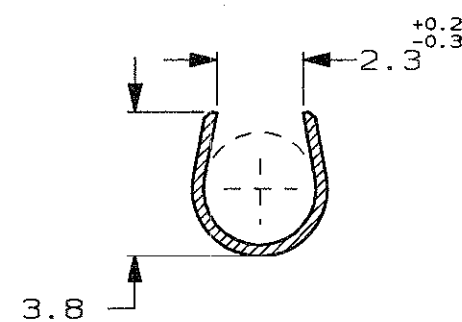
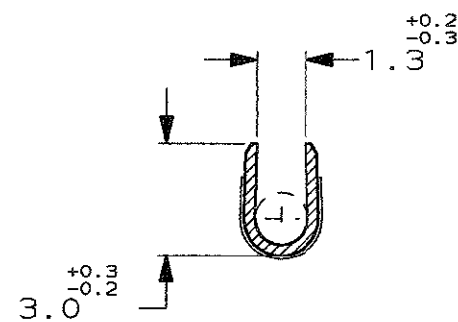


- PER LE VERSIONI IN NASTRO
1) VEDERE DISEGNO 180423.
(FOR STRIP FORM VERSION SEE DRAWING 180423)
- 2) CONFEZIONATO IN ACCORDO
ALLA SPECIFICA AMP 107-20201.
(PACKAGE ACCORDING TO AMP SPEC. 107-20201)



SEZIONE A-A
(SECTION A-A)

SEZIONE B-B
(SECTION B-B)



STAGNATO (TIN PLATED)	OTTONE (BRASS)	0-180439-2	G
FINITURA / COLORE (FINISH / COLOUR)	MATERIALE (MATERIAL)	NUMERO (PART NUMBER)	REV

CUSTOMER DWG. FOR REFERENCE ONLY **DISEGNO PER CLIENTE SOLO PER RIFERIMENTO**

THIS DRAWING IS UNPUBLISHED RELEASE FOR PUBLICATION 19

© COPYRIGHT 19 BY AMP INCORPORATED, HARRISBURG, PA. ALL INTERNATIONAL RIGHT RESERVED. AMP PRODUCTS MAY BE COVERED BY U.S. AND FOREIGN PATENT AND/OR PATENT PENDING

TOLLERANZE, SE NON DIVERSAMENTE SPECIFICATO (TOLERANCES, UNLESS OTHERWISE SPECIFIED)	DIAM. ISOLANTE (INS. DIA. RANGE)	RANGO FILO (WIRE RANGE) mm2	SCALA (SCALE)
± 0.3	1.5-2.8	0.5-1.5	5:1

ANGOLI (ANGLES) ± 2°

AMP AMP ITALIA S.p.A.
Corso F.lli Cervi, 15
COLLEGNO (TORINO)

DIS. 20 JUN 2001 (DR.) H. YAALI

DESCRIZIONE (DESCRIPTION) **FASTON® Connector, .110" sr. REC. CONTACT (LOOSE PIECE VERSION)**

CONT. (CHK) C. TARTARI	LOC. SIZE NUMERO (DWG NO)	REV.	FOGLIO (SHEET)
APP. (APP.)	I A3 C-180439	G	1 DI (OF) 1

REV.	REVISIONI (REVISION RECORD)	DIS. (DR)	DATA (DATE)
G	OBSOLETE PARTS & REDRAWN ET00-0161-01	H. Y.	04 JUL 2001