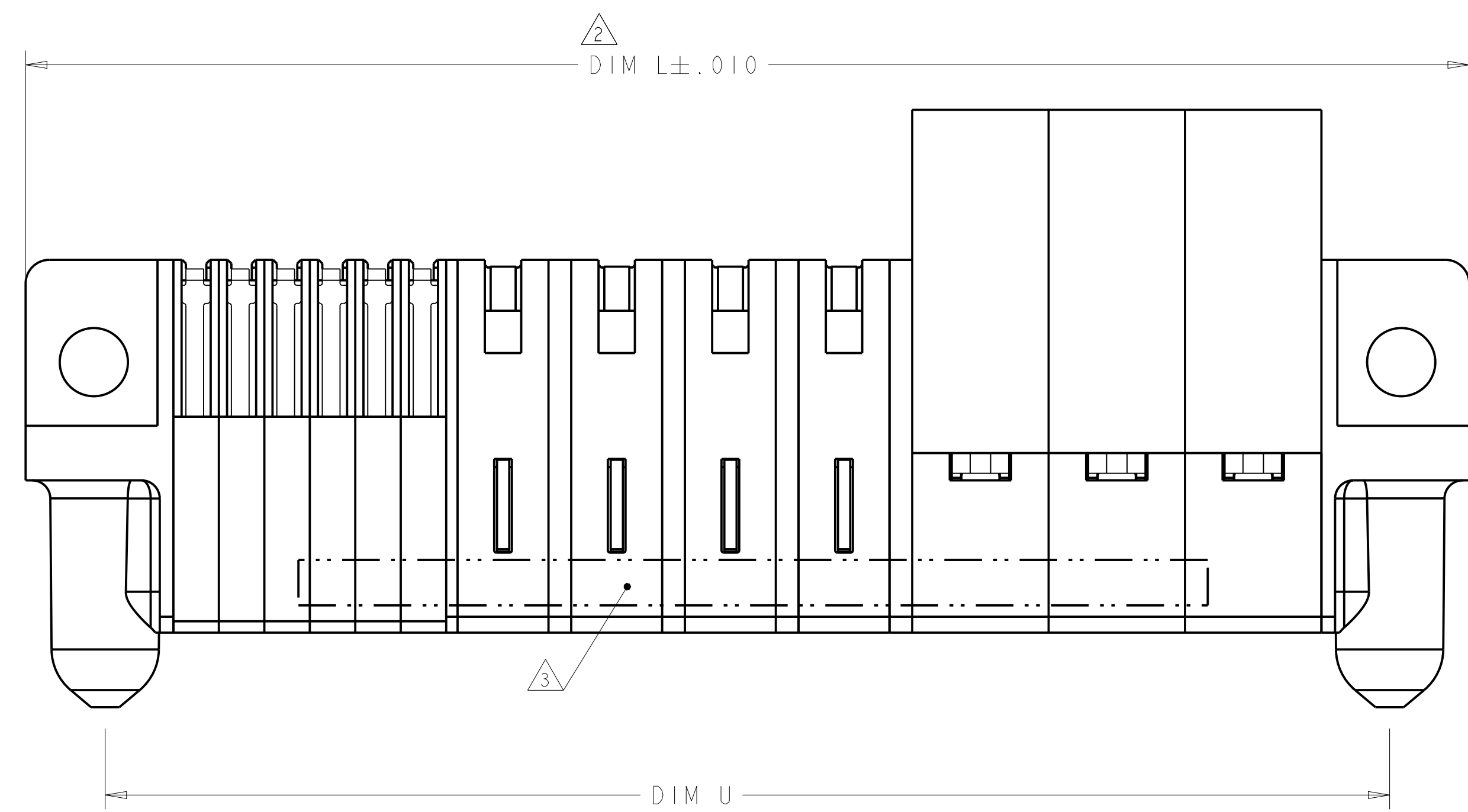
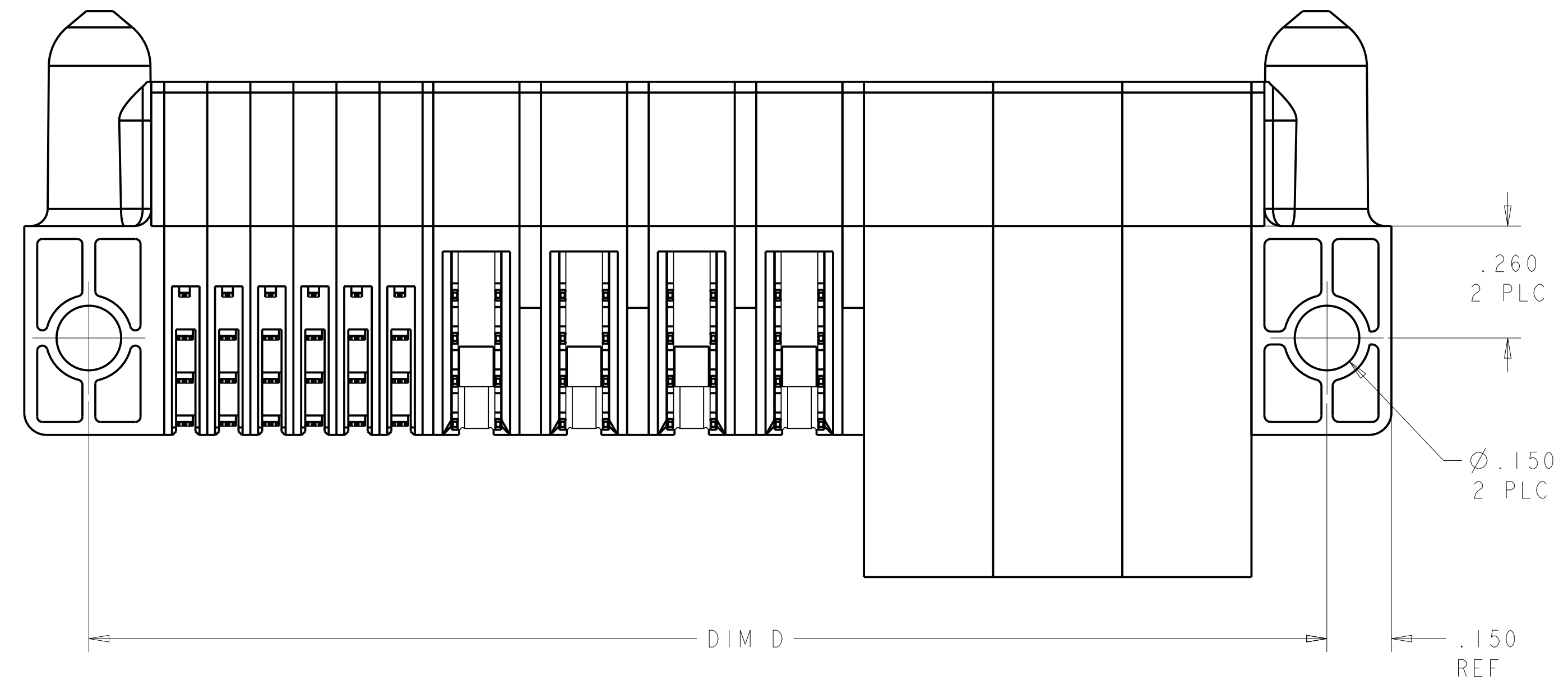
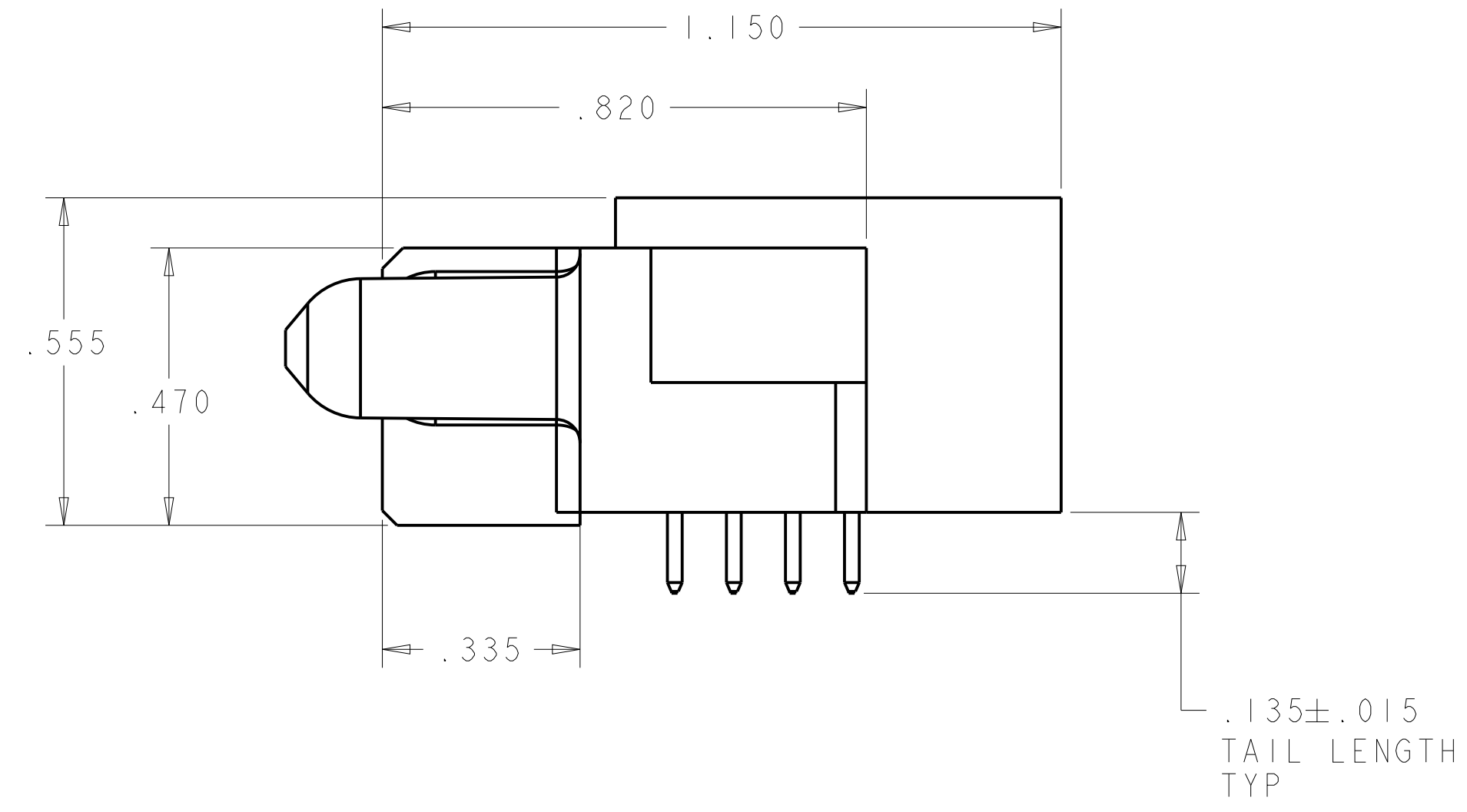
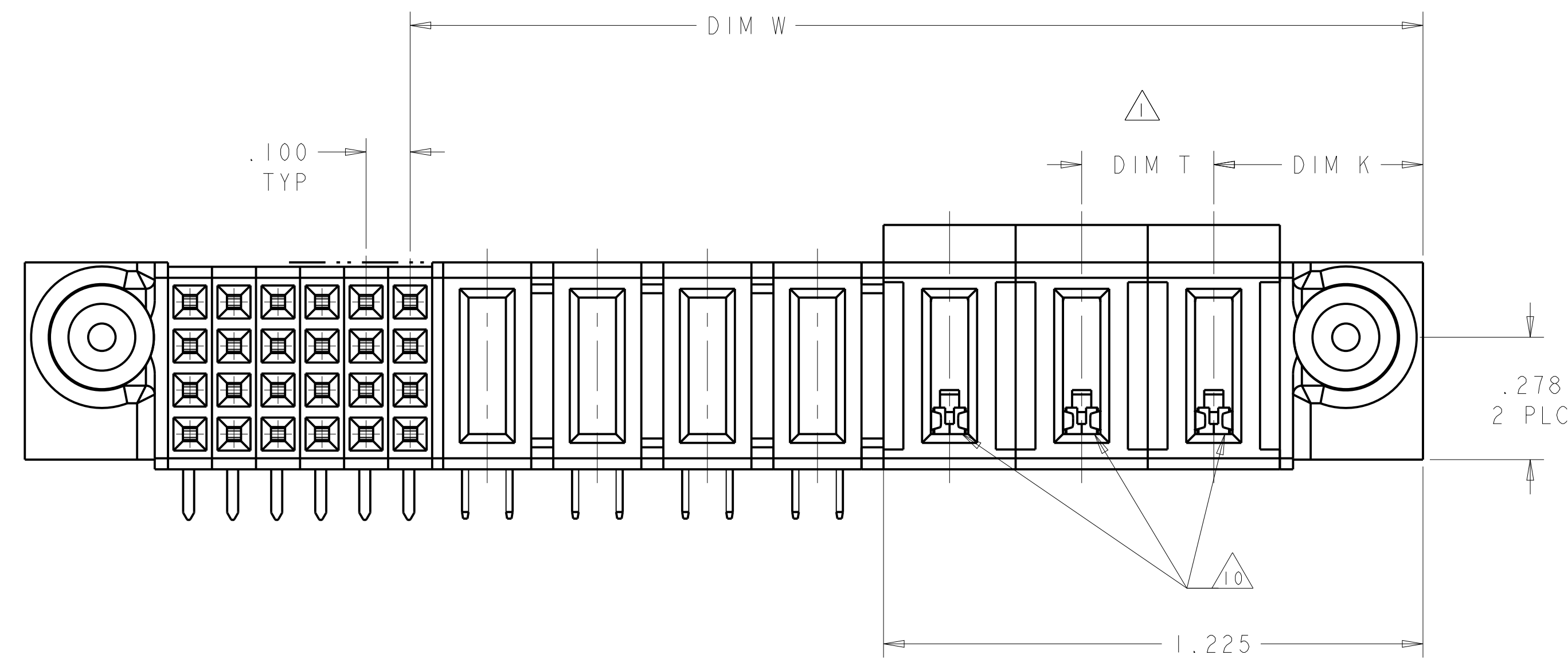


LOC		DIST		REVISIONS			
ES	00	P	LTN	DESCRIPTION	DATE	DWN	APVD
		C6		ADDED NEW DASH NUMBER -7	29JAN2014	CZ	SZ



- ① DIMENSION IS CENTERLINE SPACING OF POWER MODULES ON RIGHT SIDE OF HOUSING.
- ② THE MAXIMUM OVERALL LENGTH OF A PART IS 8.00.
- ③ "AMP", PART NUMBER AND DATE CODE TO BE MARKED IN AREA SHOWN. PARTS UNDER 2.00 LONG MAY BE MARKED ON BOTH SIDES.
- ④ MATERIAL: HOUSING - GLASS FILLED HIGH TEMP THERMO PLASTIC, UL94 V-O.  
 SIGNAL CONTACT - HIGH CONDUCTIVITY COPPER ALLOY  
 POWER CONTACT - HIGH CONDUCTIVITY COPPER ALLOY
- ⑤ CONTACT PLATING: NOBLE METAL PLATING ON CONTACT FUNCTIONAL AREA OF POWER AND SIGNAL CONTACTS
- ⑥ MECHANICAL CONNECTOR KEEP OUT ZONE.
- ⑦ DATUM AND BASIC DIMENSIONS ESTABLISHED BY CUSTOMER.
- ⑧ PCB - ALL HOLE DIAMETERS ARE FINISHED HOLE SIZES
- ⑨ PCB - .0453±.0010 DRILLED HOLES PLATED WITH .0003 MIN Sn OVER .001 TO .003 Cu PLATING TO ACHIEVE A .040 DIAMETER HOLE
- ⑩ A/C POWER CABLE CONTACT LOADED IN THESE CAVITIES.
- ⑪ VARIABLE DIMENSION SHOW ON VIEW.



DIM R	DIM S	DIM T	DIM W	DIM U	DIM D	DIM L	DIM K	DESCRIPTION	PART NUMBER
2.775	.250	.300	1.900	4.125	4.175	4.475	.475	5ACP + 32S + 6P	6450378-7
-	-	▲	2.300	2.825	2.875	3.175	.475	3ACP + 4P + 24S	6450378-6
2.775	.250	.300	1.900	4.125	4.175	4.475	.475	5ACP + 32S + 6P	6450378-5
-	-	.300	1.275	1.600	1.650	1.950	.475	3ACP + 16S	6450378-4
-	-	▲	2.675	3.225	3.275	3.575	.525	3ACP + 6P + 24S	6450378-3
-	-	▲	2.300	2.825	2.875	3.175	.475	3ACP + 4P + 24S	6450378-1

THIS DRAWING IS A CONTROLLED DOCUMENT. DWN: D. ZHU 26JUN2007  
 CHK: S. ZHAO 26JUN2007  
 APVD: S. YAO

DIMENSIONS: INCHES. TOLERANCES UNLESS OTHERWISE SPECIFIED:  
 0 PLC ±.01  
 1 PLC ±.01  
 2 PLC ±.01  
 3 PLC ±.005  
 4 PLC ±.0020  
 ANGLES ±.0020

MATERIAL: 4. FINISH: 5.

THIS DRAWING IS A CONTROLLED DOCUMENT. DWN: D. ZHU 26JUN2007  
 CHK: S. ZHAO 26JUN2007  
 APVD: S. YAO

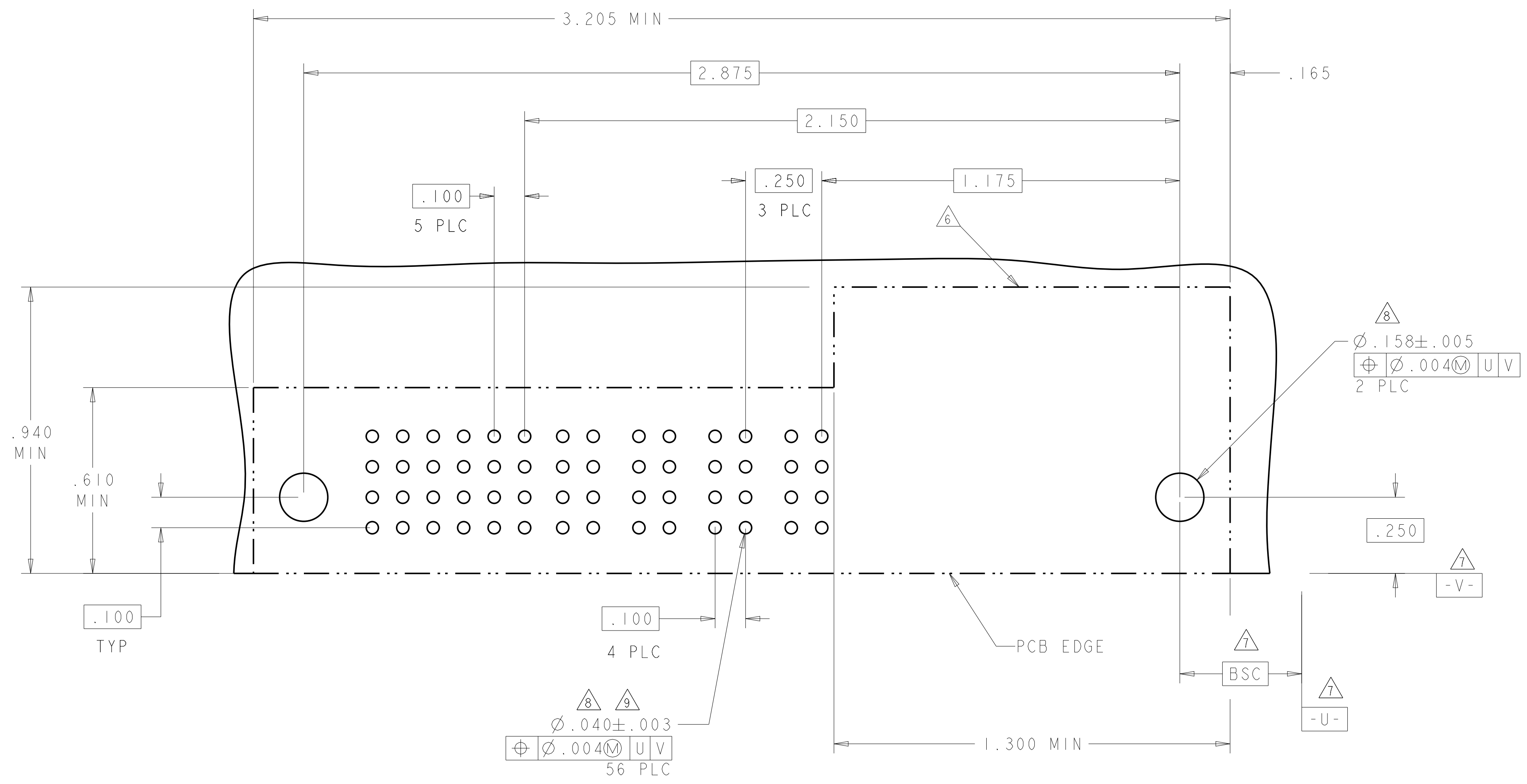
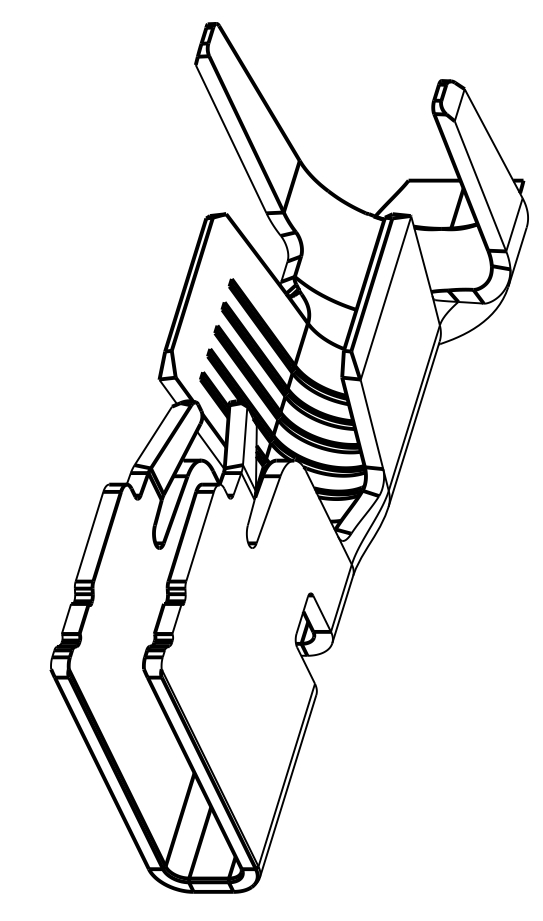
PRODUCT SPEC: 108-1973  
 APPLICATION SPEC: 114-13038  
 WEIGHT: -

NAME: RIGHT ANGLE RECEPTACLE ASSEMBLY A/C PASS THRU W/GUIDES MULTI-BEAM XL  
 SIZE: A1  
 CAGE CODE: 6450378  
 DRAWING NO: 100779  
 SCALE: 4:1  
 SHEET: 1 OF 5  
 REV: C6

LOC	DIST	REVISIONS			
ES	00	REV	DATE	BY	APPV
-	-	SEE SHEET 1	-	-	-

PART NUMBER	ROWS	SIGNAL						POWER						
		6	5	4	3	2	1	P7	P6	P5	P4	P3	P2	P1
6450378-1	D C B A	H	H	H	H	H	H	RM	RM	RM	RM	MFBL	STD	STD
		G	G	G	G	G	G							
		F	F	F	F	F	F							
		E	E	E	E	E	E							
3ACP + 4P + 24S														

.250 3 PLC  
.300  
.300 2 PLC



CODE	DESCRIPTION	ROW
RA	MFBL POWER CONTACT, .135 SOLDER TAIL	-
RM	STD POWER CONTACT, .135 SOLDER TAIL	-
H	SIGNAL CONTACT, .135 SOLDER TAIL	D
G	SIGNAL CONTACT, .135 SOLDER TAIL	C
F	SIGNAL CONTACT, .135 SOLDER TAIL	B
E	SIGNAL CONTACT, .135 SOLDER TAIL	A

THIS DRAWING IS A CONTROLLED DOCUMENT. DIMENSIONS: INCHES. TOLERANCES UNLESS OTHERWISE SPECIFIED: 0 PLC ±.01, 1 PLC ±.01, 2 PLC ±.01, 3 PLC ±.005, 4 PLC ±.002, ANGLES ±.020.

OWN: D. ZHU, 26 JUN 2007  
CHK: S. ZHAO, 26 JUN 2007  
APV: S. YAO

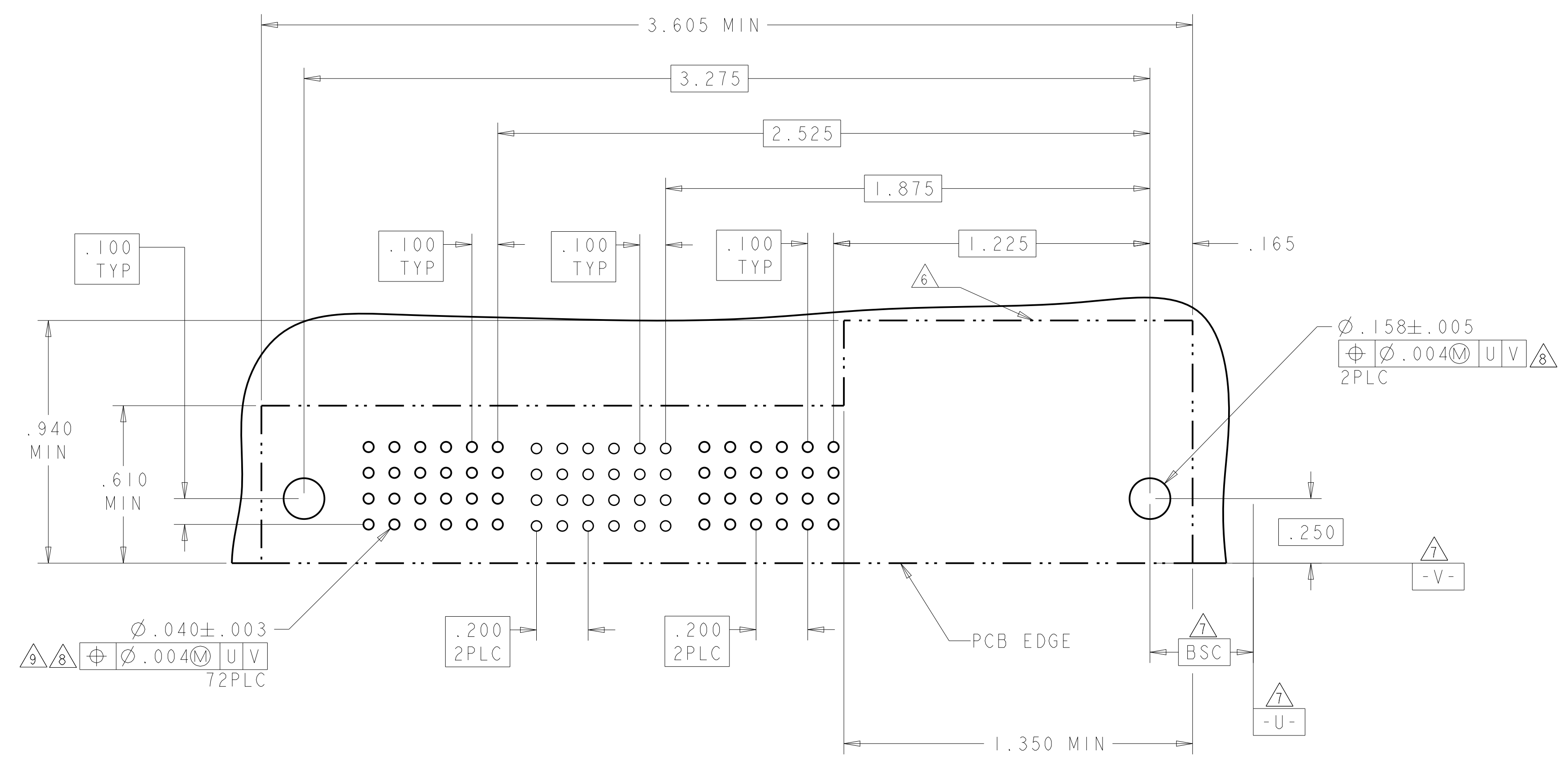
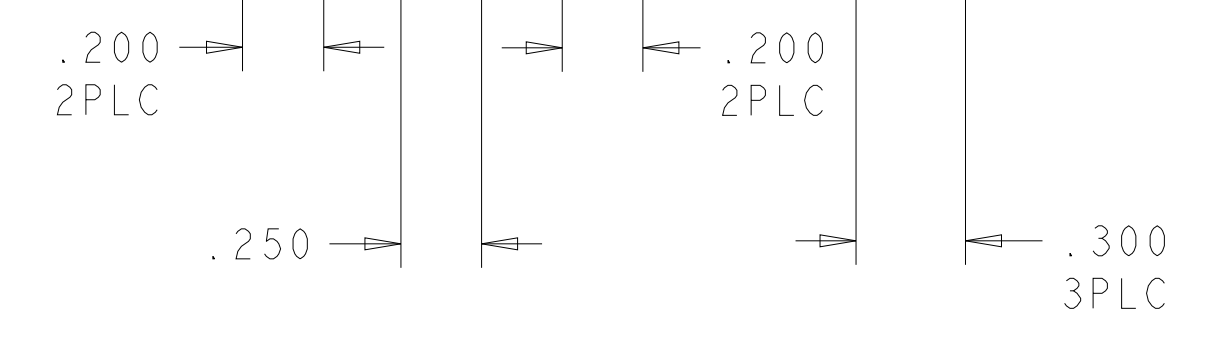
NAME: RIGHT ANGLE RECEPTACLE ASSEMBLY A/C PASS THRU W/GUIDES MULTI-BEAM XL  
PRODUCT SPEC: 108-1973  
APPLICATION SPEC: 114-13038  
WEIGHT: -  
CAGE CODE: A100779  
DRAWING NO: 6450378

SCALE: 4:1 SHEET: 2 OF 5 REV: C6

LOC	DIST	REVISIONS			
P	LTN	DESCRIPTION	DATE	DMN	APVD
ES	00	SEE SHEET 1	-	-	-

PART NUMBER	ROWS	SIGNAL						POWER								
		6	5	4	3	2	1	P9	P8	P7	P6	P5	P4	P3	P2	P1
6450378-3	D C B A	H	H	H	H	H	H	RM	RM	RM	RM	RM	RM	MFBL	STD	STD
		G	G	G	G	G	G									
		F	F	F	F	F	F									
		E	E	E	E	E	E									

3ACP + 6P + 24S

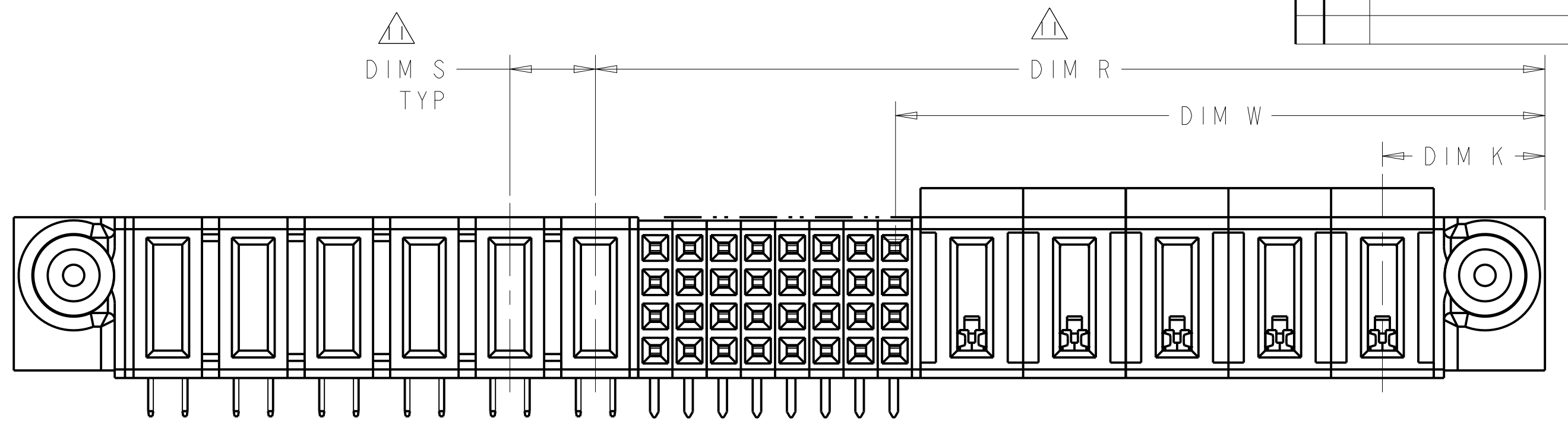


THIS DRAWING IS A CONTROLLED DOCUMENT.		DMN: D.ZHU 26JUN2007	TE Connectivity														
DIMENSIONS: INCHES		CHK: S.ZHAO 26JUN2007															
<table border="1"> <tr> <th>TOLERANCES UNLESS OTHERWISE SPECIFIED:</th> <th>FINISH</th> </tr> <tr> <td>0 PLC ±</td> <td></td> </tr> <tr> <td>1 PLC ±.01</td> <td></td> </tr> <tr> <td>2 PLC ±.01</td> <td></td> </tr> <tr> <td>3 PLC ±.005</td> <td></td> </tr> <tr> <td>4 PLC ±.002</td> <td></td> </tr> <tr> <td>ANGLES ±.2°</td> <td></td> </tr> </table>		TOLERANCES UNLESS OTHERWISE SPECIFIED:	FINISH	0 PLC ±		1 PLC ±.01		2 PLC ±.01		3 PLC ±.005		4 PLC ±.002		ANGLES ±.2°		NAME: RIGHT ANGLE RECEPTACLE ASSEMBLY A/C PASS THRU W/GUIDES MULTI-BEAM XL PRODUCT SPEC: 108-1973 APPLICATION SPEC: 114-13038 WEIGHT: - CUSTOMER DRAWING	SIZE: A1 CAGE CODE: 6450378 SCALE: 4:1 SHEET: 3 OF 5 REV: C6
TOLERANCES UNLESS OTHERWISE SPECIFIED:	FINISH																
0 PLC ±																	
1 PLC ±.01																	
2 PLC ±.01																	
3 PLC ±.005																	
4 PLC ±.002																	
ANGLES ±.2°																	

LOC	DIST	REV	DATE	BY	APPV
ES	00				

REVISIONS		
REV	DESCRIPTION	DATE
-	SEE SHEET 1	-

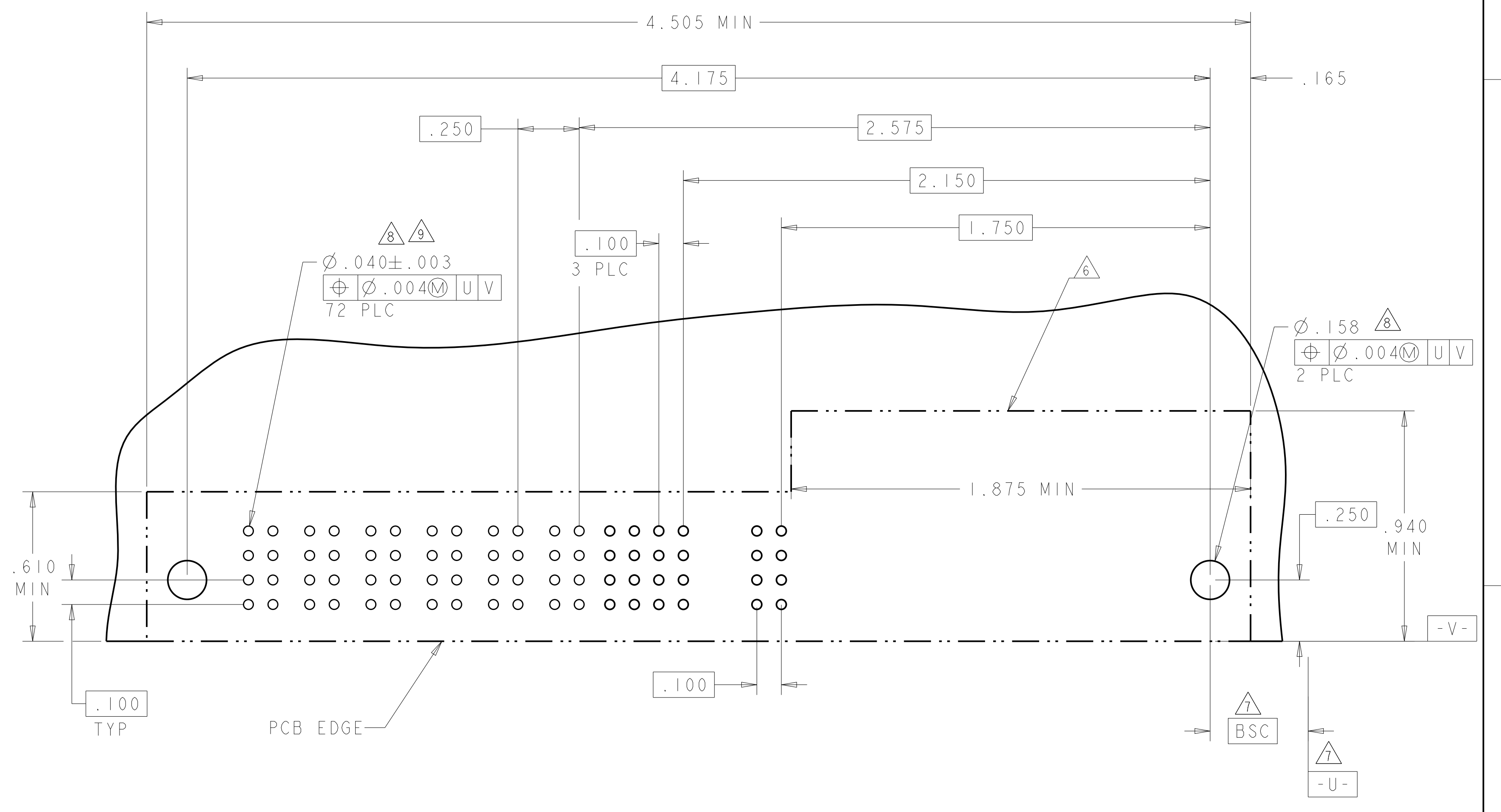
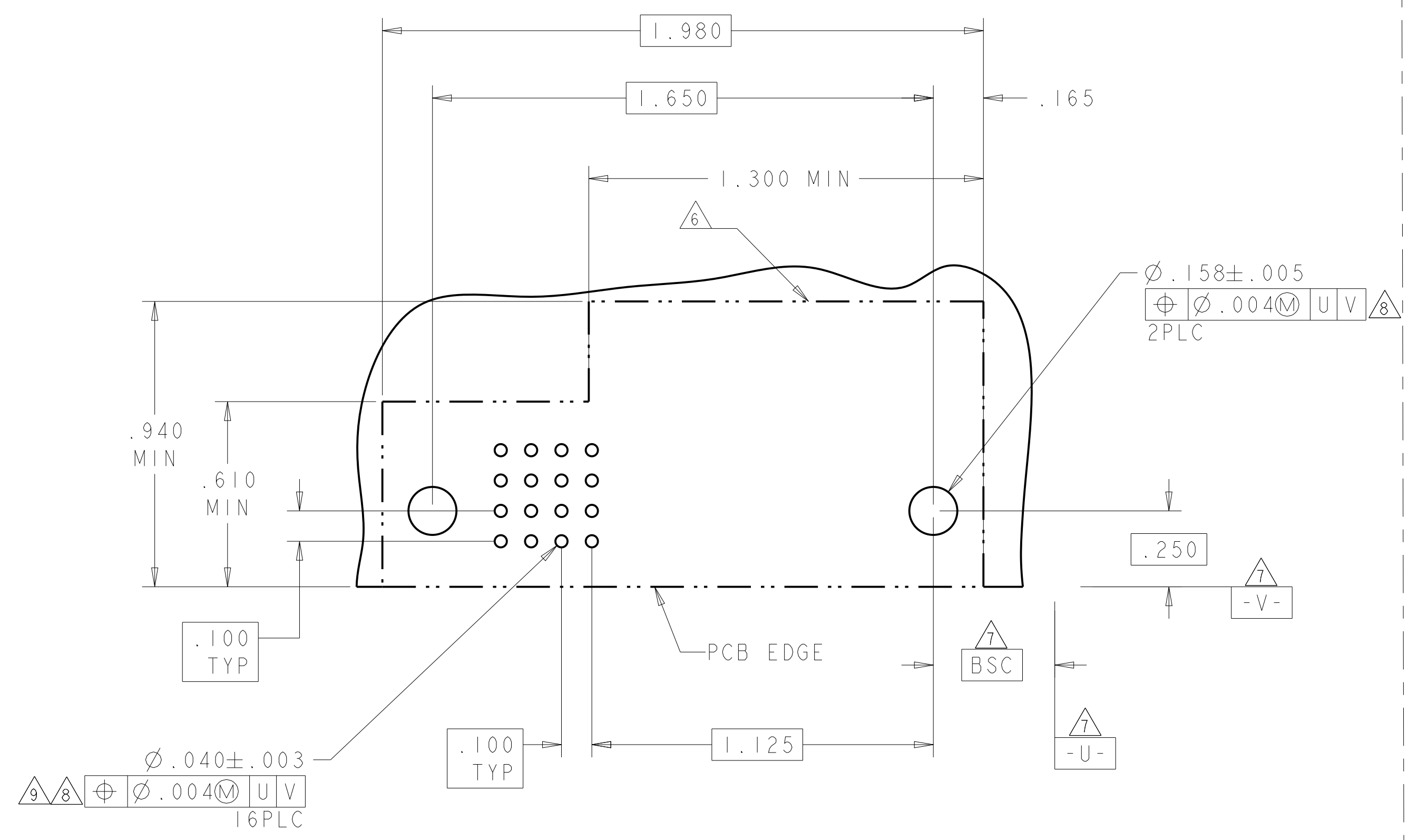
PART NUMBER	ROWS	SIGNAL				POWER		
		4	3	2	1	P3	P2	P1
6450378-4	D C B A	H	H	H	H	MFBL	STD	STD
		G	G	G	G			
		F	F	F	F			
		E	E	E	E			
3ACP + 16S								



B2

PART NUMBER	ROWS	POWER						SIGNAL						POWER					
		P11	P10	P9	P8	P7	P6	8	7	6	5	4	3	2	1	P5	P4	P3	P2
6450378-5	D C B A	RM	RM	RM	RM	RM	RM	H	H	H	H	H	H	STD	STD	STD	STD	STD	
		G	G	G	G	G	G												
		F	F	F	F	F	F												
		E	E	E	E	E	E												
5ACP + 32S + 6P																			

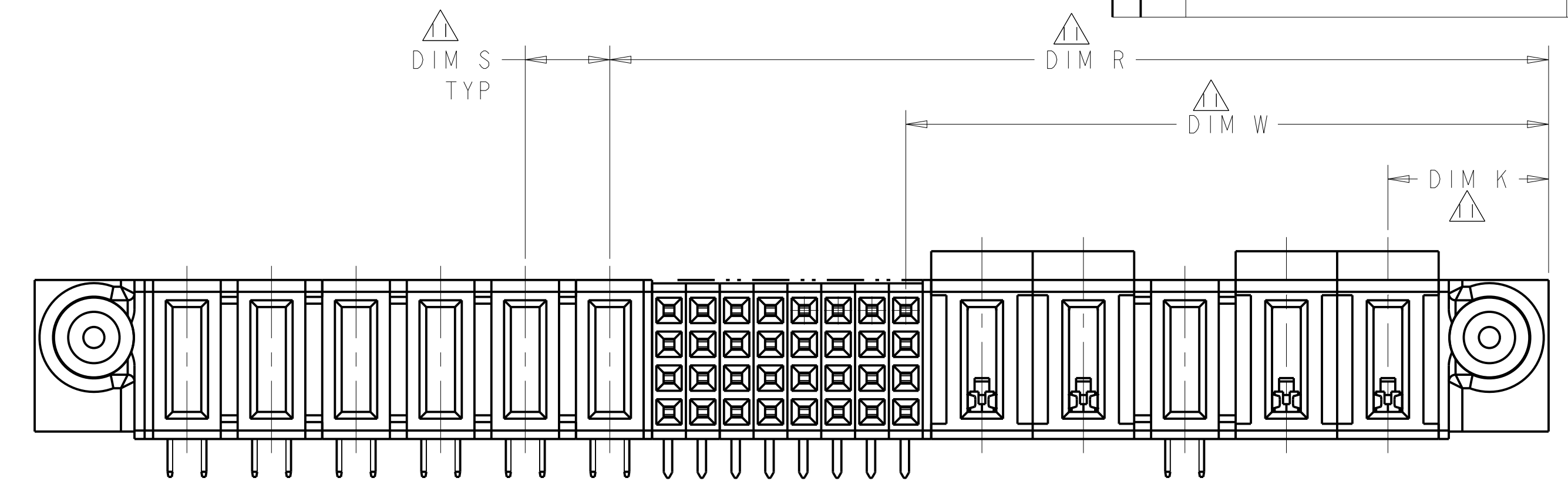
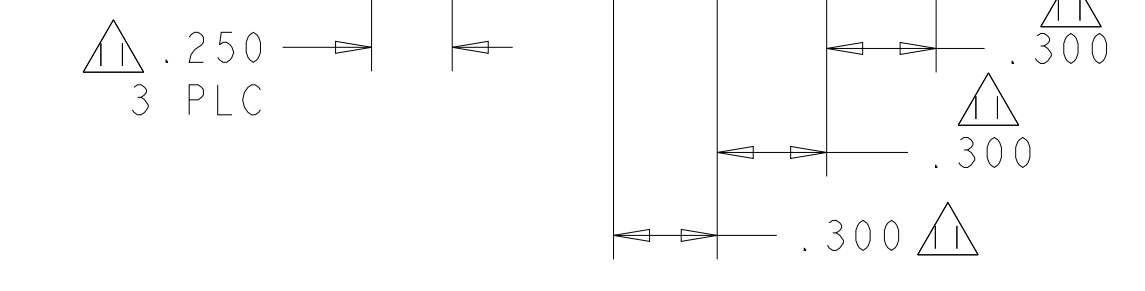
NO CONTACTS LOADED



THIS DRAWING IS A CONTROLLED DOCUMENT.		OWN: D. ZHU 26 JUN 2007		TE Connectivity
DIMENSIONS: INCHES		CHK: S. ZHAO 26 JUN 2007		NAME: RIGHT ANGLE RECEPTACLE ASSEMBLY A/C PASS THRU W/GUIDES MULTI-BEAM XL
TOLERANCES UNLESS OTHERWISE SPECIFIED:		APVD: S. YAO	PRODUCT SPEC: 108-1973	
0 PLC ±.01		APPLICATION SPEC: 114-13038		
1 PLC ±.01		WEIGHT: -		
2 PLC ±.01		SIZE: A1		
3 PLC ±.01		CAGE CODE: 6450378		
4 PLC ±.005		DRAWING NO: 100779		
5 PLC ±.005		SHEET 4 OF 5		
ANGLES ±.0020		SCALE: 4:1		
FINISH: -		REV: C6		
MATERIAL: -		CUSTOMER DRAWING		

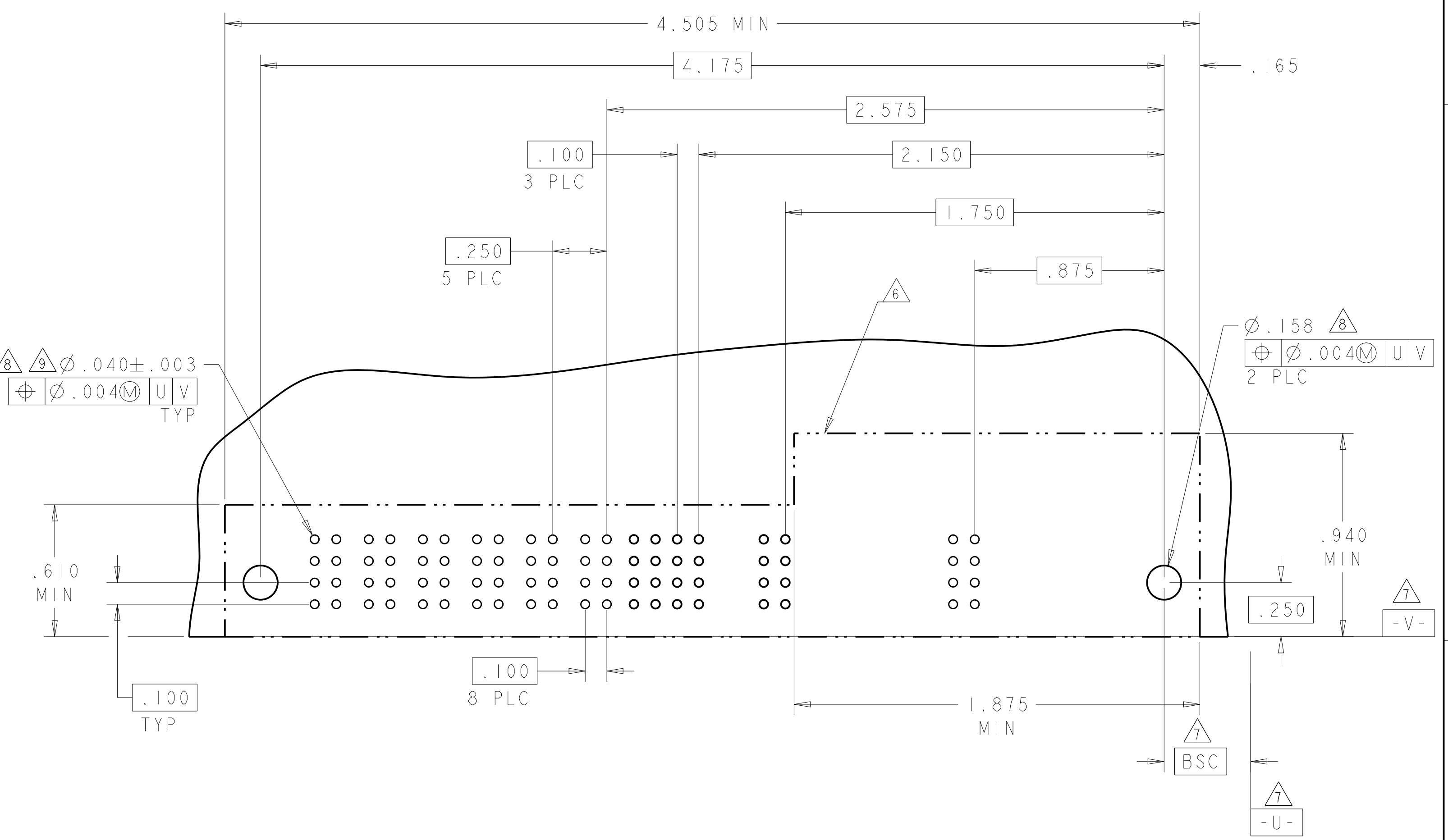
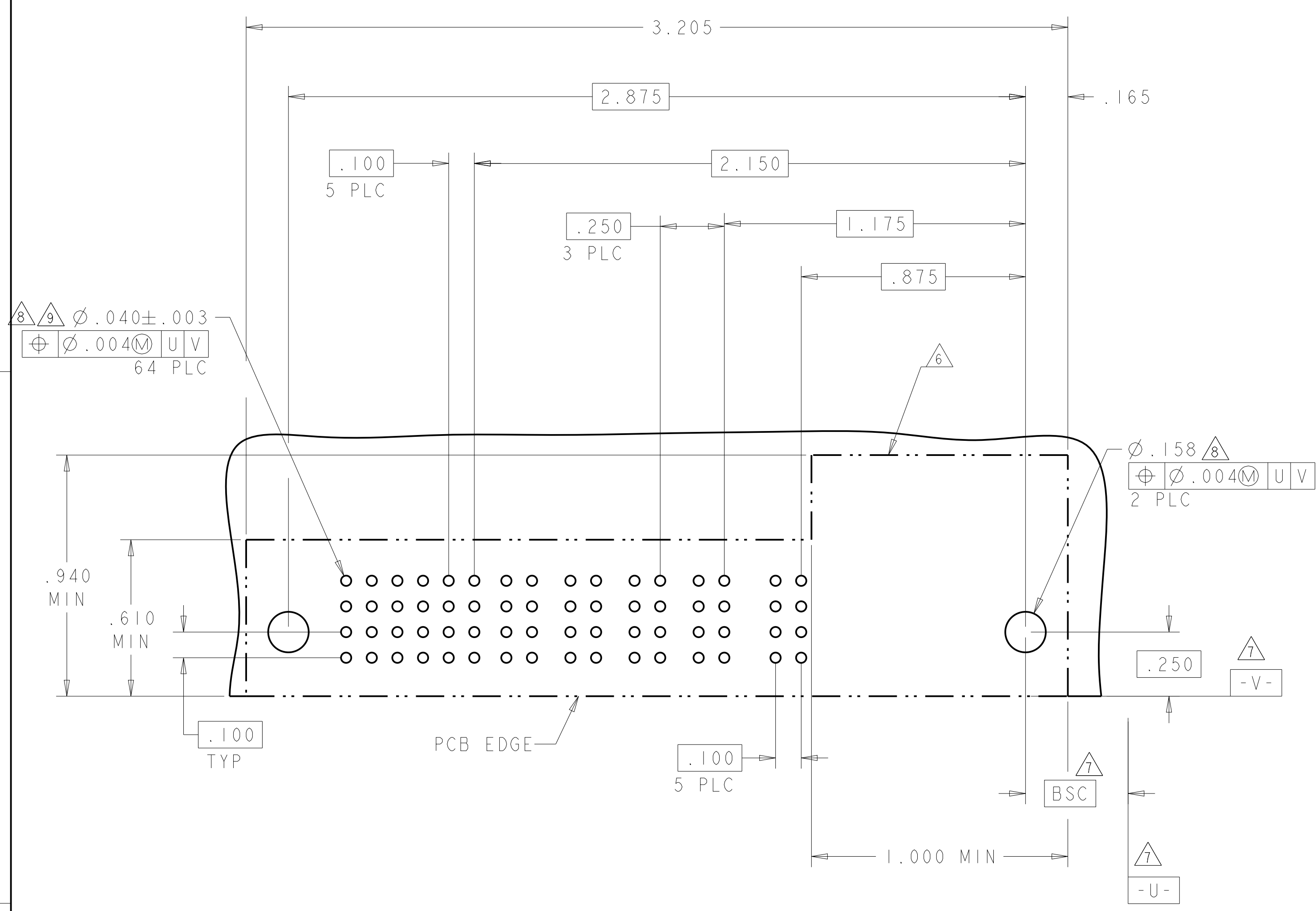
LOC	DIST	REV	DATE	BY	APPV
ES	00				

PART NUMBER	ROWS	SIGNAL						POWER						
		6	5	4	3	2	1	P7	P6	P5	P4	P3	P2	P1
6450378-6	D C B A	H	H	H	H	H	H	RM	RM	RM	RM	RA	STD	STD
		G	G	G	G	G	G							
		F	F	F	F	F	F							
		E	E	E	E	E	E							



PART NUMBER	ROWS	POWER						SIGNAL						POWER								
		P11	P10	P9	P8	P7	P6	8	7	6	5	4	3	2	1	P5	P4	P3	P2	P1		
6450378-7	D C B A	RM	RM	RM	RM	RM	RM	H	H	H	H					H	H	STD	STD	RA	STD	STD
								G	G	G	G					G	G					
								F	F	F	F					F	F					
								E	E	E	E					E	E					

NO CONTACTS LOADED



THIS DRAWING IS A CONTROLLED DOCUMENT.		OWN: D. ZHU 26 JUN 2007	 TE Connectivity
DIMENSIONS: INCHES		CHK: S. ZHAO 26 JUN 2007	
TOLERANCES UNLESS OTHERWISE SPECIFIED:		APVD: S. YAO	NAME: RIGHT ANGLE RECEPTACLE ASSEMBLY A/C PASS THRU W/GUIDES MULTI-BEAM XL
0 PLC ±.01		PRODUCT SPEC	SIZE: 108-1973
1 PLC ±.01		APPLICATION SPEC	RESTRICTED TO: 5
2 PLC ±.005		WEIGHT	SCALE: 4:1
3 PLC ±.0020		CUSTOMER DRAWING	SHEET 5 OF 5
4 PLC ±.0020		REVISIONS	REV: C6
ANGLES ±.0020			
FINISH			