



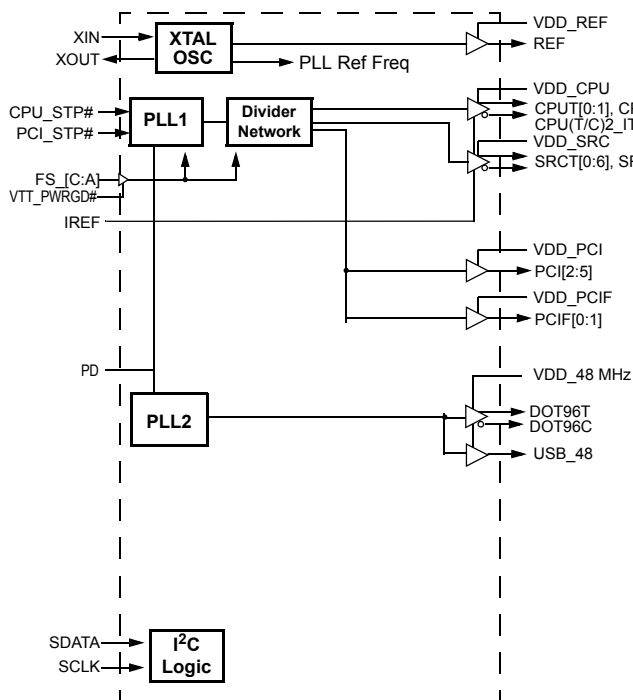
# Clock Generator for Intel® Alviso Chipset

## Features

- Compliant to Intel® CK410M
- Supports Intel Pentium-M CPU
- Selectable CPU frequencies
- Differential CPU clock pairs
- 100-MHz differential SRC clocks
- 96-MHz differential dot clock
- 48-MHz USB clocks
- 33-MHz PCI clock
- Low-voltage frequency select input
- I<sup>2</sup>C support with readback capabilities
- Ideal Lexmark Spread Spectrum profile for maximum electromagnetic interference (EMI) reduction
- 3.3V power supply
- 56-pin SSOP and TSSOP packages

| CPU     | SRC     | PCI | REF | DOT96 | USB_48 |
|---------|---------|-----|-----|-------|--------|
| x2 / x3 | x7 / x8 | x 6 | x 1 | x 1   | x 1    |

## Block Diagram



## Pin Configuration

|                |    |    |                 |
|----------------|----|----|-----------------|
| VDD_PCI        | 1  | 56 | PCI2            |
| VSS_PCI        | 2  | 55 | PCI_STP#        |
| PCI3           | 3  | 54 | CPU_STP#        |
| PCI4           | 4  | 53 | FS_C/TEST_SEL   |
| PCI5           | 5  | 52 | REF             |
| VSS_PCI        | 6  | 51 | VSS_REF         |
| VDD_PCI        | 7  | 50 | XIN             |
| PCIF0/ITP_EN   | 8  | 49 | XOUT            |
| PCIF1          | 9  | 48 | VDD_REF         |
| VTT_PWRGD#/PD  | 10 | 47 | SDATA           |
| VDD_48         | 11 | 46 | SCLK            |
| USB_48/FS_A    | 12 | 45 | VSS_CPU         |
| VSS_48         | 13 | 44 | CPUT0           |
| DOT96T         | 14 | 43 | CPUC0           |
| DOT96C         | 15 | 42 | VDD_CPU         |
| FS_B/TEST_MODE | 16 | 41 | CPUT1           |
| SRCT0          | 17 | 40 | CPUC1           |
| SRCC0          | 18 | 39 | IREF            |
| SRCT1          | 19 | 38 | VSSA            |
| SRCC1          | 20 | 37 | VDDA            |
| VDD_SRC        | 21 | 36 | CPUT2_ITP/SRCT7 |
| SRCT2          | 22 | 35 | CPUC2_ITP/SRCC7 |
| SRCC2          | 23 | 34 | VDD_SRC         |
| SRCT3          | 24 | 33 | SRCT6           |
| SRCC3          | 25 | 32 | SRCC6           |
| SRC4_SATAT     | 26 | 31 | SRCT5           |
| SRC4_SATAC     | 27 | 30 | SRCC5           |
| VDD_SRC        | 28 | 29 | VSS_SRC         |

56 SSOP/TSSOP

**Pin Definitions**

| Pin No.                                     | Name                                | Type    | Description  |
|---|-------------------------------------|---------|--|
| 54  | CPU_STP#                            | I, PU   | <b>3.3V LVTTTL input for CPU_STP# active low.</b>  |
| 44,43,41,40                                 | CPUT/C                              | O, DIF  | <b>Differential CPU clock outputs.</b>   |
| 36,35                                       | CPUT2_ITP/SRCT7,<br>CPUC2_ITP/SRCC7 | O, DIF  | <b>Selectable differential CPU or SRC clock output.</b><br>ITP_EN = 0 @ VTT_PWRGD# assertion = SRC7<br>ITP_EN = 1 @ VTT_PWRGD# assertion = CPU2  |
| 14,15                                       | DOT96T, DOT96C                      | O, DIF  | <b>Fixed 96-MHz clock output.</b>  |
| 12  | FS_A/USB_48                         | I/O, SE | <b>3.3V-tolerant input for CPU frequency selection/fixed 48-MHz clock output.</b><br><i>Refer to DC Electrical Specifications table for <math>V_{il\_FS}</math> and <math>V_{ih\_FS}</math> specifications.</i>  |
| 16  | FS_B/TEST_MODE                      | I       | <b>3.3V-tolerant input for CPU frequency selection.</b> Selects Ref/N or Hi-Z when in test mode<br>0 = Hi-Z, 1 = Ref/N<br><i>Refer to DC Electrical Specifications table for <math>V_{il\_FS}</math> and <math>V_{ih\_FS}</math> specifications.</i>   |
| 53  | FS_C/TEST_SEL                       | I       | <b>3.3V-tolerant input for CPU frequency selection.</b> Selects test mode if pulled to $V_{IMFS\_C}$ when VTT_PWRGD# is asserted low.<br><i>Refer to DC Electrical Specifications table for <math>V_{ILFS\_C}</math>, <math>V_{IMFS\_C}</math>, <math>V_{IHFS\_C}</math> specifications.</i> |
| 39  | IREF                                | I       | <b>A precision resistor is attached to this pin,</b> which is connected to the internal current reference.   |
| 56,3,4,5                                    | PCI                                 | O, SE   | <b>33-MHz clocks.</b>  |
| 55  | PCI_STP#                            | I, PU   | <b>3.3V LVTTTL input for PCI_STP# active low.</b>  |
| 8   | PCIF0/ITP_EN                        | I/O, SE | <b>33-MHz clock/CPU2 select</b> (sampled on the VTT_PWRGD# assertion).<br>1 = CPU2_ITP, 0 = SRC7   |
| 9   | PCIF1                               | O, SE   | <b>33-MHz clocks.</b>  |
| 52  | REF                                 | O, SE   | <b>Reference clock.</b> 3.3V 14.318-MHz clock output.  |
| 46  | SCLK                                | I       | <b>SMBus-compatible SCLOCK.</b>  |
| 47  | SDATA                               | I/O     | <b>SMBus-compatible SDATA.</b>   |
| 26,27                                       | SRC4_SATAT,<br>SRC4_SATAC           | O, DIF  | <b>Differential serial reference clock.</b> Recommended output for SATA.   |
| 24,25,22,23,<br>19,20,17,18,<br>33,32,31,30 | SRCT/C                              | O, DIF  | <b>Differential serial reference clocks.</b>   |
| 11  | VDD_48                              | PWR     | <b>3.3V power supply for outputs.</b>  |
| 42  | VDD_CPU                             | PWR     | <b>3.3V power supply for outputs.</b>  |
| 1,7   | VDD_PCI                             | PWR     | <b>3.3V power supply for outputs.</b>  |
| 48  | VDD_REF                             | PWR     | <b>3.3V power supply for outputs.</b>  |
| 21,28,34                                    | VDD_SRC                             | PWR     | <b>3.3V power supply for outputs.</b>  |
| 37  | VDDA                                | PWR     | <b>3.3V power supply for PLL.</b>  |
| 13  | VSS_48                              | GND     | <b>Ground for outputs.</b>   |
| 45  | VSS_CPU                             | GND     | <b>Ground for outputs.</b>   |
| 2,6   | VSS_PCI                             | GND     | <b>Ground for outputs.</b>   |
| 51  | VSS_REF                             | GND     | <b>Ground for outputs.</b>   |
| 29  | VSS_SRC                             | GND     | <b>Ground for outputs.</b>   |
| 38  | VSSA                                | GND     | <b>Ground for PLL.</b>   |
| 10  | VTT_PWRGD#/PD                       | I, PU   | <b>3.3V LVTTTL input is a level sensitive strobe used to latch the USB_48/FS_A, FS_B, FS_C/TEST_SEL and PCIF0/ITP_EN inputs.</b> After VTT_PWRGD# (active low) assertion, this pin becomes a real-time input for asserting power down (active high).   |
| 50  | XIN                                 | I       | <b>14.318-MHz crystal input.</b>   |
| 49  | XOUT                                | O, SE   | <b>14.318-MHz crystal output.</b>  |

### Frequency Select Pins (FS\_A, FS\_B and FS\_C)

Host clock frequency selection is achieved by applying the appropriate logic levels to FS\_A, FS\_B, FS\_C inputs prior to VTT\_PWRGD# assertion (as seen by the clock synthesizer). Upon VTT\_PWRGD# being sampled low by the clock chip (indicating processor VTT voltage is stable), the clock chip

samples the FS\_A, FS\_B and FS\_C input values. For all logic levels of FS\_A, FS\_B and FS\_C, VTT\_PWRGD# employs a one-shot functionality in that once a valid low on VTT\_PWRGD# has been sampled, all further VTT\_PWRGD#, FS\_A, FS\_B and FS\_C transitions will be ignored, except in test mode.

**Table 1. Frequency Select Table FS\_A, FS\_B and FS\_C**

| FS_C | FS_B | FS_A | CPU      | SRC     | PCIF/PCI | REF0       | DOT96  | USB    |
|------|------|------|----------|---------|----------|------------|--------|--------|
| MID  | 0    | 1    | 100 MHz  | 100 MHz | 33 MHz   | 14.318 MHz | 96 MHz | 48 MHz |
| 0    | 0    | 1    | 133 MHz  | 100 MHz | 33 MHz   | 14.318 MHz | 96 MHz | 48 MHz |
| 0    | 1    | 1    | RESERVED |         |          |            |        |        |
| 0    | 1    | 0    | 200 MHz  | 100 MHz | 33 MHz   | 14.318 MHz | 96 MHz | 48 MHz |
| 0    | 0    | 0    | 266 MHz  | 100 MHz | 33 MHz   | 14.318 MHz | 96 MHz | 48 MHz |
| MID  | 0    | 0    | RESERVED |         |          |            |        |        |
| MID  | 1    | 0    | RESERVED |         |          |            |        |        |
| MID  | 1    | 1    | RESERVED |         |          |            |        |        |
| 1    | 0    | x    | Hi-Z     | Hi-Z    | Hi-Z     | Hi-Z       | Hi-Z   | Hi-Z   |
| 1    | 1    | 0    | REF/2    | REF/8   | REF/24   | REF        | REF    | REF    |
| 1    | 1    | 1    | REF/2    | REF/8   | REF/24   | REF        | REF    | REF    |

### Serial Data Interface

To enhance the flexibility and function of the clock synthesizer, a two-signal serial interface is provided. Through the Serial Data Interface, various device functions, such as individual clock output buffers, can be individually enabled or disabled. The registers associated with the Serial Data Interface initialize to their default setting upon power-up, and therefore use of this interface is optional. Clock device register changes are normally made upon system initialization, if any are required. The interface cannot be used during system operation for power management functions.

### Data Protocol

The clock driver serial protocol accepts byte write, byte read, block write, and block read operations from the controller. For block write/read operation, the bytes must be accessed in sequential order from lowest to highest byte (most significant bit first) with the ability to stop after any complete byte has been transferred. For byte write and byte read operations, the system controller can access individually indexed bytes. The offset of the indexed byte is encoded in the command code, as described in *Table 2*.

The block write and block read protocol is outlined in *Table 3* while *Table 4* outlines the corresponding byte write and byte read protocol. The slave receiver address is 11010010 (D2h).

**Table 2. Command Code Definition**

| Bit   | Description   |
|-------|---|
| 7     | 0 = Block read or block write operation, 1 = Byte read or byte write operation  |
| (6:0) | Byte offset for byte read or byte write operation. For block read or block write operations, these bits should be '0000000' |

**Table 3. Block Read and Block Write Protocol**

| Block Write Protocol |  | Block Read Protocol |                        |
|----------------------|--|---------------------|------------------------|
| Bit                  | Description  | Bit                 | Description            |
| 1                    | Start  | 1                   | Start                  |
| 8:2                  | Slave address – 7 bits   | 8:2                 | Slave address – 7 bits |
| 9                    | Write  | 9                   | Write                  |
| 10                   | Acknowledge from slave   | 10                  | Acknowledge from slave |
| 18:11                | Command Code – 8 bits  | 18:11               | Command Code – 8 bits  |
| 19                   | Acknowledge from slave   | 19                  | Acknowledge from slave |
| 27:20                | Byte Count – 8 bits<br>(Skip this step if I <sup>2</sup> C_EN bit set) | 20                  | Repeat start           |

**Table 3. Block Read and Block Write Protocol (continued)**

| Block Write Protocol |                               | Block Read Protocol |                                     |
|----------------------|-------------------------------|---------------------|-------------------------------------|
| Bit                  | Description                   | Bit                 | Description                         |
| 28                   | Acknowledge from slave        | 27:21               | Slave address – 7 bits              |
| 36:29                | Data byte 1 – 8 bits          | 28                  | Read = 1                            |
| 37                   | Acknowledge from slave        | 29                  | Acknowledge from slave              |
| 45:38                | Data byte 2 – 8 bits          | 37:30               | Byte Count from slave – 8 bits      |
| 46                   | Acknowledge from slave        | 38                  | Acknowledge                         |
| ....                 | Data Byte /Slave Acknowledges | 46:39               | Data byte 1 from slave – 8 bits     |
| ....                 | Data Byte N –8 bits           | 47                  | Acknowledge                         |
| ....                 | Acknowledge from slave        | 55:48               | Data byte 2 from slave – 8 bits     |
| ....                 | Stop                          | 56                  | Acknowledge                         |
|                      |                               | ....                | Data bytes from slave / Acknowledge |
|                      |                               | ....                | Data Byte N from slave – 8 bits     |
|                      |                               | ....                | NOT Acknowledge                     |
|                      |                               | ....                | Stop                                |

**Table 4. Byte Read and Byte Write Protocol**

| Byte Write Protocol |                        | Byte Read Protocol |                          |
|---------------------|------------------------|--------------------|--------------------------|
| Bit                 | Description            | Bit                | Description              |
| 1                   | Start                  | 1                  | Start                    |
| 8:2                 | Slave address – 7 bits | 8:2                | Slave address – 7 bits   |
| 9                   | Write                  | 9                  | Write                    |
| 10                  | Acknowledge from slave | 10                 | Acknowledge from slave   |
| 18:11               | Command Code – 8 bits  | 18:11              | Command Code – 8 bits    |
| 19                  | Acknowledge from slave | 19                 | Acknowledge from slave   |
| 27:20               | Data byte – 8 bits     | 20                 | Repeated start           |
| 28                  | Acknowledge from slave | 27:21              | Slave address – 7 bits   |
| 29                  | Stop                   | 28                 | Read                     |
|                     |                        | 29                 | Acknowledge from slave   |
|                     |                        | 37:30              | Data from slave – 8 bits |
|                     |                        | 38                 | NOT Acknowledge          |
|                     |                        | 39                 | Stop                     |

## Control Registers

### Byte 0:Control Register 0

| Bit | @Pup | Name                               | Description   |
|-----|------|------------------------------------|---|
| 7   | 1    | CPUT2_ITP/SRCT7<br>CPUC2_ITP/SRCC7 | CPU[T/C]2_ITP/SRC[T/C]7 Output Enable<br>0 = Disable (Hi-Z), 1 = Enable |
| 6   | 1    | SRC[T/C]6                          | SRC[T/C]6 Output Enable<br>0 = Disable (Hi-Z), 1 = Enable               |
| 5   | 1    | SRC[T/C]5                          | SRC[T/C]5 Output Enable<br>0 = Disable (Hi-Z), 1 = Enable               |
| 4   | 1    | SRC[T/C]4                          | SRC[T/C]4 Output Enable<br>0 = Disable (Hi-Z), 1 = Enable               |
| 3   | 1    | SRC[T/C]3                          | SRC[T/C]3 Output Enable<br>0 = Disable (Hi-Z), 1 = Enable               |

**Byte 0: Control Register 0** (continued)

| Bit | @Pup | Name      | Description   |
|-----|------|-----------|---|
| 2   | 1    | SRC[T/C]2 | SRC[T/C]2 Output Enable<br>0 = Disable (Hi-Z), 1 = Enable |
| 1   | 1    | SRC[T/C]1 | SRC[T/C]1 Output Enable<br>0 = Disable (Hi-Z), 1 = Enable |
| 0   | 1    | SRC[T/C]0 | SRC[T/C]0 Output Enable<br>0 = Disable (Hi-Z), 1 = Enable |

**Byte 1: Control Register 1**

| Bit | @Pup | Name                            | Description   |
|-----|------|---------------------------------|---|
| 7   | 1    | PCIF0                           | PCIF0 Output Enable<br>0 = Disabled, 1 = Enabled            |
| 6   | 1    | DOT_96T/C                       | DOT_96 MHz Output Enable<br>0 = Disable (Hi-Z), 1 = Enabled |
| 5   | 1    | USB_48                          | USB_48 MHz Output Enable<br>0 = Disabled, 1 = Enabled       |
| 4   | 1    | REF                             | REF Output Enable<br>0 = Disabled, 1 = Enabled              |
| 3   | 0    | Reserved                        | Reserved  |
| 2   | 1    | CPU[T/C]1                       | CPU[T/C]1 Output Enable<br>0 = Disable (Hi-Z), 1 = Enabled  |
| 1   | 1    | CPU[T/C]0                       | CPU[T/C]0 Output Enable<br>0 = Disable (Hi-Z), 1 = Enabled  |
| 0   | 0    | CPUT/C<br>SRCT/C<br>PCIF<br>PCI | Spread Spectrum Enable<br>0 = Spread off, 1 = Spread on     |

**Byte 2: Control Register 2**

| Bit | @Pup | Name     | Description                                      |
|-----|------|----------|--|
| 7   | 1    | PCI5     | PCI5 Output Enable<br>0 = Disabled, 1 = Enabled  |
| 6   | 1    | PCI4     | PCI4 Output Enable<br>0 = Disabled, 1 = Enabled  |
| 5   | 1    | PCI3     | PCI3 Output Enable<br>0 = Disabled, 1 = Enabled  |
| 4   | 1    | PCI2     | PCI2 Output Enable<br>0 = Disabled, 1 = Enabled  |
| 3   | 1    | Reserved | Reserved, Set = 1                                |
| 2   | 1    | Reserved | Reserved, Set = 1                                |
| 1   | 1    | Reserved | Reserved, Set = 1                                |
| 0   | 1    | PCIF1    | PCIF1 Output Enable<br>0 = Disabled, 1 = Enabled |

**Byte 3: Control Register 3**

| Bit | @Pup | Name | Description   |
|-----|------|------|---|
| 7   | 0    | SRC7 | Allow control of SRC[T/C]7 with assertion of PCI_STP# or SW PCI_STP#<br>0 = Free running, 1 = Stopped with PCI_STP# |
| 6   | 0    | SRC6 | Allow control of SRC[T/C]6 with assertion of PCI_STP# or SW PCI_STP#<br>0 = Free running, 1 = Stopped with PCI_STP# |
| 5   | 0    | SRC5 | Allow control of SRC[T/C]5 with assertion of PCI_STP# or SW PCI_STP#<br>0 = Free running, 1 = Stopped with PCI_STP# |

**Byte 3: Control Register 3 (continued)**

| Bit | @Pup | Name | Description   |
|-----|------|------|---|
| 4   | 0    | SRC4 | Allow control of SRC[T/C]4 with assertion of PCI_STP# or SW PCI_STP#<br>0 = Free running, 1 = Stopped with PCI_STP# |
| 3   | 0    | SRC3 | Allow control of SRC[T/C]3 with assertion of PCI_STP# or SW PCI_STP#<br>0 = Free running, 1 = Stopped with PCI_STP# |
| 2   | 0    | SRC2 | Allow control of SRC[T/C]2 with assertion of PCI_STP# or SW PCI_STP#<br>0 = Free running, 1 = Stopped with PCI_STP# |
| 1   | 0    | SRC1 | Allow control of SRC[T/C]1 with assertion of PCI_STP# or SW PCI_STP#<br>0 = Free running, 1 = Stopped with PCI_STP# |
| 0   | 0    | SRC0 | Allow control of SRC[T/C]0 with assertion of PCI_STP#<br>0 = Free running, 1 = Stopped with PCI_STP#                |

**Byte 4: Control Register 4**

| Bit | @Pup | Name      | Description   |
|-----|------|-----------|---|
| 7   | 0    | Reserved  | Reserved, Set = 0   |
| 6   | 0    | DOT96T/C  | DOT_PWRDWN Drive Mode<br>0 = Driven in PWRDWN, 1 = Hi-Z   |
| 5   | 0    | Reserved  | Reserved, Set = 0   |
| 4   | 0    | PCIF1     | Allow control of PCIF1 with assertion of PCI_STP# or SW PCI_STP#<br>0 = Free running, 1 = Stopped with PCI_STP# |
| 3   | 0    | PCIF0     | Allow control of PCIF0 with assertion of PCI_STP# or SW PCI_STP#<br>0 = Free running, 1 = Stopped with PCI_STP# |
| 2   | 1    | CPU[T/C]2 | Allow control of CPU[T/C]2 with assertion of CPU_STP#<br>0 = Free running, 1 = Stopped with CPU_STP#            |
| 1   | 1    | CPU[T/C]1 | Allow control of CPU[T/C]1 with assertion of CPU_STP#<br>0 = Free running, 1 = Stopped with CPU_STP#            |
| 0   | 1    | CPU[T/C]0 | Allow control of CPU[T/C]0 with assertion of CPU_STP#<br>0 = Free running, 1 = Stopped with CPU_STP#            |

**Byte 5: Control Register 5**

| Bit | @Pup | Name          | Description   |
|-----|------|---------------|---|
| 7   | 0    | SRC[T/C][7:0] | SRC[T/C] Stop Drive Mode<br>0 = Driven when PCI_STP# asserted, 1 = Hi-Z when PCI_STP# asserted  |
| 6   | 0    | CPU[T/C]2     | CPU[T/C]2 Stop Drive Mode<br>0 = Driven when CPU_STP# asserted, 1 = Hi-Z when CPU_STP# asserted |
| 5   | 0    | CPU[T/C]1     | CPU[T/C]1 Stop Drive Mode<br>0 = Driven when CPU_STP# asserted, 1 = Hi-Z when CPU_STP# asserted |
| 4   | 0    | CPU[T/C]0     | CPU[T/C]0 Stop Drive Mode<br>0 = Driven when CPU_STP# asserted, 1 = Hi-Z when CPU_STP# asserted |
| 3   | 0    | SRC[T/C][7:0] | SRC[T/C] PWRDWN Drive Mode<br>0 = Driven when PD asserted, 1 = Hi-Z when PD asserted            |
| 2   | 0    | CPU[T/C]2     | CPU[T/C]2 PWRDWN Drive Mode<br>0 = Driven when PD asserted, 1 = Hi-Z when PD asserted           |
| 1   | 0    | CPU[T/C]1     | CPU[T/C]1 PWRDWN Drive Mode<br>0 = Driven when PD asserted, 1 = Hi-Z when PD asserted           |
| 0   | 0    | CPU[T/C]0     | CPU[T/C]0 PWRDWN Drive Mode<br>0 = Driven when PD asserted, 1 = Hi-Z when PD asserted           |

**Byte 6: Control Register 6**

| Bit | @Pup                | Name           | Description  |
|-----|---------------------|----------------|--|
| 7   | 0                   |                | REF/N or Hi-Z Select<br>0 = Hi-Z, 1 = REF/N Clock  |
| 6   | 0                   |                | Test Clock Mode Entry Control<br>0 = Normal operation, 1 = REF/N or Hi-Z mode,   |
| 5   | 0                   | Reserved       | Reserved, Set = 0  |
| 4   | 1                   | REF            | REF Output Drive Strength<br>0 = Low, 1 = High   |
| 3   | 1                   | PCIF, SRC, PCI | SW PCI_STP Function<br>0=SW PCI_STP assert, 1= SW PCI_STP deassert<br>When this bit is set to 0, all STOPPABLE PCI, PCIF and SRC outputs will be stopped in a synchronous manner with no short pulses.<br>When this bit is set to 1, all STOPPED PCI, PCIF and SRC outputs will resume in a synchronous manner with no short pulses. |
| 2   | Externally selected | CPUT/C         | FS_C Reflects the value of the FS_C pin sampled on power up<br>0 = FS_C was low during VTT_PWRGD# assertion  |
| 1   | Externally selected | CPUT/C         | FS_B Reflects the value of the FS_B pin sampled on power up<br>0 = FS_B was low during VTT_PWRGD# assertion  |
| 0   | Externally selected | CPUT/C         | FS_A Reflects the value of the FS_A pin sampled on power up<br>0 = FS_A was low during VTT_PWRGD# assertion  |

**Byte 7: Vendor ID**

| Bit | @Pup | Name                | Description         |
|-----|------|---------------------|---------------------|
| 7   | 0    | Revision Code Bit 3 | Revision Code Bit 3 |
| 6   | 0    | Revision Code Bit 2 | Revision Code Bit 2 |
| 5   | 1    | Revision Code Bit 1 | Revision Code Bit 1 |
| 4   | 0    | Revision Code Bit 0 | Revision Code Bit 0 |
| 3   | 1    | Vendor ID Bit 3     | Vendor ID Bit 3     |
| 2   | 0    | Vendor ID Bit 2     | Vendor ID Bit 2     |
| 1   | 0    | Vendor ID Bit 1     | Vendor ID Bit 1     |
| 0   | 0    | Vendor ID Bit 0     | Vendor ID Bit 0     |

**Crystal Recommendations**

The CY28411-1 requires a Parallel Resonance Crystal. Substituting a series resonance crystal will cause the CY28411-1 to operate at the wrong frequency and violate the ppm specification. For most applications there is a 300-ppm frequency shift between series and parallel crystals due to incorrect loading.

**Crystal Loading**

Crystal loading plays a critical role in achieving low ppm performance. To realize low ppm performance, the total capacitance the crystal will see must be considered to calculate the appropriate capacitive loading (CL).

The following diagram shows a typical crystal configuration using the two trim capacitors. An important clarification for the following discussion is that the trim capacitors are in series with the crystal not parallel. It's a common misconception that load capacitors are in parallel with the crystal and should be approximately equal to the load capacitance of the crystal. This is not true.

**Table 5. Crystal Recommendations**

| Frequency (Fund) | Cut | Loading  | Load Cap | Drive (max.) | Shunt Cap (max.) | Motional (max.) | Tolerance (max.) | Stability (max.) | Aging (max.) |
|------------------|-----|----------|----------|--------------|------------------|-----------------|------------------|------------------|--------------|
| 14.31818 MHz     | AT  | Parallel | 20 pF    | 0.1 mW       | 5 pF             | 0.016 pF        | 35 ppm           | 30 ppm           | 5 ppm        |

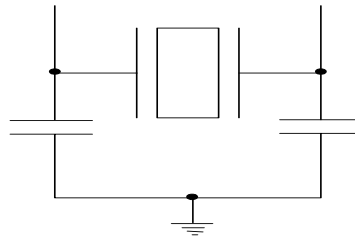


Figure 1. Crystal Capacitive Clarification

**Calculating Load Capacitors**

In addition to the standard external trim capacitors, trace capacitance and pin capacitance must also be considered to correctly calculate crystal loading. As mentioned previously, the capacitance on each side of the crystal is in series with the

crystal. This means the total capacitance on each side of the crystal must be twice the specified crystal load capacitance (CL). While the capacitance on each side of the crystal is in series with the crystal, trim capacitors (Ce1,Ce2) should be calculated to provide equal capacitive loading on both sides.

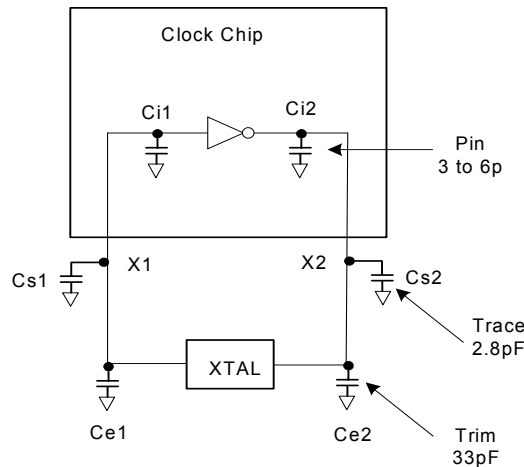


Figure 2. Crystal Loading Example

As mentioned previously, the capacitance on each side of the crystal is in series with the crystal. This mean the total capacitance on each side of the crystal must be twice the specified load capacitance (CL). While the capacitance on each side of the crystal is in series with the crystal, trim capacitors (Ce1,Ce2) should be calculated to provide equal capacitance loading on both sides.

Use the following formulas to calculate the trim capacitor values for Ce1 and Ce2.

**Load Capacitance (each side)**

$$C_e = 2 * CL - (C_s + C_i)$$

**Total Capacitance (as seen by the crystal)**

$$CL_e = \frac{1}{\left( \frac{1}{C_{e1} + C_{s1} + C_{i1}} + \frac{1}{C_{e2} + C_{s2} + C_{i2}} \right)}$$

- CL.....Crystal load capacitance
- CL<sub>e</sub>.....Actual loading seen by crystal using standard value trim capacitors
- C<sub>e</sub>..... External trim capacitors
- C<sub>s</sub>..... Stray capacitance (terraced)
- C<sub>i</sub>..... Internal capacitance (lead frame, bond wires etc.)
- CL.....Crystal load capacitance
- CL<sub>e</sub>.....Actual loading seen by crystal using standard value trim capacitors
- C<sub>e</sub>..... External trim capacitors
- C<sub>s</sub>..... Stray capacitance (terraced)
- C<sub>i</sub>..... Internal capacitance (lead frame, bond wires etc.)



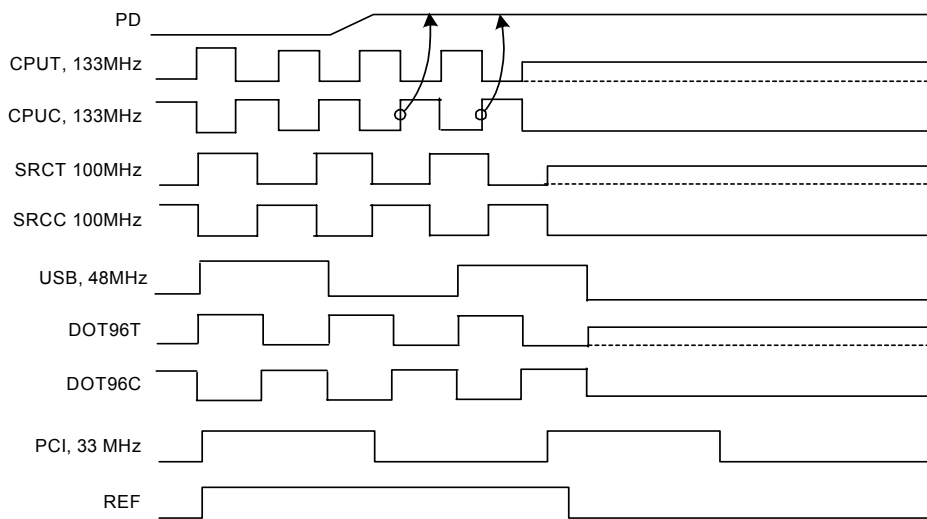
### PD (Power-down) Clarification

The VTT\_PWRGD# /PD pin is a dual function pin. During initial power-up, the pin functions as VTT\_PWRGD#. Once VTT\_PWRGD# has been sampled low by the clock chip, the pin assumes PD functionality. The PD pin is an asynchronous active high input used to shut off all clocks cleanly prior to shutting off power to the device. This signal is synchronized internal to the device prior to powering down the clock synthesizer. PD is also an asynchronous input for powering up the system. When PD is asserted high, all clocks need to be driven to a low value and held prior to turning off the VCOs and the crystal oscillator.

### PD (Power-down) – Assertion

When PD is sampled high by two consecutive rising edges of CPUC, all single-ended outputs will be held low on their next

high to low transition and differential clocks must held high or Hi-Zd (depending on the state of the control register drive mode bit) on the next diff clock# high to low transition within four clock periods. When the SMBus PD drive mode bit corresponding to the differential (CPU, SRC, and DOT) clock output of interest is programmed to '0', the clock output are held with "Diff clock" pin driven high at 2 x Iref, and "Diff clock#" tri-state. If the control register PD drive mode bit corresponding to the output of interest is programmed to "1", then both the "Diff clock" and the "Diff clock#" are tristate. Note the example below shows CPUT = 133 MHz and PD drive mode = '1' for all differential outputs. This diagram and description is applicable to valid CPU frequencies 100,133,166,200,266,333 and 400MHz. In the event that PD mode is desired as the initial power-on state, PD must be asserted high in less than 10 uS after asserting Vtt\_PwrGd#.

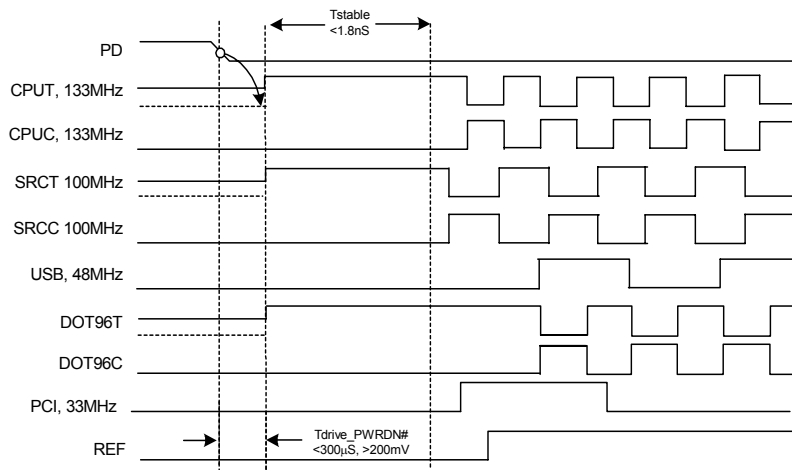


**Figure 3. Power-down Assertion Timing Waveform**

### PD Deassertion

The power-up latency is less than 1.8 ms. This is the time from the deassertion of the PD pin or the ramping of the power supply until the time that stable clocks are output from the clock chip. All differential outputs stopped in a three-state

condition resulting from power down will be driven high in less than 300 μs of PD deassertion to a voltage greater than 200 mV. After the clock chip's internal PLL is powered up and locked, all outputs will be enabled within a few clock cycles of each other. Below is an example showing the relationship of clocks coming up.

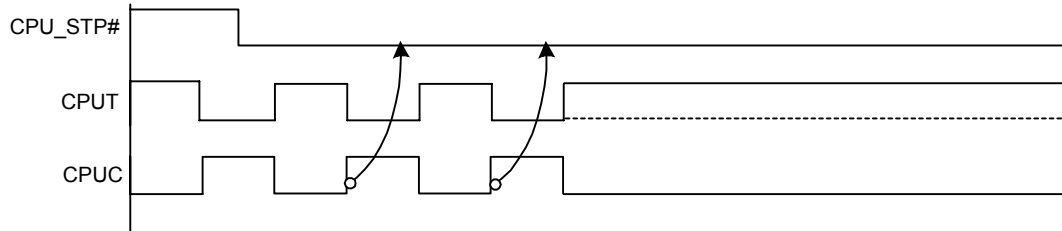


**Figure 4. Power-down Deassertion Timing Waveform**

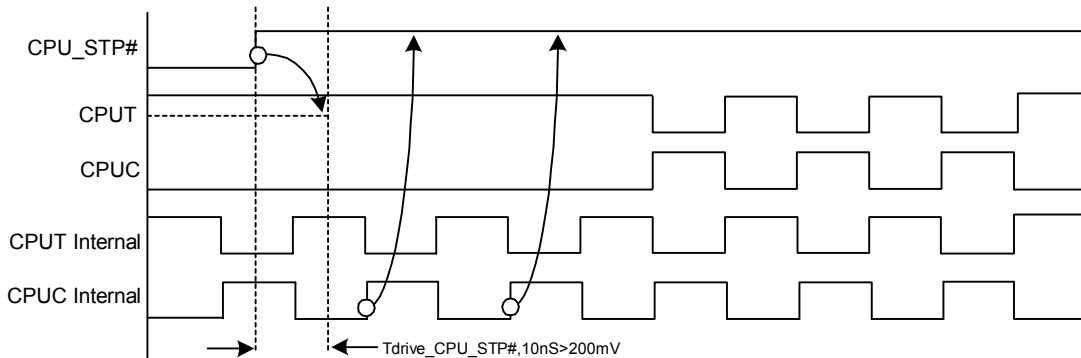
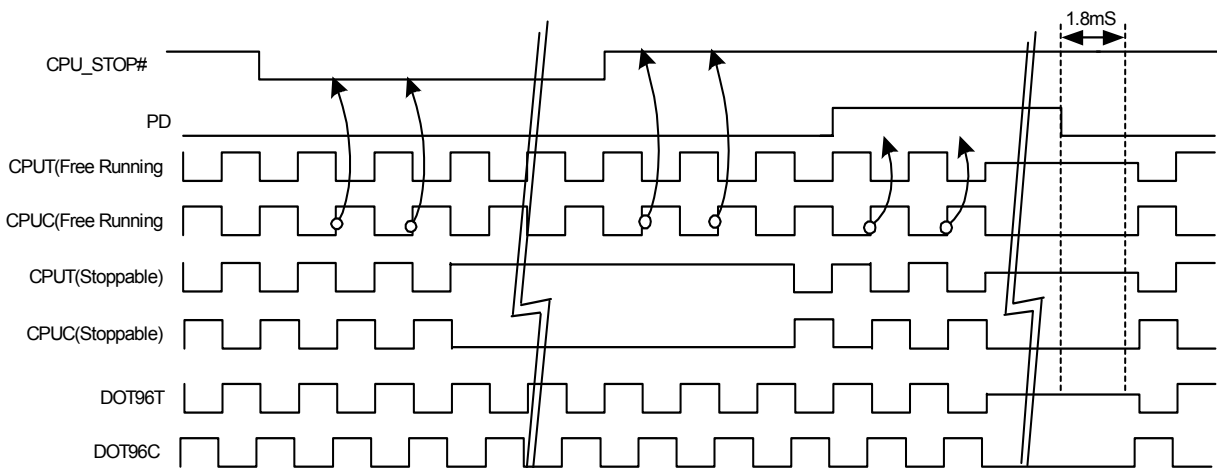
**CPU\_STP# Assertion**

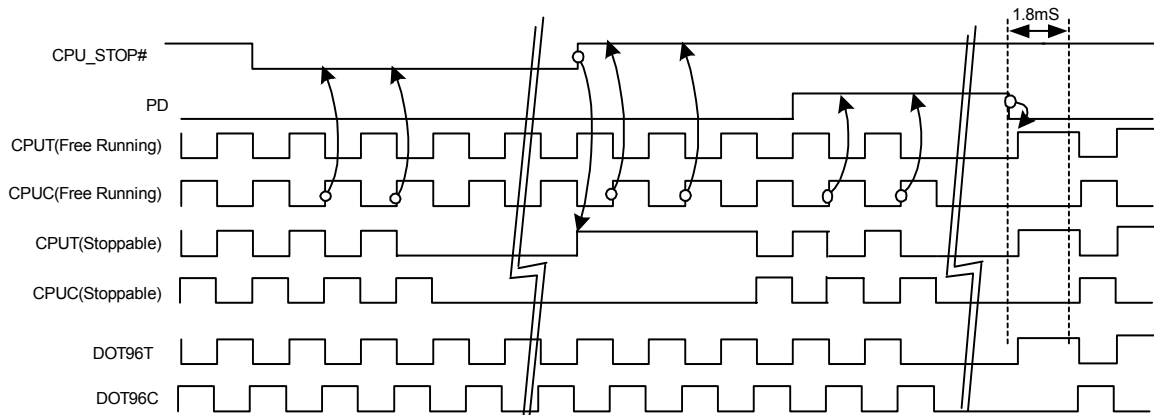
The CPU\_STP# signal is an active low input used for synchronous stopping and starting the CPU output clocks while the rest of the clock generator continues to function. When the CPU\_STP# pin is asserted, all CPU outputs that are set with the SMBus configuration to be stoppable via assertion of CPU\_STP# will be stopped within two–six CPU clock

periods after being sampled by two rising edges of the internal CPUC clock. The final states of the stopped CPU signals are CPUT = HIGH and CPUC = LOW. There is no change to the output drive current values during the stopped state. The CPUT is driven HIGH with a current value equal to 6 x (Iref), and the CPUC signal will be Hi-Z.


**Figure 5. CPU\_STP# Assertion Waveform**
**CPU\_STP# Deassertion**

The deassertion of the CPU\_STP# signal will cause all CPU outputs that were stopped to resume normal operation in a synchronous manner. Synchronous manner meaning that no short or stretched clock pulses will be produced when the clock resumes. The maximum latency from the deassertion to active outputs is no more than two CPU clock cycles.


**Figure 6. CPU\_STP# Deassertion Waveform**

**Figure 7. CPU\_STP# = Driven, CPU\_PD = Driven, DOT\_PD = Driven**

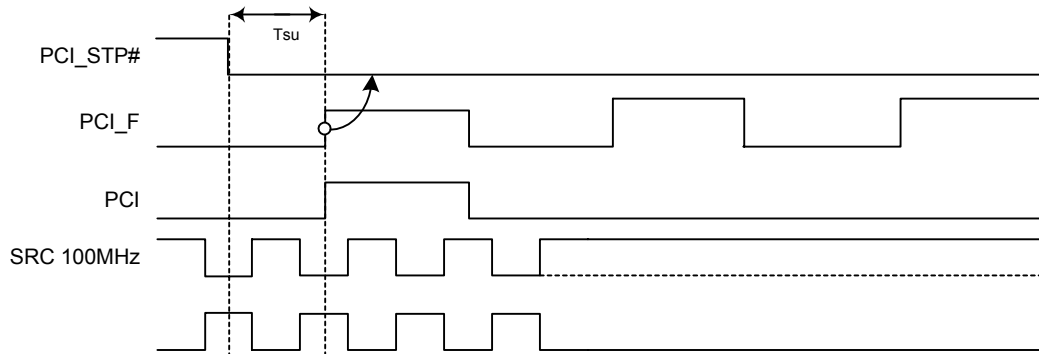


**Figure 8. CPU\_STOP# = Hi-Z, CPU\_PD = Hi-Z, DOT\_PD = tHi-Z**

### PCI\_STOP# Assertion<sup>[1]</sup>

The PCI\_STOP# signal is an active LOW input used for synchronous stopping and starting the PCI outputs while the rest of the clock generator continues to function. The set-up

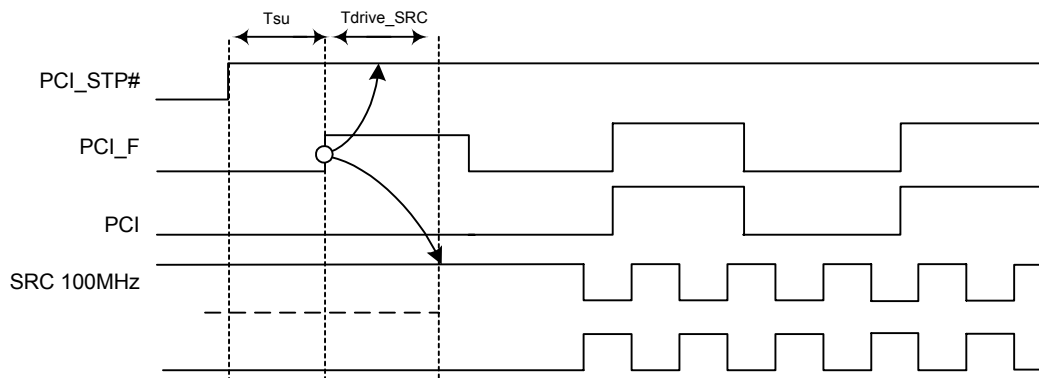
time for capturing PCI\_STOP# going LOW is 10 ns ( $t_{SU}$ ). (See Figure 9.) The PCIF clocks will not be affected by this pin if their corresponding control bit in the SMBus register is set to allow them to be free running.



**Figure 9. PCI\_STOP# Assertion Waveform**

### PCI\_STOP# Deassertion

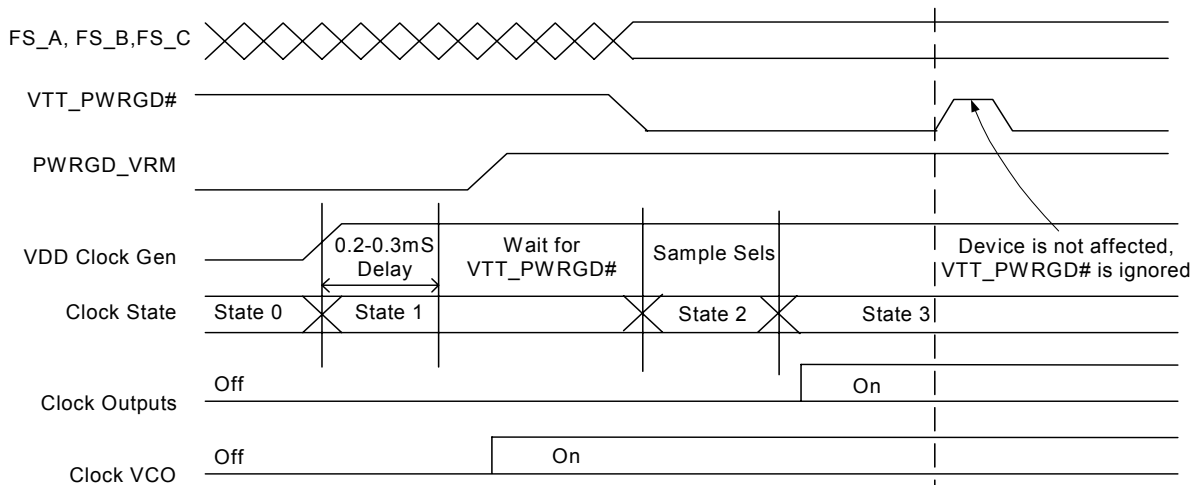
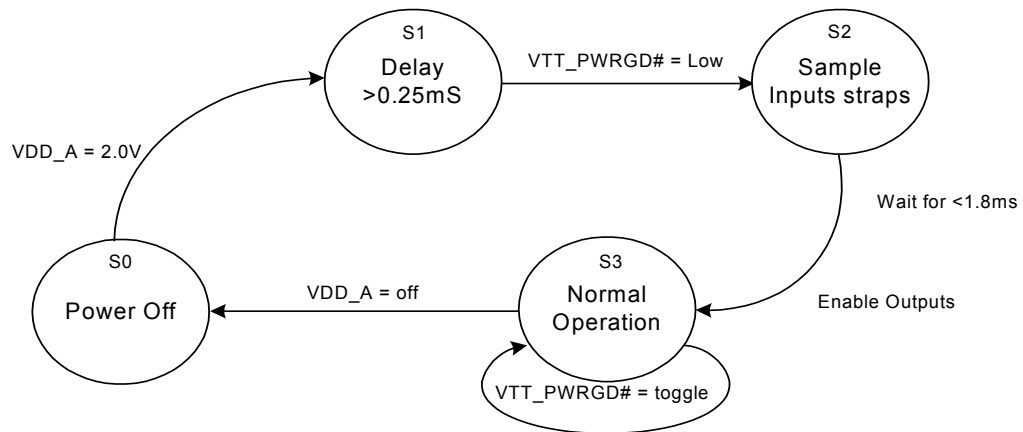
The deassertion of the PCI\_STOP# signal will cause all PCI and stoppable PCIF clocks to resume running in a synchronous manner within two PCI clock periods after PCI\_STOP# transitions to a high level.



**Figure 10. PCI\_STOP# Deassertion Waveform**

**Note:**

1. The PCI STOP function is controlled by two inputs. One is the device PCI\_STOP# pin number 34 and the other is SMBus byte 0 bit 3. These two inputs are logically OR'ed. If either the external pin or the internal SMBus register bit is set low then the stoppable PCI clocks will be stopped in a logic low state. Reading SMBus Byte 0 Bit 3 will return a 0 value if either of these control bits are set LOW thereby indicating the device's stoppable PCI clocks are not running.


**Figure 11. VTT\_PWRGD# Timing Diagram**

**Figure 12. Clock Generator Power-up/Run State Diagram**

**Absolute Maximum Conditions**

| Parameter          | Description  | Condition                   | Min.  | Max.                  | Unit |
|--------------------|--|-----------------------------|-------|-----------------------|------|
| V <sub>DD</sub>    | Core Supply Voltage  |                             | -0.5  | 4.6                   | V    |
| V <sub>DD_A</sub>  | Analog Supply Voltage  |                             | -0.5  | 4.6                   | V    |
| V <sub>IN</sub>    | Input Voltage  | Relative to V <sub>SS</sub> | -0.5  | V <sub>DD</sub> + 0.5 | VDC  |
| T <sub>S</sub>     | Temperature, Storage   | Non-functional              | -65   | 150                   | °C   |
| T <sub>A</sub>     | Temperature, Operating Ambient                                 | Functional                  | 0     | 85                    | °C   |
| T <sub>J</sub>     | Temperature, Junction  | Functional                  | -     | 150                   | °C   |
| ∅ <sub>JC</sub>    | Dissipation, Junction to Case<br>(Mil-Spec 883E Method 1012.1) | SSOP                        | 39.56 |                       | °C/W |
|                    |  | TSSOP                       | 20.62 |                       |      |
| ∅ <sub>JA</sub>    | Dissipation, Junction to Ambient<br>JEDEC (JESD 51)            | SSOP                        | 45.29 |                       | °C/W |
|                    |  | TSSOP                       | 62.26 |                       |      |
| ESD <sub>HBM</sub> | ESD Protection (Human Body Model)                              | MIL-STD-883, Method 3015    | 2000  | -                     | V    |
| UL-94              | Flammability Rating  | At 1/8 in.                  | V-0   |                       |      |
| MSL                | Moisture Sensitivity Level                                     |                             | 1     |                       |      |

**Multiple Supplies:** The voltage on any input or I/O pin cannot exceed the power pin during power-up. Power supply sequencing is NOT required.

**DC Electrical Specifications**

| Parameter  | Description                   | Condition  | Min.                  | Max.                  | Unit |
|--|-------------------------------|--|-----------------------|-----------------------|------|
| V <sub>DD_A</sub> ,<br>V <sub>DD_REF</sub> ,<br>V <sub>DD_PCI</sub> ,<br>V <sub>DD_3V66</sub> ,<br>V <sub>DD_48</sub> ,<br>V <sub>DD_CPU</sub> | 3.3V Operating Voltage        | 3.3 ± 5%   | 3.135                 | 3.465                 | V    |
| V <sub>IL2C</sub>  | Input Low Voltage             | SDATA, SCLK  | -                     | 1.0                   | V    |
| V <sub>IH2C</sub>  | Input High Voltage            | SDATA, SCLK  | 2.2                   | -                     | V    |
| V <sub>IL_FS</sub>   | FS_A/FS_B Input Low Voltage   |  | V <sub>SS</sub> - 0.3 | 0.35                  | V    |
| V <sub>IH_FS</sub>   | FS_A/FS_B Input High Voltage  |  | 0.7                   | V <sub>DD</sub> + 0.5 | V    |
| V <sub>ILFS_C</sub>  | FS_C Low Range                |  | 0                     | 0.35                  | V    |
| V <sub>IMFS_C</sub>  | FS_C Mid Range                |  | 0.7                   | 1.7                   | V    |
| V <sub>IHFS_C</sub>  | FS_C High Range               |  | 2.1                   | V <sub>DD</sub>       | V    |
| V <sub>IL</sub>  | 3.3V Input Low Voltage        |  | V <sub>SS</sub> - 0.5 | 0.8                   | V    |
| V <sub>IH</sub>  | 3.3V Input High Voltage       |  | 2.0                   | V <sub>DD</sub> + 0.5 | V    |
| I <sub>IL</sub>  | Input Low Leakage Current     | except internal pull-up resistors, 0 < V <sub>IN</sub> < V <sub>DD</sub>   | -5                    | -                     | μA   |
| I <sub>IH</sub>  | Input High Leakage Current    | except internal pull-down resistors, 0 < V <sub>IN</sub> < V <sub>DD</sub> | -                     | 5                     | μA   |
| V <sub>OL</sub>  | 3.3V Output Low Voltage       | I <sub>OL</sub> = 1 mA   | -                     | 0.4                   | V    |
| V <sub>OH</sub>  | 3.3V Output High Voltage      | I <sub>OH</sub> = -1 mA  | 2.4                   | -                     | V    |
| I <sub>OZ</sub>  | High-impedance Output Current |  | -10                   | 10                    | μA   |
| C <sub>IN</sub>  | Input Pin Capacitance         |  | 2                     | 5                     | pF   |
| C <sub>OUT</sub>   | Output Pin Capacitance        |  | 3                     | 6                     | pF   |
| L <sub>IN</sub>  | Pin Inductance                |  | -                     | 7                     | nH   |
| V <sub>XIH</sub>   | Xin High Voltage              |  | 0.7V <sub>DD</sub>    | V <sub>DD</sub>       | V    |
| V <sub>XIL</sub>   | Xin Low Voltage               |  | 0                     | 0.3V <sub>DD</sub>    | V    |
| I <sub>DD3.3V</sub>  | Dynamic Supply Current        | At max. load and freq. per <i>Figure 14</i>                                | -                     | 550                   | mA   |
| I <sub>PD3.3V</sub>  | Power-down Supply Current     | PD asserted, Outputs driven  | -                     | 70                    | mA   |
| I <sub>PD3.3V</sub>  | Power-down Supply Current     | PD asserted, Outputs Hi-Z  | -                     | 2                     | mA   |

**AC Electrical Specifications**

| Parameter                       | Description                                | Condition   | Min.     | Max.                    | Unit |
|---------------------------------|--|---|----------|-------------------------|------|
| <b>Crystal</b>                  |  |   |          |                         |      |
| T <sub>DC</sub>                 | XIN Duty Cycle                             | The device will operate reliably with input duty cycles up to 30/70 but the REF clock duty cycle will not be within specification | 47.5     | 52.5                    | %    |
| T <sub>PERIOD</sub>             | XIN Period                                 | When XIN is driven from an external clock source  | 69.841   | 71.0                    | ns   |
| T <sub>R</sub> / T <sub>F</sub> | XIN Rise and Fall Times                    | Measured between 0.3V <sub>DD</sub> and 0.7V <sub>DD</sub>  | –        | 10.0                    | ns   |
| T <sub>CCJ</sub>                | XIN Cycle to Cycle Jitter                  | As an average over 1- $\mu$ s duration  | –        | 500                     | ps   |
| L <sub>ACC</sub>                | Long-term Accuracy                         | Over 150 ms   | –        | 300                     | ppm  |
| <b>CPU at 0.7V</b>              |  |   |          |                         |      |
| T <sub>DC</sub>                 | CPUT and CPUC Duty Cycle                   | Measured at crossing point V <sub>OX</sub>  | 45       | 55                      | %    |
| T <sub>PERIOD</sub>             | 100-MHz CPUT and CPUC Period               | Measured at crossing point V <sub>OX</sub>  | 9.997001 | 10.00300                | ns   |
| T <sub>PERIOD</sub>             | 133-MHz CPUT and CPUC Period               | Measured at crossing point V <sub>OX</sub>  | 7.497751 | 7.502251                | ns   |
| T <sub>PERIODSS</sub>           | 100-MHz CPUT and CPUC Period, SSC          | Measured at crossing point V <sub>OX</sub>  | 9.997001 | 10.05327                | ns   |
| T <sub>PERIODSS</sub>           | 133-MHz CPUT and CPUC Period, SSC          | Measured at crossing point V <sub>OX</sub>  | 7.497751 | 7.539950                | ns   |
| T <sub>PERIODAbs</sub>          | 100-MHz CPUT and CPUC Absolute period      | Measured at crossing point V <sub>OX</sub>  | 9.912001 | 10.08800                | ns   |
| T <sub>PERIODAbs</sub>          | 133-MHz CPUT and CPUC Absolute period      | Measured at crossing point V <sub>OX</sub>  | 7.412751 | 7.587251                | ns   |
| T <sub>PERIODSSAbs</sub>        | 100-MHz CPUT and CPUC Absolute period, SSC | Measured at crossing point V <sub>OX</sub>  | 9.912001 | 10.13827                | ns   |
| T <sub>PERIODSSAbs</sub>        | 133-MHz CPUT and CPUC Absolute period, SSC | Measured at crossing point V <sub>OX</sub>  | 7.412751 | 7.624950                | ns   |
| T <sub>CCJ</sub>                | CPUT/C Cycle to Cycle Jitter               | Measured at crossing point V <sub>OX</sub>  | –        | 85                      | ps   |
| T <sub>CCJ2</sub>               | CPU2_ITP Cycle to Cycle Jitter             | Measured at crossing point V <sub>OX</sub>  | –        | 125                     | ps   |
| T <sub>SKEW2</sub>              | CPU2_ITP to CPU0 Clock Skew                | Measured at crossing point V <sub>OX</sub>  | –        | 150                     | ps   |
| T <sub>R</sub> / T <sub>F</sub> | CPUT and CPUC Rise and Fall Times          | Measured from V <sub>OL</sub> = 0.175 to V <sub>OH</sub> = 0.525V   | 175      | 700                     | ps   |
| T <sub>RFM</sub>                | Rise/Fall Matching                         | Determined as a fraction of $2 * (T_R - T_F)/(T_R + T_F)$   | –        | 20                      | %    |
| $\Delta T_R$                    | Rise Time Variation                        |   | –        | 125                     | ps   |
| $\Delta T_F$                    | Fall Time Variation                        |   | –        | 125                     | ps   |
| V <sub>HIGH</sub>               | Voltage High                               | Math averages <i>Figure 14</i>  | 660      | 850                     | mV   |
| V <sub>LOW</sub>                | Voltage Low                                | Math averages <i>Figure 14</i>  | –150     | –                       | mV   |
| V <sub>OX</sub>                 | Crossing Point Voltage at 0.7V Swing       |   | 250      | 550                     | mV   |
| V <sub>OVS</sub>                | Maximum Overshoot Voltage                  |   | –        | V <sub>HIGH</sub> + 0.3 | V    |
| V <sub>UDS</sub>                | Minimum Undershoot Voltage                 |   | –0.3     | –                       | V    |
| V <sub>RB</sub>                 | Ring Back Voltage                          | See <i>Figure 14</i> . Measure SE   | –        | 0.2                     | V    |
| <b>SRC</b>                      |  |   |          |                         |      |
| T <sub>DC</sub>                 | SRCT and SRCC Duty Cycle                   | Measured at crossing point V <sub>OX</sub>  | 45       | 55                      | %    |
| T <sub>PERIOD</sub>             | 100-MHz SRCT and SRCC Period               | Measured at crossing point V <sub>OX</sub>  | 9.997001 | 10.00300                | ns   |
| T <sub>PERIODSS</sub>           | 100-MHz SRCT and SRCC Period, SSC          | Measured at crossing point V <sub>OX</sub>  | 9.997001 | 10.05327                | ns   |
| T <sub>PERIODAbs</sub>          | 100-MHz SRCT and SRCC Absolute Period      | Measured at crossing point V <sub>OX</sub>  | 10.12800 | 9.872001                | ns   |
| T <sub>PERIODSSAbs</sub>        | 100-MHz SRCT and SRCC Absolute Period, SSC | Measured at crossing point V <sub>OX</sub>  | 9.872001 | 10.17827                | ns   |
| T <sub>SKEW</sub>               | Any SRCT/C to SRCT/C Clock Skew            | Measured at crossing point V <sub>OX</sub>  | –        | 250                     | ps   |

**AC Electrical Specifications** (continued)

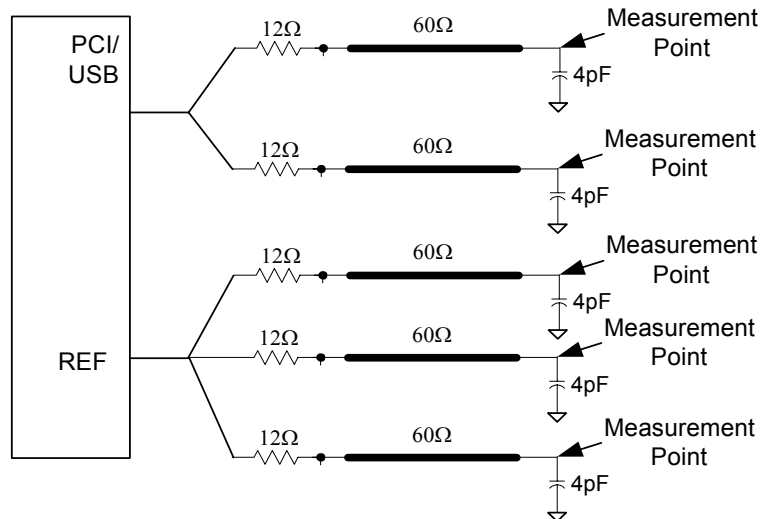
| Parameter                       | Description                           | Condition   | Min.     | Max.                    | Unit |
|---------------------------------|---------------------------------------|---|----------|-------------------------|------|
| T <sub>CCJ</sub>                | SRCT/C Cycle to Cycle Jitter          | Measured at crossing point V <sub>OX</sub>  | –        | 125                     | ps   |
| L <sub>ACC</sub>                | SRCT/C Long Term Accuracy             | Measured at crossing point V <sub>OX</sub>  | –        | 300                     | ppm  |
| T <sub>R</sub> / T <sub>F</sub> | SRCT and SRCC Rise and Fall Times     | Measured from V <sub>OL</sub> = 0.175 to V <sub>OH</sub> = 0.525V                                     | 175      | 700                     | ps   |
| T <sub>RFM</sub>                | Rise/Fall Matching                    | Determined as a fraction of 2 * (T <sub>R</sub> – T <sub>F</sub> )/(T <sub>R</sub> + T <sub>F</sub> ) | –        | 20                      | %    |
| ΔT <sub>R</sub>                 | Rise Time Variation                   |   | –        | 125                     | ps   |
| ΔT <sub>F</sub>                 | Fall Time Variation                   |   | –        | 125                     | ps   |
| V <sub>HIGH</sub>               | Voltage High                          | Math averages <i>Figure 14</i>  | 660      | 850                     | mV   |
| V <sub>LOW</sub>                | Voltage Low                           | Math averages <i>Figure 14</i>  | –150     | –                       | mV   |
| V <sub>OX</sub>                 | Crossing Point Voltage at 0.7V Swing  |   | 250      | 550                     | mV   |
| V <sub>OVS</sub>                | Maximum Overshoot Voltage             |   | –        | V <sub>HIGH</sub> + 0.3 | V    |
| V <sub>UDS</sub>                | Minimum Undershoot Voltage            |   | –0.3     | –                       | V    |
| V <sub>RB</sub>                 | Ring Back Voltage                     | See <i>Figure 14</i> . Measure SE   | –        | 0.2                     | V    |
| <b>PCI/PCIF</b>                 |                                       |   |          |                         |      |
| T <sub>DC</sub>                 | PCI Duty Cycle                        | Measurement at 1.5V   | 45       | 55                      | %    |
| T <sub>PERIOD</sub>             | Spread Disabled PCIF/PCI Period       | Measurement at 1.5V   | 29.99100 | 30.00900                | ns   |
| T <sub>PERIODSS</sub>           | Spread Enabled PCIF/PCI Period, SSC   | Measurement at 1.5V   | 29.9910  | 30.15980                | ns   |
| T <sub>PERIODAbs</sub>          | Spread Disabled PCIF/PCI Period       | Measurement at 1.5V   | 29.49100 | 30.50900                | ns   |
| T <sub>PERIODSSAbs</sub>        | Spread Enabled PCIF/PCI Period, SSC   | Measurement at 1.5V   | 29.49100 | 30.65980                | ns   |
| T <sub>HIGH</sub>               | PCIF and PCI high time                | Measurement at 2.4V   | 12.0     | –                       | ns   |
| T <sub>LOW</sub>                | PCIF and PCI low time                 | Measurement at 0.4V   | 12.0     | –                       | ns   |
| T <sub>R</sub> / T <sub>F</sub> | PCIF and PCI rise and fall times      | Measured between 0.8V and 2.0V  | 1.0      | 4.0                     | V/ns |
| T <sub>SKEW</sub>               | Any PCI clock to Any PCI clock Skew   | Measurement at 1.5V   | –        | 500                     | ps   |
| T <sub>CCJ</sub>                | PCIF and PCI Cycle to Cycle Jitter    | Measurement at 1.5V   | –        | 500                     | ps   |
| <b>DOT</b>                      |                                       |   |          |                         |      |
| T <sub>DC</sub>                 | DOT96T and DOT96C Duty Cycle          | Measured at crossing point V <sub>OX</sub>  | 45       | 55                      | %    |
| T <sub>PERIOD</sub>             | DOT96T and DOT96C Period              | Measured at crossing point V <sub>OX</sub>  | 10.41354 | 10.41979                | ns   |
| T <sub>PERIODAbs</sub>          | DOT96T and DOT96C Absolute Period     | Measured at crossing point V <sub>OX</sub>  | 10.16354 | 10.66979                | ns   |
| T <sub>CCJ</sub>                | DOT96T/C Cycle to Cycle Jitter        | Measured at crossing point V <sub>OX</sub>  | –        | 250                     | ps   |
| L <sub>ACC</sub>                | DOT96T/C Long Term Accuracy           | Measured at crossing point V <sub>OX</sub>  | –        | 100                     | ppm  |
| T <sub>R</sub> / T <sub>F</sub> | DOT96T and DOT96C Rise and Fall Times | Measured from V <sub>OL</sub> = 0.175 to V <sub>OH</sub> = 0.525V                                     | 175      | 700                     | ps   |
| T <sub>RFM</sub>                | Rise/Fall Matching                    | Determined as a fraction of 2 * (T <sub>R</sub> – T <sub>F</sub> )/(T <sub>R</sub> + T <sub>F</sub> ) | –        | 20                      | %    |
| ΔT <sub>R</sub>                 | Rise Time Variation                   |   | –        | 125                     | ps   |
| ΔT <sub>F</sub>                 | Fall Time Variation                   |   | –        | 125                     | ps   |
| V <sub>HIGH</sub>               | Voltage High                          | Math averages <i>Figure 14</i>  | 660      | 850                     | mV   |
| V <sub>LOW</sub>                | Voltage Low                           | Math averages <i>Figure 14</i>  | –150     | –                       | mV   |
| V <sub>OX</sub>                 | Crossing Point Voltage at 0.7V Swing  |   | 250      | 550                     | mV   |
| V <sub>OVS</sub>                | Maximum Overshoot Voltage             |   | –        | V <sub>HIGH</sub> + 0.3 | V    |
| V <sub>UDS</sub>                | Minimum Undershoot Voltage            |   | –0.3     | –                       | V    |
| V <sub>RB</sub>                 | Ring Back Voltage                     | See <i>Figure 14</i> . Measure SE   | –        | 0.2                     | V    |
| <b>USB</b>                      |                                       |   |          |                         |      |
| T <sub>DC</sub>                 | Duty Cycle                            | Measurement at 1.5V   | 45       | 55                      | %    |

**AC Electrical Specifications** (continued)

| Parameter                        | Description                       | Condition                      | Min.     | Max.     | Unit |
|----------------------------------|-----------------------------------|--------------------------------|----------|----------|------|
| T <sub>PERIOD</sub>              | Period                            | Measurement at 1.5V            | 20.83125 | 20.83542 | ns   |
| T <sub>PERIODAbs</sub>           | Absolute Period                   | Measurement at 1.5V            | 20.48125 | 21.18542 | ns   |
| T <sub>HIGH</sub>                | USB high time                     | Measurement at 2.4V            | 8.094    | 10.036   | ns   |
| T <sub>LOW</sub>                 | USB low time                      | Measurement at 0.4V            | 7.694    | 9.836    | ns   |
| T <sub>R</sub> / T <sub>F</sub>  | Rise and Fall Times               | Measured between 0.8V and 2.0V | 1.0      | 2.0      | V/ns |
| T <sub>CCJ</sub>                 | Cycle to Cycle Jitter             | Measurement at 1.5V            | –        | 350      | ps   |
| <b>REF</b>                       |                                   |                                |          |          |      |
| T <sub>DC</sub>                  | REF Duty Cycle                    | Measurement at 1.5V            | 45       | 55       | %    |
| T <sub>PERIOD</sub>              | REF Period                        | Measurement at 1.5V            | 69.8203  | 69.8622  | ns   |
| T <sub>PERIODAbs</sub>           | REF Absolute Period               | Measurement at 1.5V            | 68.82033 | 70.86224 | ns   |
| T <sub>R</sub> / T <sub>F</sub>  | REF Rise and Fall Times           | Measured between 0.8V and 2.0V | 1.0      | 4.0      | V/ns |
| T <sub>CCJ</sub>                 | REF Cycle to Cycle Jitter         | Measurement at 1.5V            | –        | 1000     | ps   |
| <b>ENABLE/DISABLE and SET-UP</b> |                                   |                                |          |          |      |
| T <sub>STABLE</sub>              | Clock Stabilization from Power-up |                                | –        | 1.8      | ms   |
| T <sub>SS</sub>                  | Stopclock Set-up Time             |                                | 10.0     | –        | ns   |
| T <sub>SH</sub>                  | Stopclock Hold Time               |                                | 0        | –        | ns   |

**Test and Measurement Set-up**
**For PCI Single-ended Signals and Reference**

The following diagram shows the test load configurations for the single-ended PCI, USB, and REF output signals.

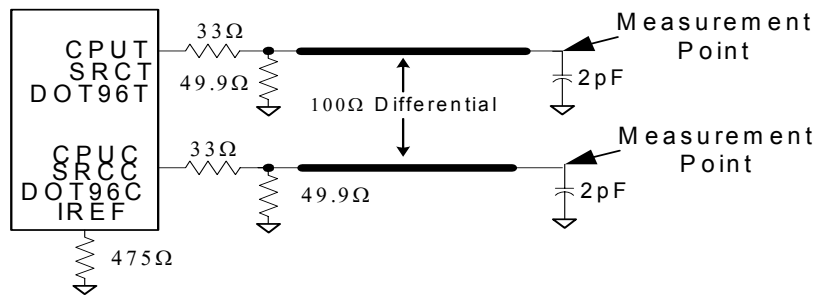


**Figure 13. Single-ended Load Configuration**

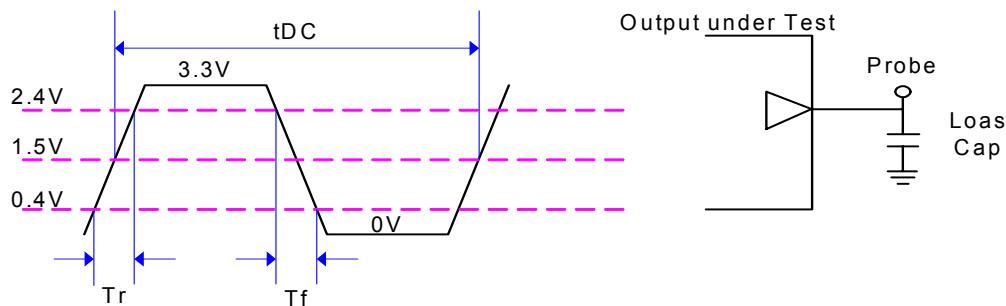


**For Differential CPU, SRC and DOT96 Output Signals**

The following diagram shows the test load configuration for the differential CPU and SRC outputs.



**Figure 14. 0.7V Single-ended Load Configuration**



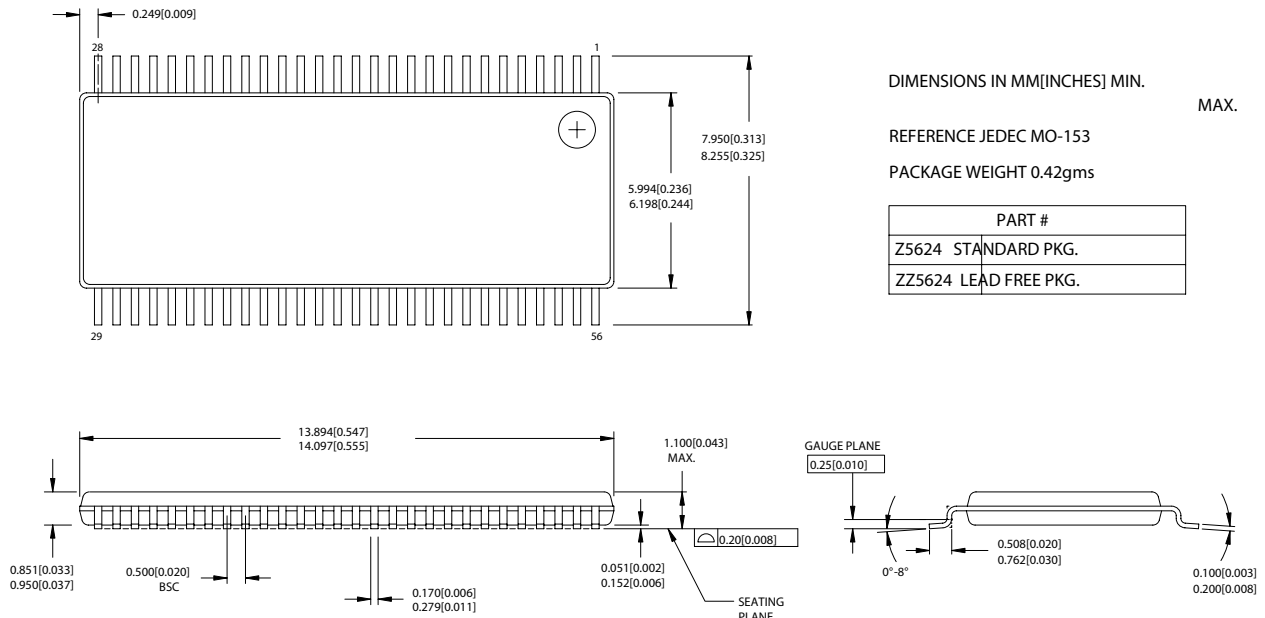
**Figure 15. Single-ended Output Signals (for AC Parameters Measurement)**

**Ordering Information**

| Part Number      | Package Type                 | Product Flow           |
|------------------|------------------------------|------------------------|
| <b>Lead-free</b> |                              |                        |
| CY28411OXC-1     | 56-pin SSOP                  | Commercial, 0° to 85°C |
| CY28411OXCT-1    | 56-pin SSOP – Tape and Reel  | Commercial, 0° to 85°C |
| CY28411ZXC-1     | 56-pin TSSOP                 | Commercial, 0° to 85°C |
| CY28411ZXCT-1    | 56-pin TSSOP – Tape and Reel | Commercial, 0° to 85°C |

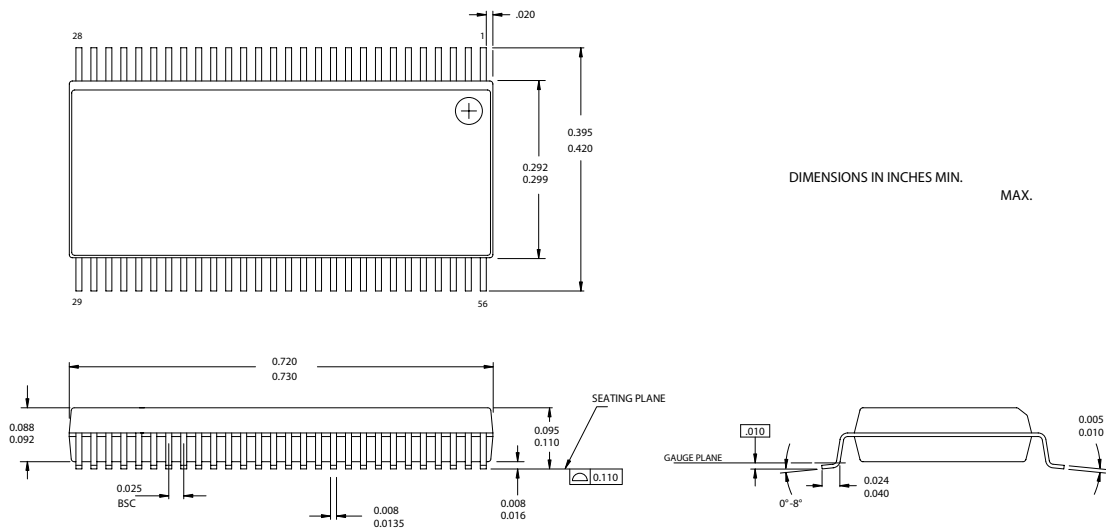
**Package Drawing and Dimensions**

**56-Lead Thin Shrunk Small Outline Package, Type II (6 mm x 12 mm) Z56**



51-85060-°C

**56-Lead Shrunk Small Outline Package O56**



51-85062-°C

Purchase of I<sup>2</sup>C components from Cypress or one of its sublicensed Associated Companies conveys a license under the Philips I<sup>2</sup>C Patent Rights to use these components in an I<sup>2</sup>C system, provided that the system conforms to the I<sup>2</sup>C Standard Specification as defined by Philips. Intel and Pentium are registered trademarks of Intel Corporation. All product and company names mentioned in this document are the trademarks of their respective holders.

**Document History Page**

| <b>Document Title: CY28411-1 Clock Generator for Intel® Alviso Chipset</b> |                |                   |                        |  |
|--|----------------|-------------------|------------------------|--|
| <b>Document Number: 38-07694</b>   |                |                   |                        |  |
| <b>REV.</b>  | <b>ECN NO.</b> | <b>Issue Date</b> | <b>Orig. of Change</b> | <b>Description of Change</b>   |
| **   | 246811         | See ECN           | RGL                    | New data sheet   |
| *A   | 299753         | See ECN           | RGL                    | Corrected the Operating Ambient Temp from 0 to 85°C to 0 to 70°C                   |
| *B   | 331934         | See ECN           | RGL                    | Minor Change: Pls. ignore the changes in Rev *A - Ambient Temp. remained 0 to 85°C |